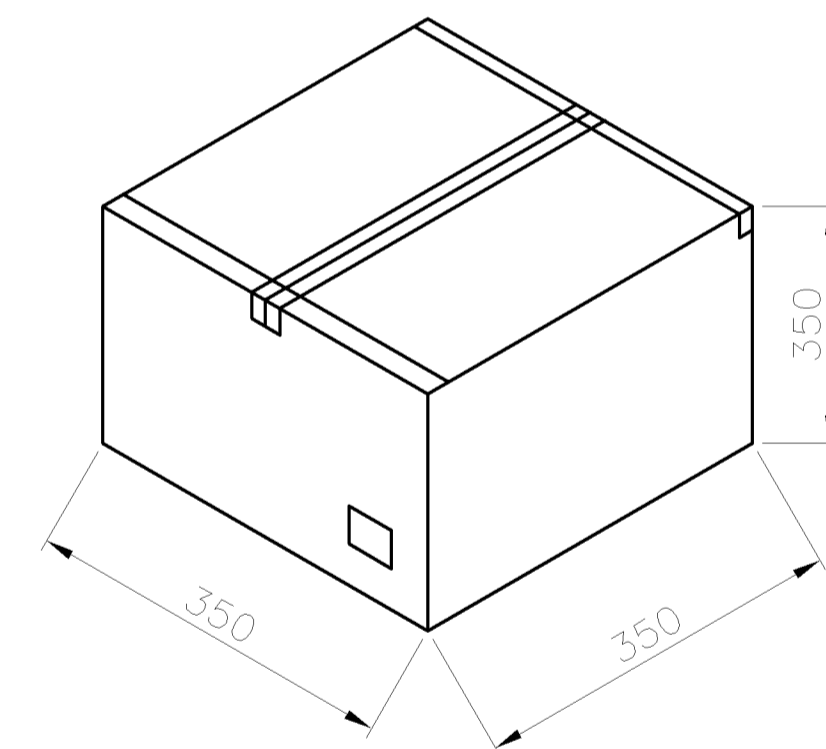
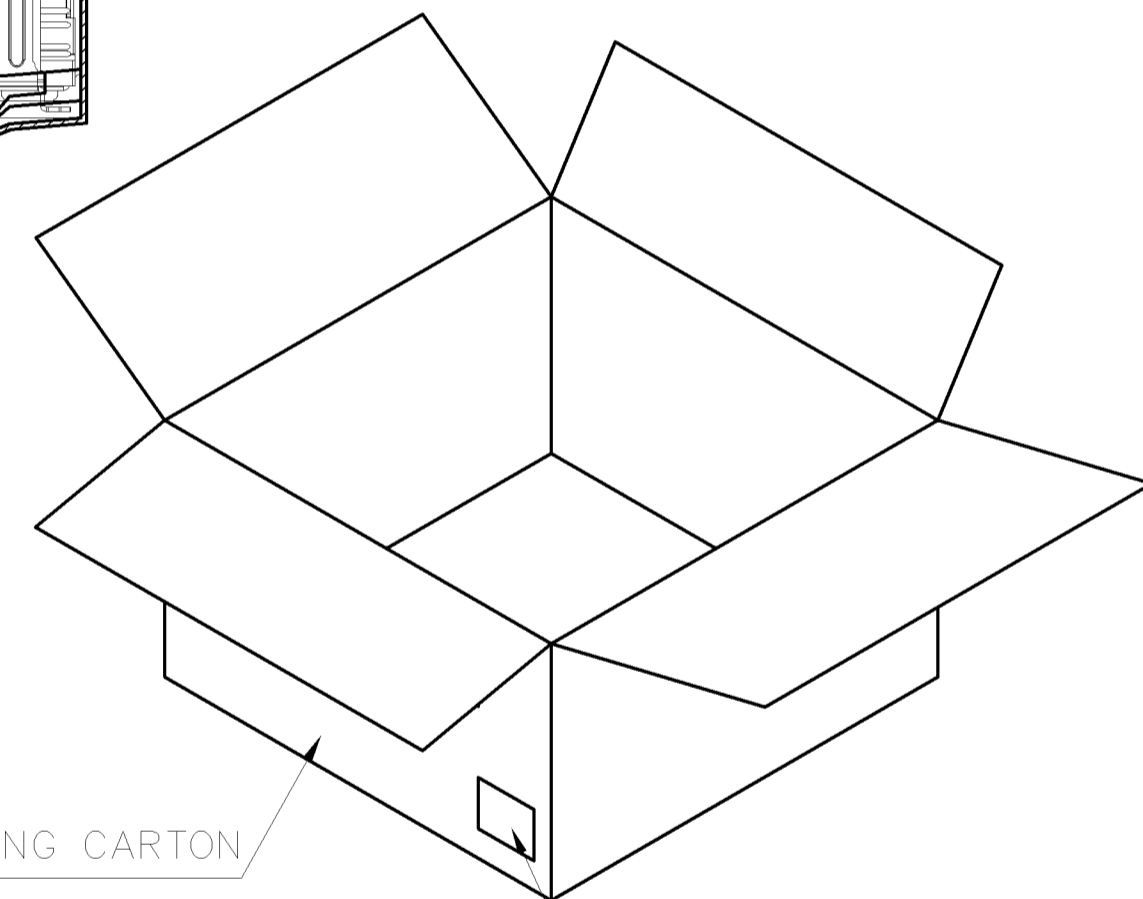
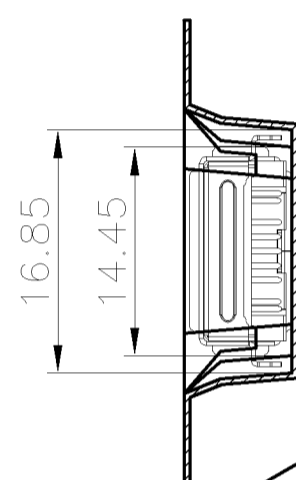
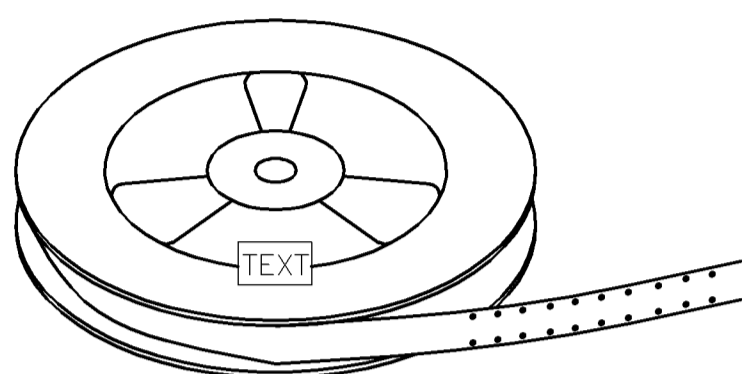
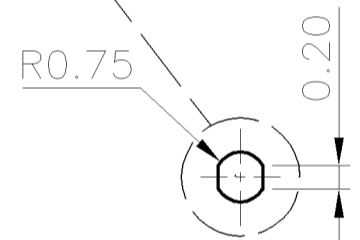
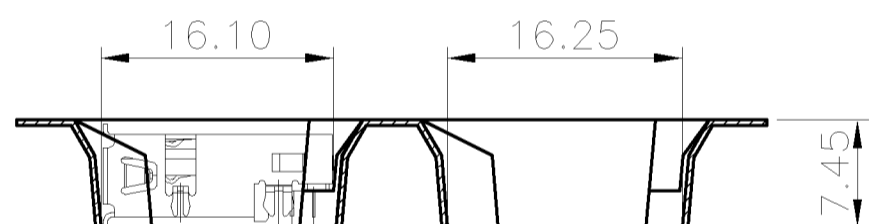
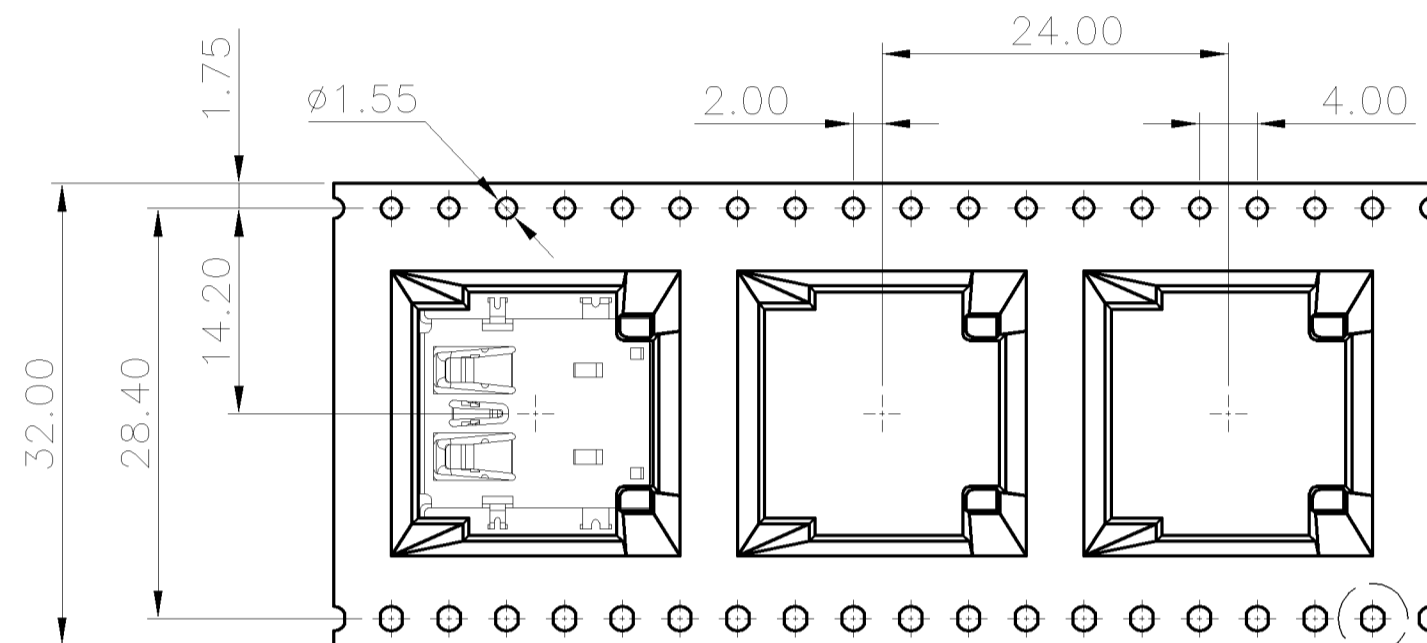
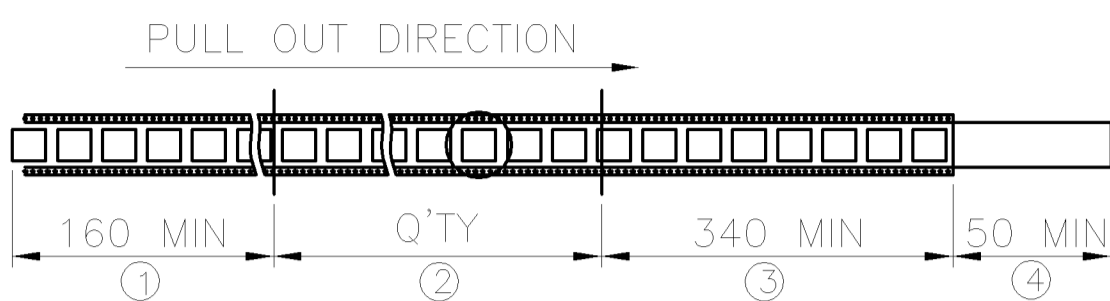
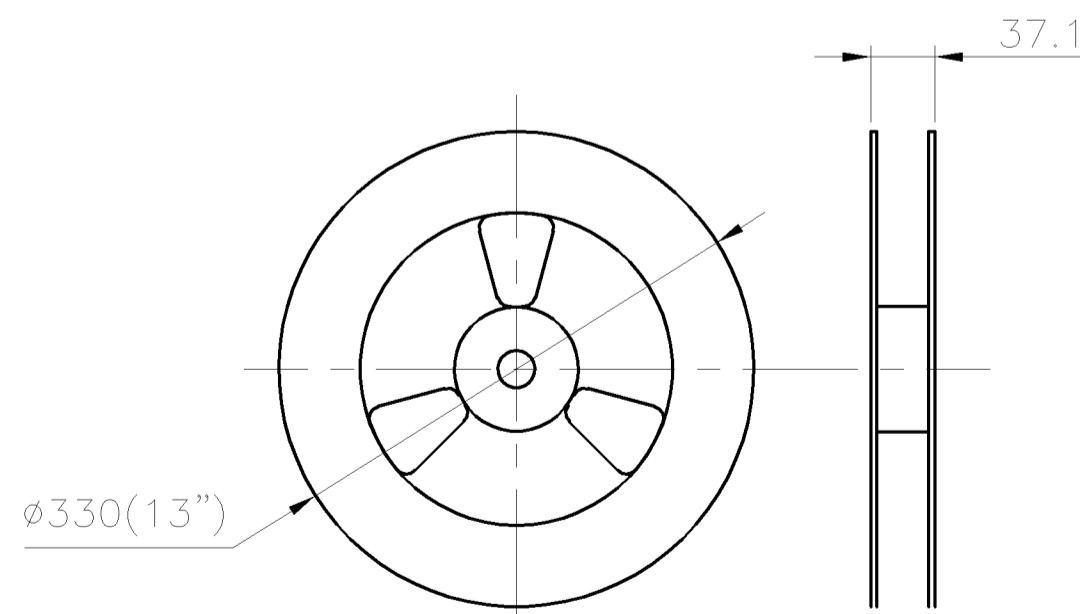


LOC DW DIST

REVISIONS					
P	LTR	DESCRIPTION	DATE	DWN	APVD
	-	SEE SHEET 1.	-	-	-



- NOTES:
- MATERIAL:
REEL: PS.
CARRIER: PS.
COVER TAPE: PBT.
 - DIMENSION
REEL: 330mmX37.1mm
 - PEELING STRENGTH: 0.1~1.3N(10.2g~132.5g)
 - PEELING SPEED: 300MM/MIN.



9.46 Kg	4.86 Kg	300	9	2700 PCS	2041179-1
GROSS WEIGHT	NET WEIGHT	PCS/REEL	REELS /CARTON	QUANTITY	PART NUMBER

THIS DRAWING IS A CONTROLLED DOCUMENT.		DWN	Tyco Electronics Corporation Taipei, Taiwan		
DIMENSIONS: MM		CHK	NAME		
TOLERANCES UNLESS OTHERWISE SPECIFIED:		APVD	USB 3.0 STANDARD TYPE A, RECEPTACLE, CL:1.04mm		
0 PLC ± -		PRODUCT SPEC	SIZE	CAGE CODE	DRAWING NO
1 PLC ± -		APPLICATION SPEC	A3	00779	C=2041179
2 PLC ± -		WEIGHT	RESTRICTED TO		
3 PLC ± -		CUSTOMER DRAWING	SCALE	SHEET	REV
4 PLC ± -			-	2 OF 2	A
ANGLES ± -					
FINISH					