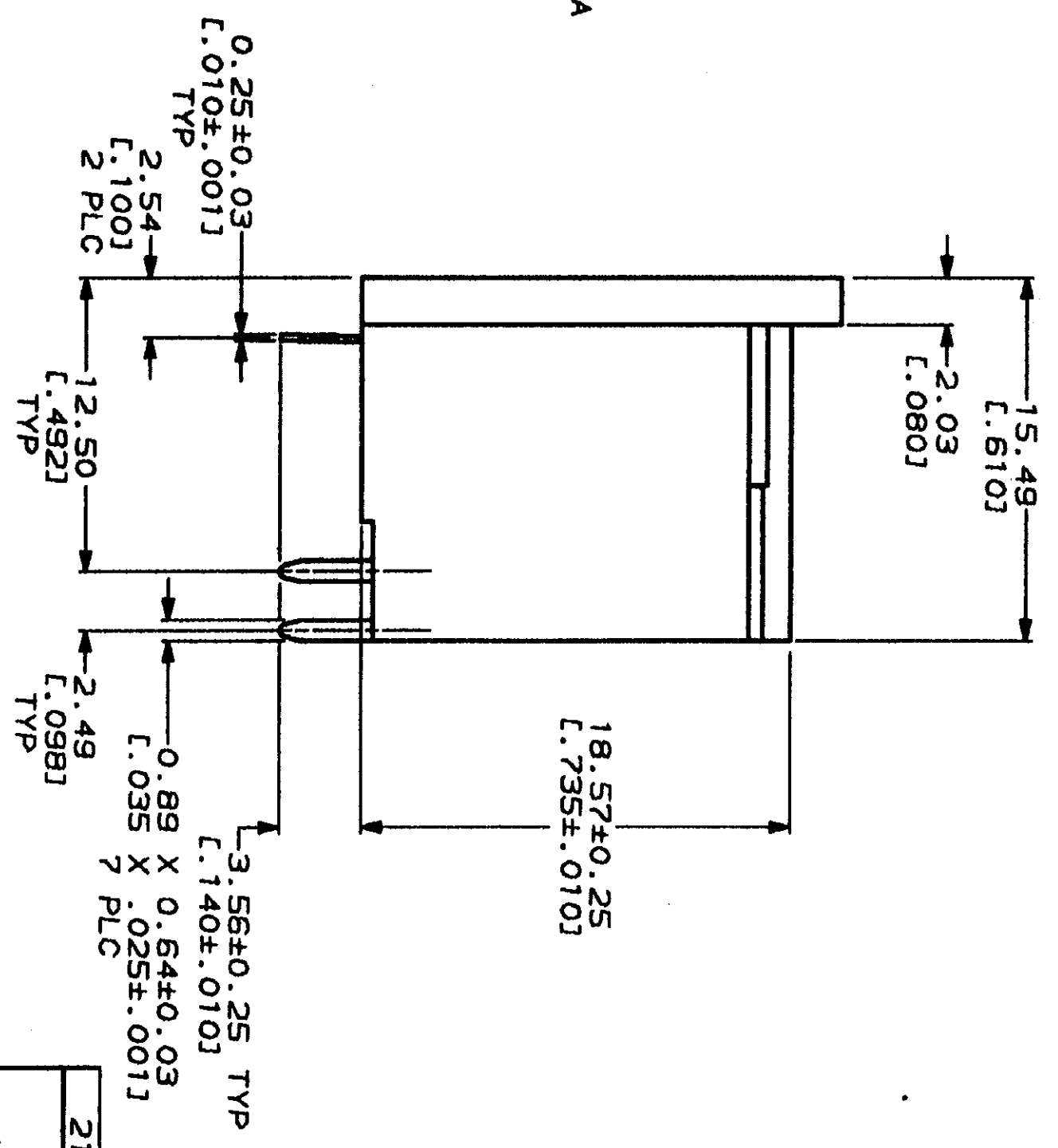
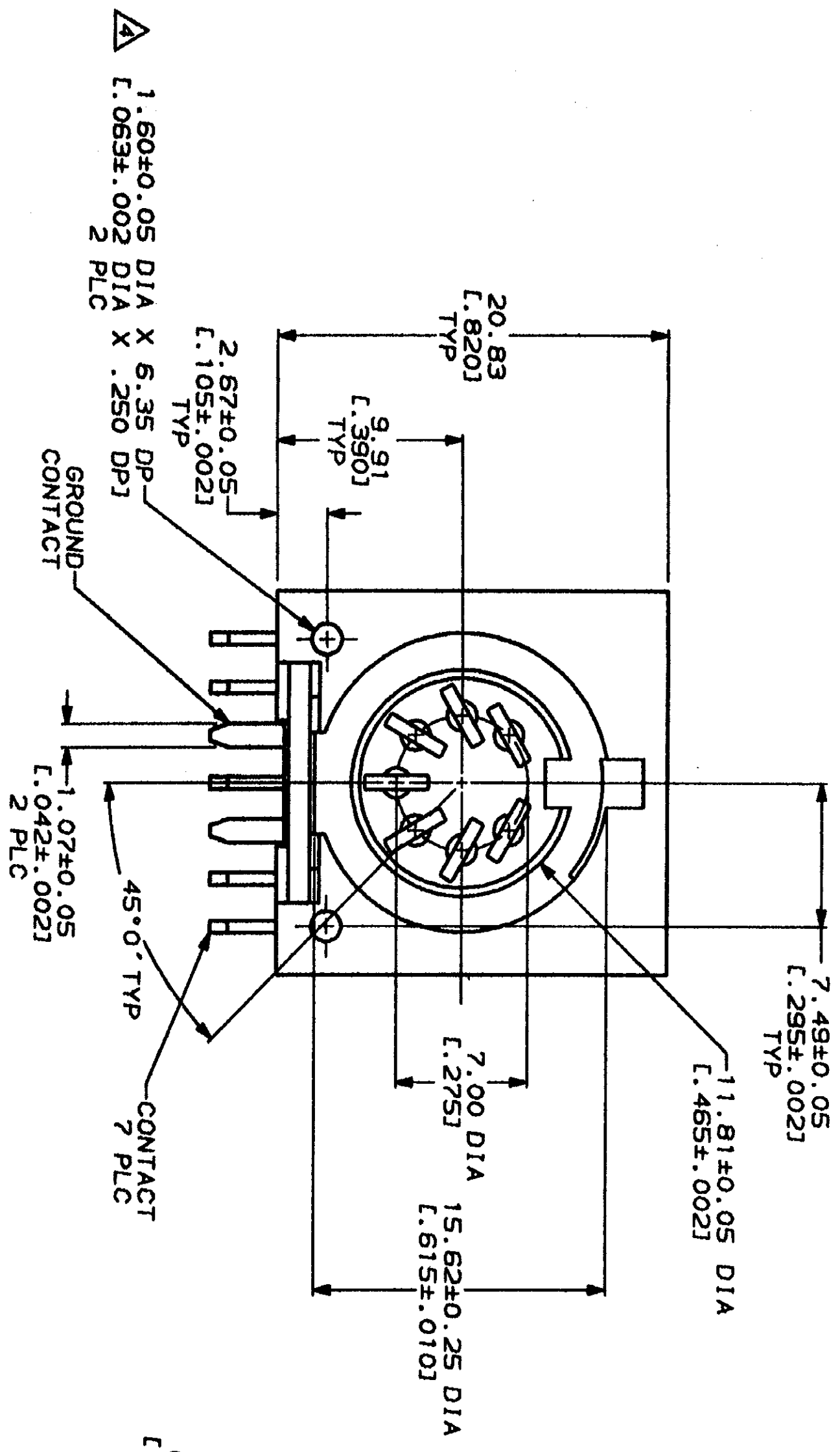
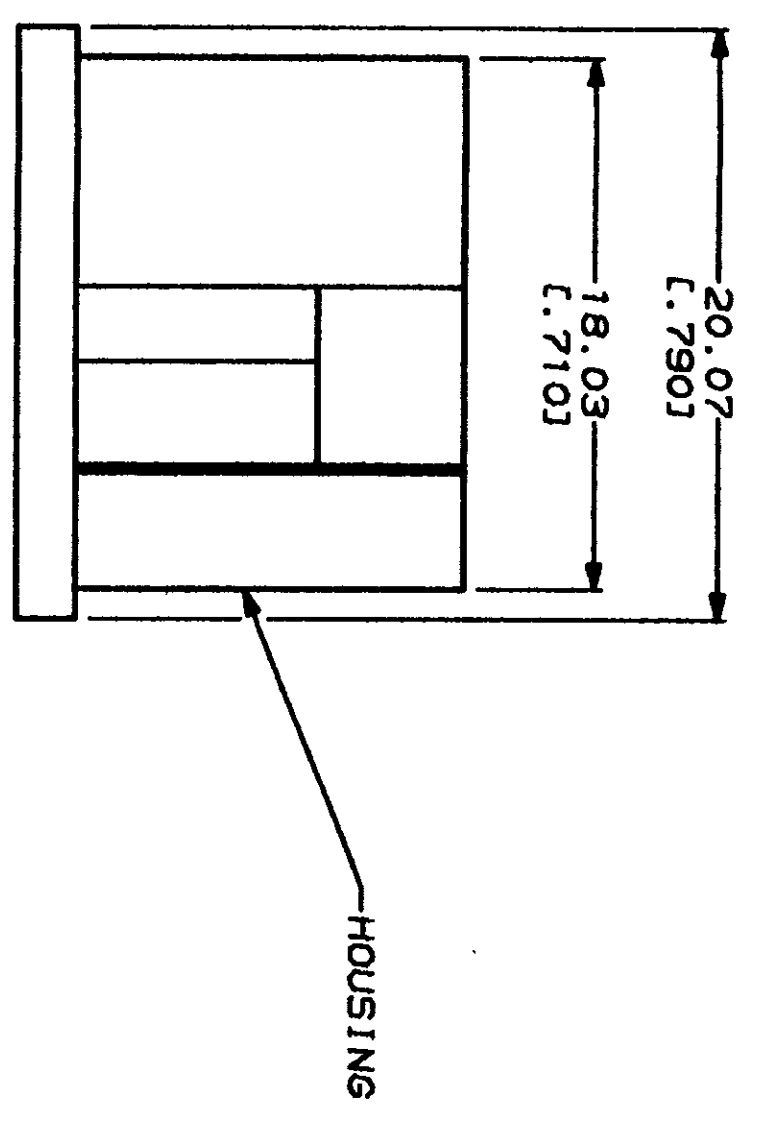


DRAWING MADE IN THIRD ANGLE PROJECTION
 THIS DRAWING IS UNPUBLISHED. RELEASED FOR PUBLICATION
 BY AMP INCORPORATED. ALL INTERNATIONAL RIGHTS RESERVED. .19



- 1. NYLON, UL 94V-0 RATED, BLACK.
- 2. 54µm L.000100J MIN TIN-LEAD OVER 1.27µm L.000050J MIN NICKEL.
- 3. TIN PLATING PER MIL-T-10727, NICKEL PLATING PER QQ-N-290.
- 4. ACCEPTS #2 SELF-TAPPING SCREW, .250 LONG REF.
- 5. MATES WITH 7 POSITION SHIELDED DIN PLUG 212437-5.
- 6. BRASS PER ASTM B36.

REV	DATE	BY	CHKD	DESCRIPTION
1	8/12/91			
2				
3				
4				
5				
6				

DO NOT SCALE PRINT. UNLESS SPECIFIED DIMENSIONS IN INCHES TOLERANCES ON: 1. PLC DEC ±0.131(.005) 2. PLC DEC ±0.131(.005) 3. PLC DEC ±0.131(.005) ANGLES		DR 8/12/91 A. STALE BE	CHK 1/1-22-91	APPD 1/22/91	NAME
MATERIAL HOUSING: 6 CONTACTS: 6 GROUND CONTACT: 6		PRODUCT SPEC 108-10047	APPLICATION SPEC 114-40025	SCALE 4:1	AMP AMP Incorporated Harrisburg, PA 17105-3608
FINISH: CONTACTS: 6 GROUND CONTACT: 6		SIZE CAGE CODE 00779	DRAWING NO 211510	RECEPTACLE ASSY, RIGHT ANGLE, 7 POSITION, CIRCULAR DIN	

PART NUMBER
211510-1

211510