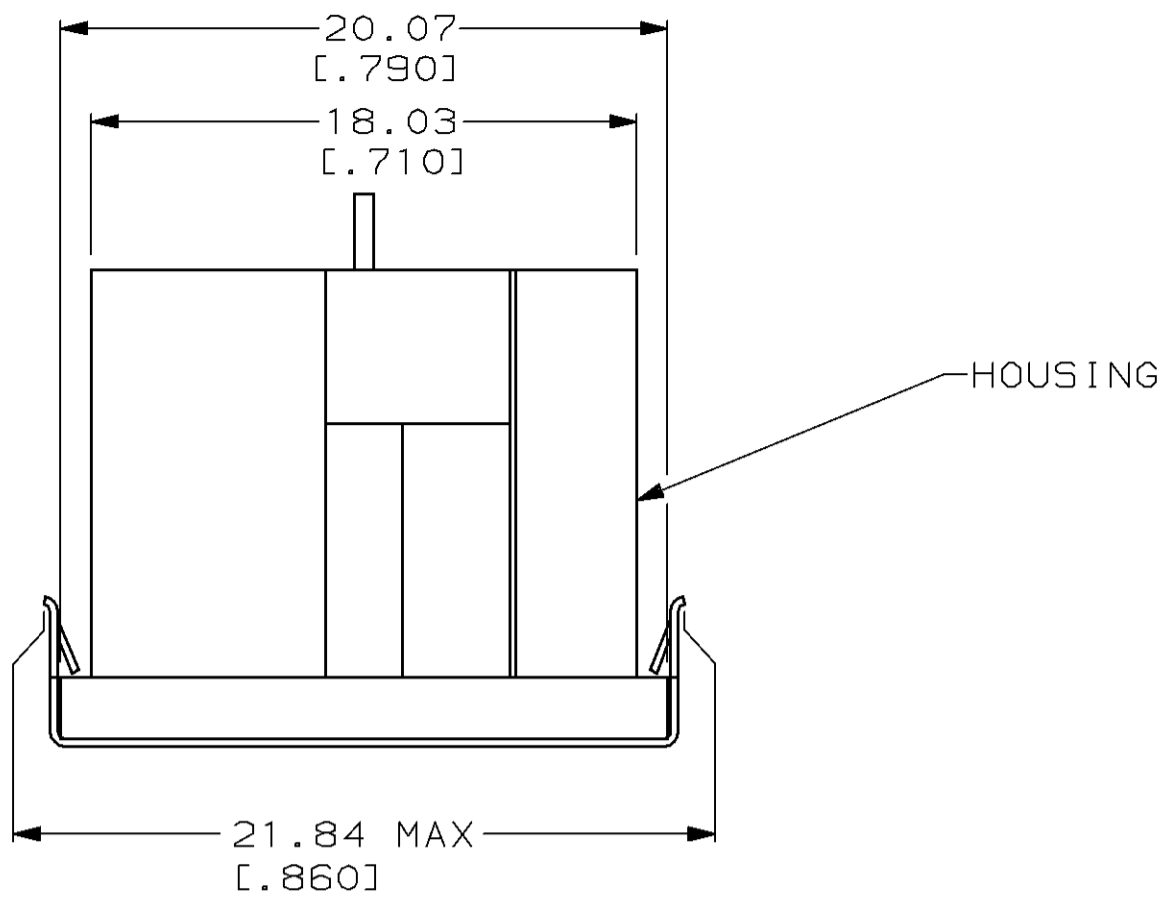
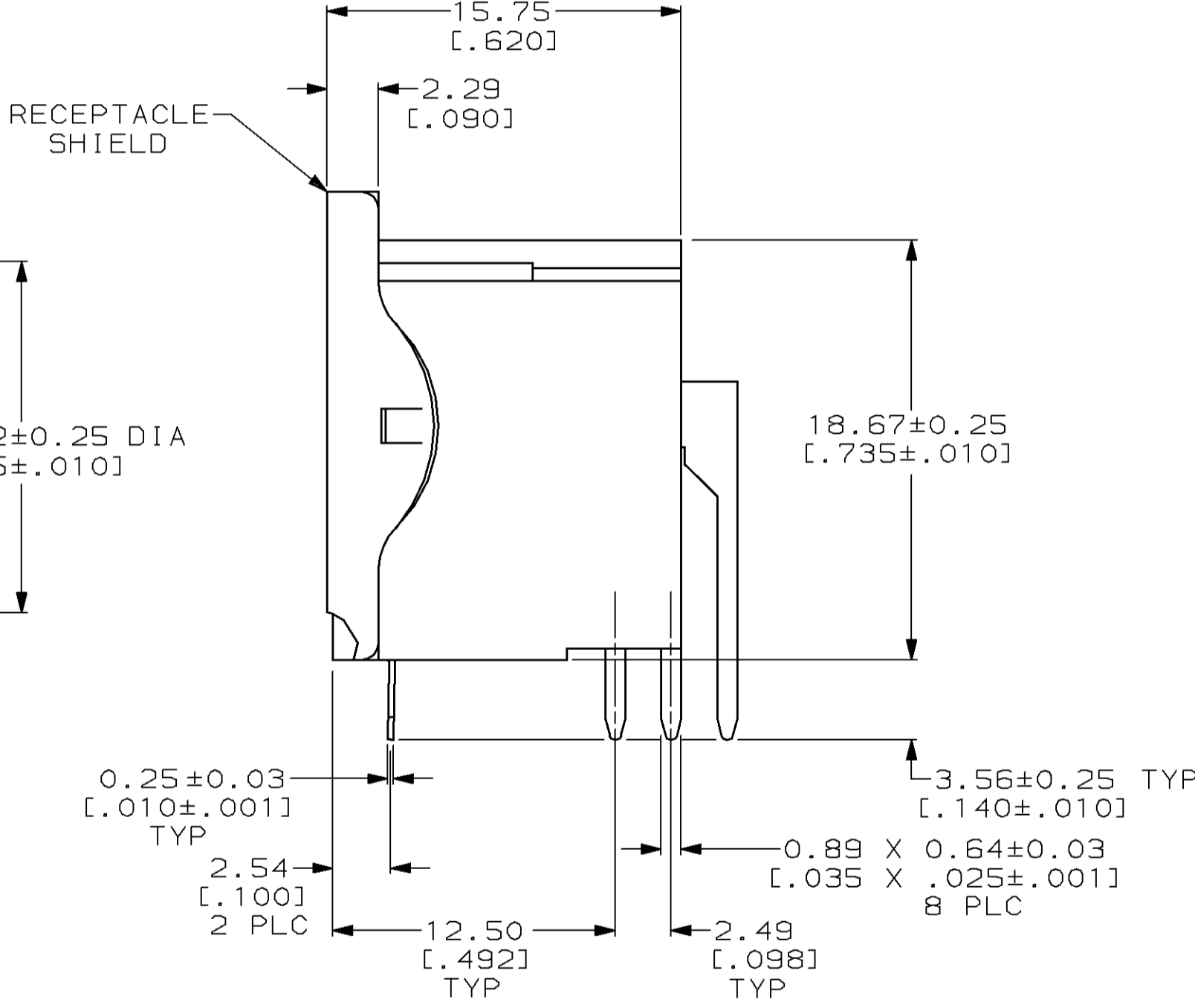
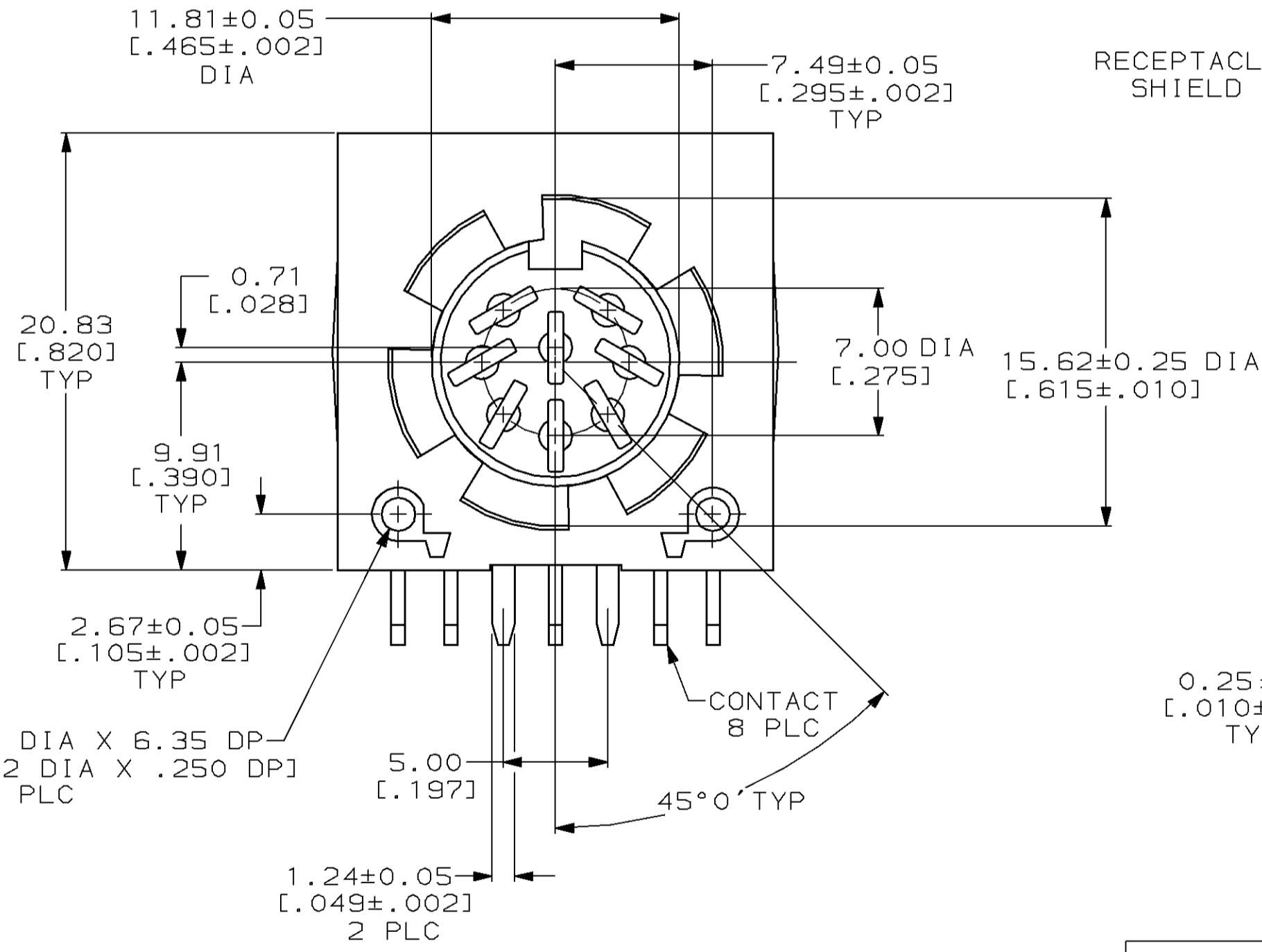


Loc	DIST	P	F	REVISIONS				
				ZONE	LTR	DESCRIPTION	DATE	APPD
BD	20			D		REDRAWN	8/12/91	-
				E		REV PER EC0020-1394-93	12/20/93	SK



- 1 NYLON, UL 94V-0 RATED, BLACK.
- 2 2.54µm [.000100] MIN TIN-LEAD OVER 1.27µm [.000050] MIN NICKEL.
- 3 TIN PLATING PER MIL-T-10727, NICKEL PLATING PER QQ-N-290.
- 4 ACCEPTS #2 SELF-TAPPING SCREW, .250 LONG REF.
- 5 MATES WITH 8 POSITION SHIELDED DIN PLUG 212437-6.
- 6 BRASS PER ASTM B36.



1.60±0.05 DIA X 6.35 DP X .250 DP  
 [.063±.002 DIA X .250 DP]  
 2 PLC

212034-1  
 PART NO.

DO NOT SCALE PRINT. UNLESS SPECIFIED DIMENSIONS IN mm [INCHES] TOLERANCES ON: 2 PLC DEC ± 0.13 [.005] 3 PLC DEC ± . ANGLES ± 0°30'	DR 8/12/91 A. STAUB BG	AMP Incorporated Harrisburg, PA 17105-3608
	CHK 11/22/91 J. MCCLINTON	
MATERIAL HOUSING: 1 CONTACTS: 6 RECEPTACLE SHIELD: 6	APPD 11/22/91 D. ROCKER	NAME RECEPTACLE ASSY, RIGHT ANGLE, SHIELDED, 8 POSITION, W/MTG HOLES, CIRCULAR DIN
FINISH FINISH: 3 CONTACTS: 2 RECEPTACLE SHIELD: 2	APPD 11/22/91 C. ROHDE	SIZE C 00779
	PRODUCT SPEC 108-10047	DRAWING NO 212034
	APPLICATION SPEC 114-40025	SCALE 4:1
	WEIGHT -	SHEET 1 OF 1