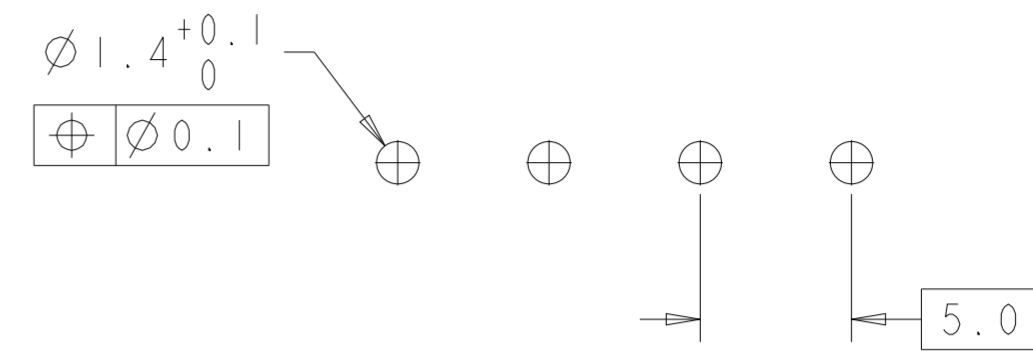
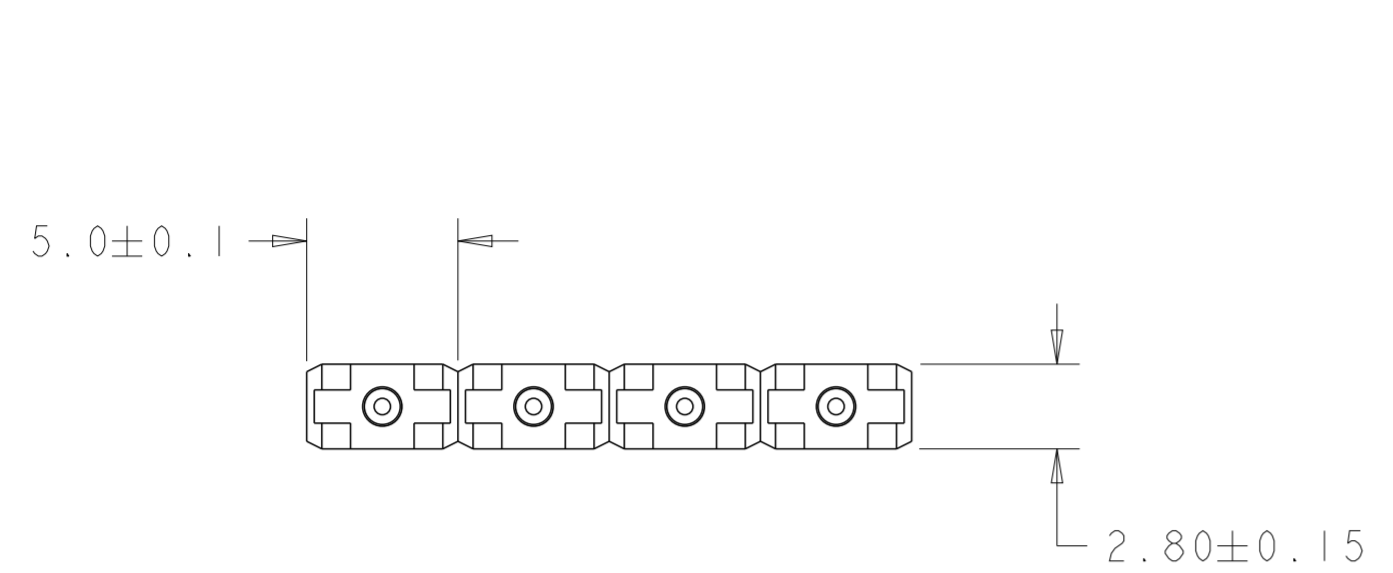
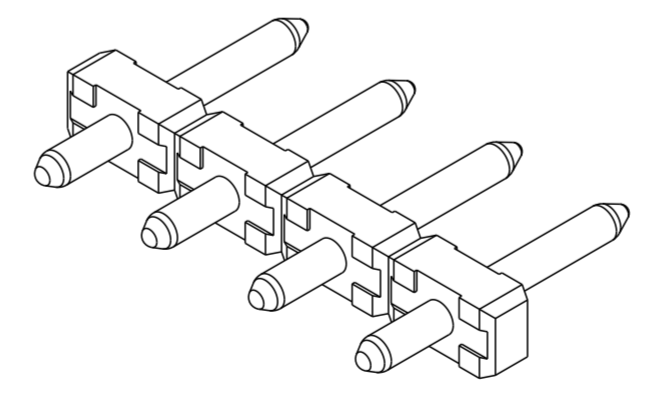
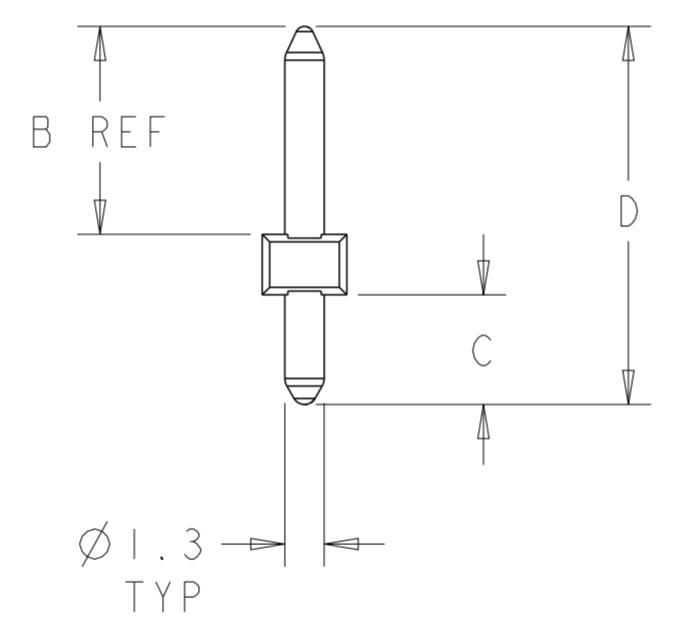
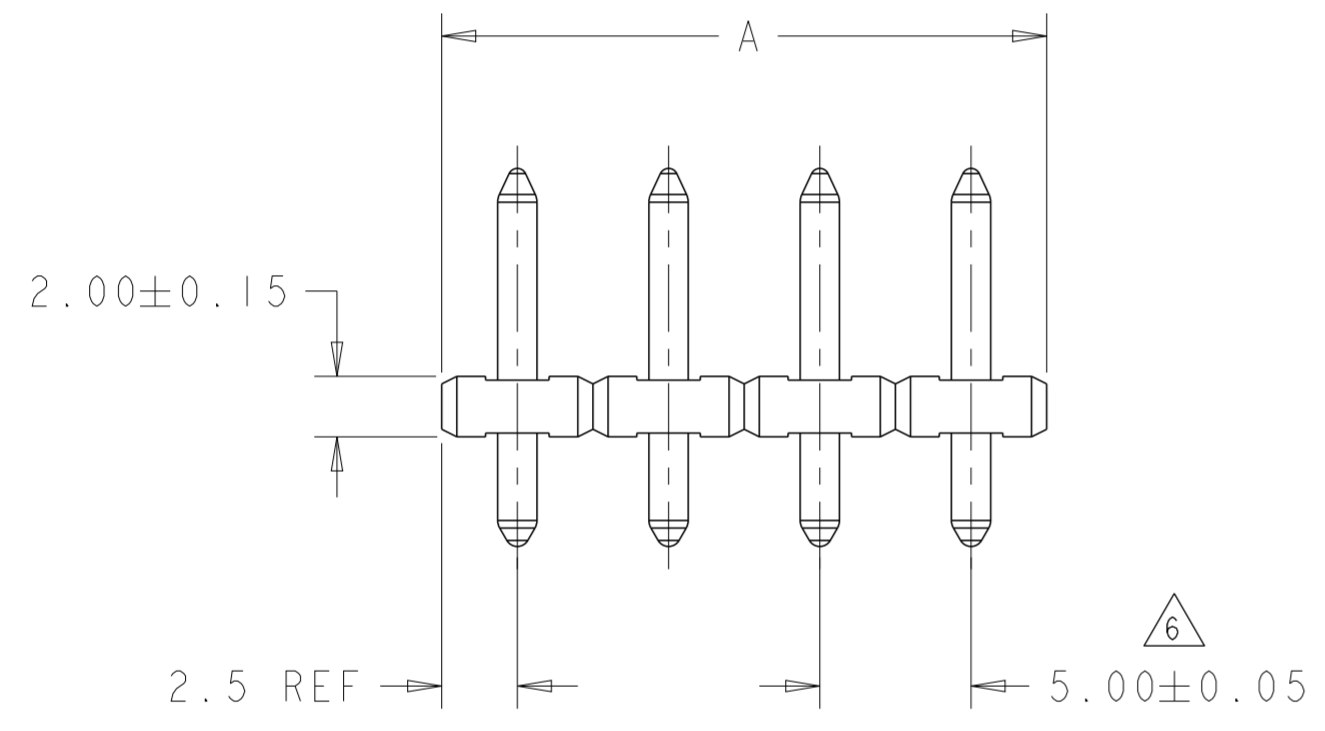


THIS DRAWING IS UNPUBLISHED. RELEASED FOR PUBLICATION 20  
 © COPYRIGHT 20 BY - ALL RIGHTS RESERVED.

LOC		DIST		REVISIONS			
P	LTR	DESCRIPTION		DATE	DWN	APVD	
	H5	HOUSING MATERIAL DETAIL CORRECTED		05DEC2014	PS	JK	



RECOMMENDED PC BOARD LAYOUT



282832-4 AS SHOWN

PRELIMINARY	TIN	20.5	4.5	14	30	6	4-282832-0
PRELIMINARY	TIN	20.5	3.5	15	20	4	3-282832-9
PRELIMINARY	TIN	20.5	3.5	15	15	3	3-282832-8
		16.5	3.5	11	20	4	3-282832-7
		20.5	4.5	14	15	3	3-282832-6
	TIN	21.1		15.6	20	4	3-282832-5
					15	3	3-282832-4
					15	3	3-282832-3
					10	2	3-282832-2
	GOLD				15	3	2-282832-7
					125	25	2-282832-6
					120	24	2-282832-5
					115	23	2-282832-4
					110	22	2-282832-3
					105	21	2-282832-2
					100	20	2-282832-1
					95	19	2-282832-0
					90	18	1-282832-9
					85	17	1-282832-8
					80	16	1-282832-7
					75	15	1-282832-6
					70	14	1-282832-5
					65	13	1-282832-4
	TIN	16.5	3.5	11	40	8	1-282832-3
					60	12	1-282832-2
					55	11	1-282832-1
					50	10	1-282832-0
					45	9	282832-9
					40	8	282832-8
					35	7	282832-7
					30	6	282832-6
					25	5	282832-5
					20	4	282832-4
					15	3	282832-3
					10	2	282832-2
	TERMINAL PLATING	D	C	B	A	NO OF POSN	PART NUMBER

- 1 MATERIALS AND FINISH:  
 HOUSING: PA 4T, UL 94-V0, COLOR GREEN  
 TERMINAL: BRASS, PLATING: SEE TABLE.
- 2. SUITABLE FOR 1,6-2,4mm PC BOARD THICKNESS.
- 3. END-TO-END STACKABLE WITHOUT LOSS OF CENTERLINE SPACING.
- 4. RECOGNIZED UNDER THE COMPONENT PROGRAM OF UNDERWRITERS LABORATORIES INC. FILE N° E60677.
- 5. IMQ CERTIFICATE WITH SURVEILLANCE IN CONFORMITY WITH IEC 998-1/998-2-1.
- 6 NOT CUMULATIVE TOLERANCE.

THIS DRAWING IS A CONTROLLED DOCUMENT.

DIMENSIONS: mm	TOLERANCES UNLESS OTHERWISE SPECIFIED:	DWN E. ZANOLINI 14AUG2001	TE Connectivity NAME: TERMINAL BLOCK PIN HEADER UNSHROUDED 5.0 mm PITCH
		CHK D. BIEVENOUR 14AUG2001	
		APVD D. BIEVENOUR 14AUG2001	
		PRODUCT SPEC 108-20166	
MATERIAL		APPLICATION SPEC 114-20079	SIZE: A2 CAGE CODE: 00779 DRAWING NO: C-282832
		WEIGHT: -	RESTRICTED TO: -
		Customer Drawing	SCALE: 4:1 SHEET 1 OF 1 REV: H5