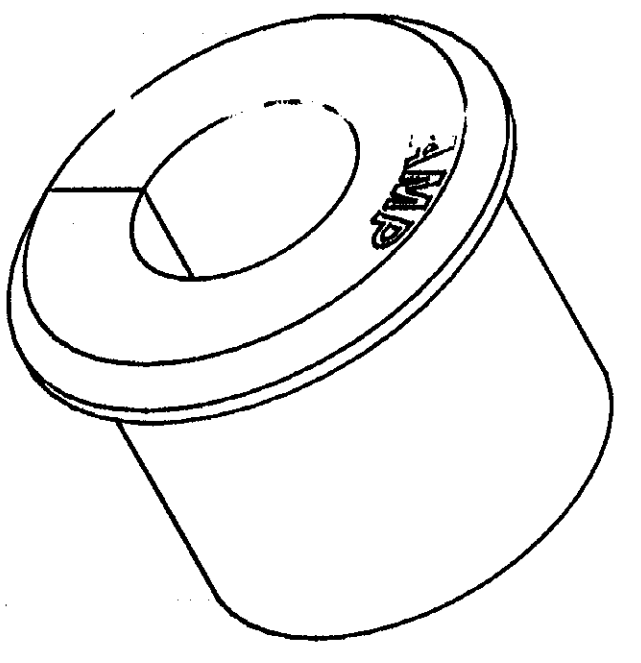
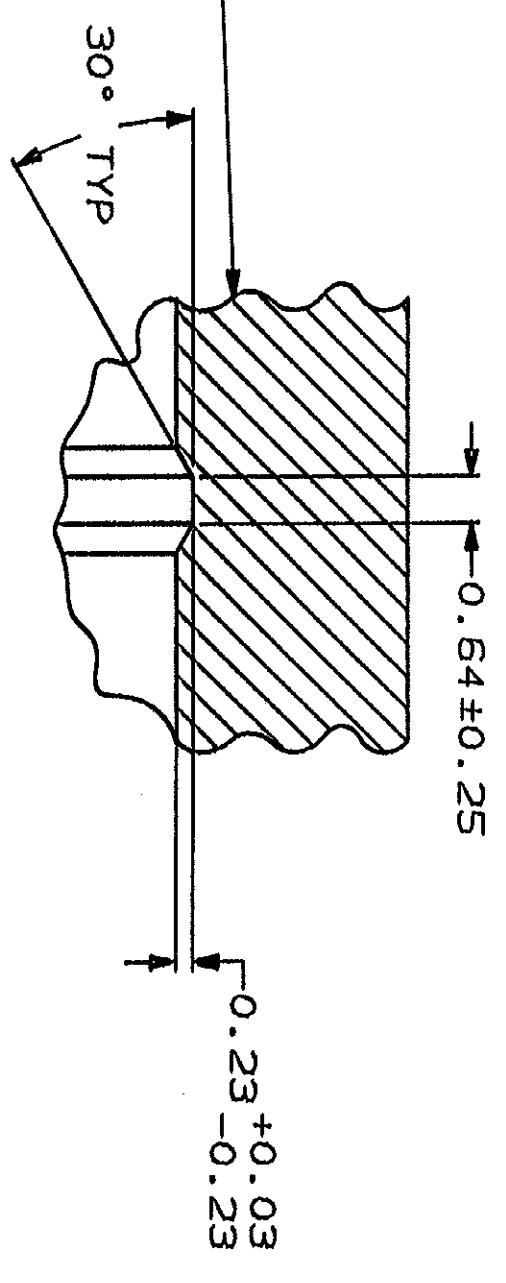
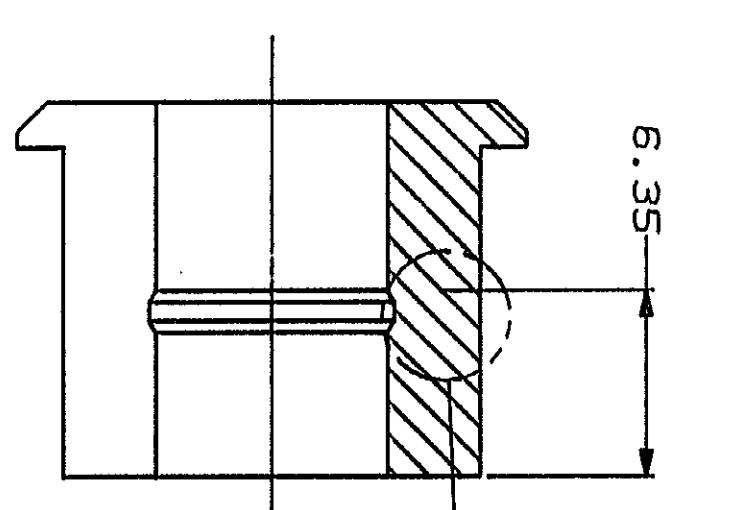
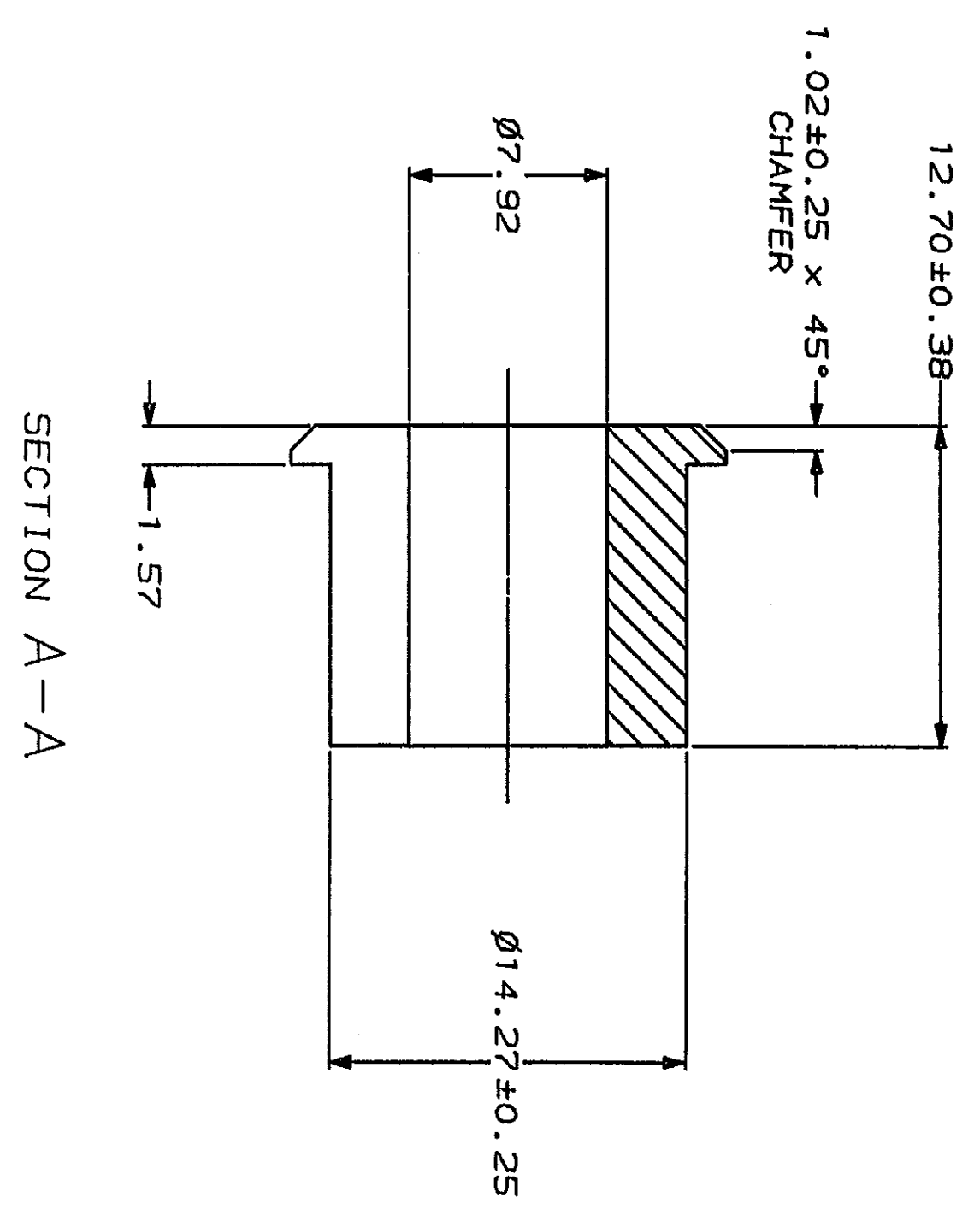
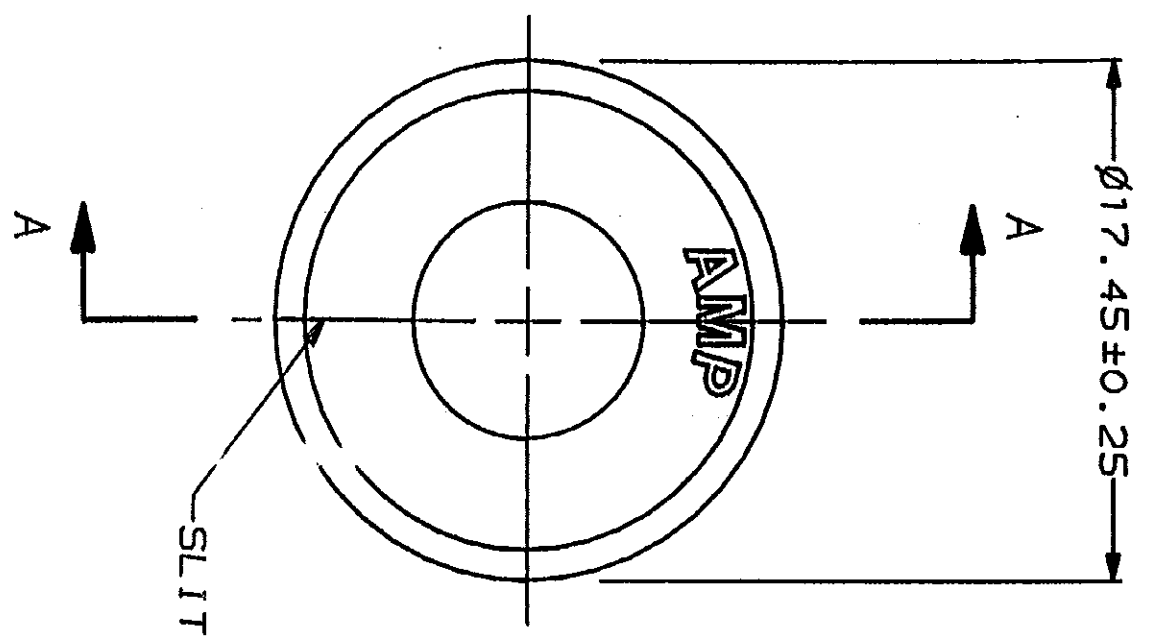


LOC	DIST	REV	DATE	APPD
CM	53		12-6-89	KU

REV	DESCRIPTION	DATE	APPD
E	REDWN AND REV PER ECN CM-2599	12-6-89	KU

1. USE WITH STRAIN RELIEF 480594.
 2. MOLDING COMPOUND PVC, FLEXIBLE, 55/75 DUREMETER (B SCALED), BLACK.



3-DIMENSIONAL MODEL
 NTS

	MM	IN	MM	IN	MM	IN
0.38	.015	7.92	.312	-	-	-
0.25	.010	6.35	.250	-	-	-
0.23	.009	1.57	.062	17.45	.687	-
0.13	.005	1.02	.040	14.27	.562	-
0.03	.001	0.64	.025	12.70	.500	-

CONVERSION TABLE



DO NOT SCALE PRINT. UNLESS SPECIFIED DIMENSIONS IN MM TOLERANCES ON: 2 PLC DEC ± 0.13 3 PLC DEC ± 1.0° MATERIAL	DR CHK APPD 12-9-89 12-8-89 12-11-89	NAME AMP AMP INCORPORATED Hartford, Pa. 17105
FINISH	APPLICATION SPEC	SIZE CAGE CODE 00779
WEIGHT	SCALE 4:1	DRAWING NO 380937

GROMMET, SPLIT, M.R.

1-380937-0
 PART NO

380937