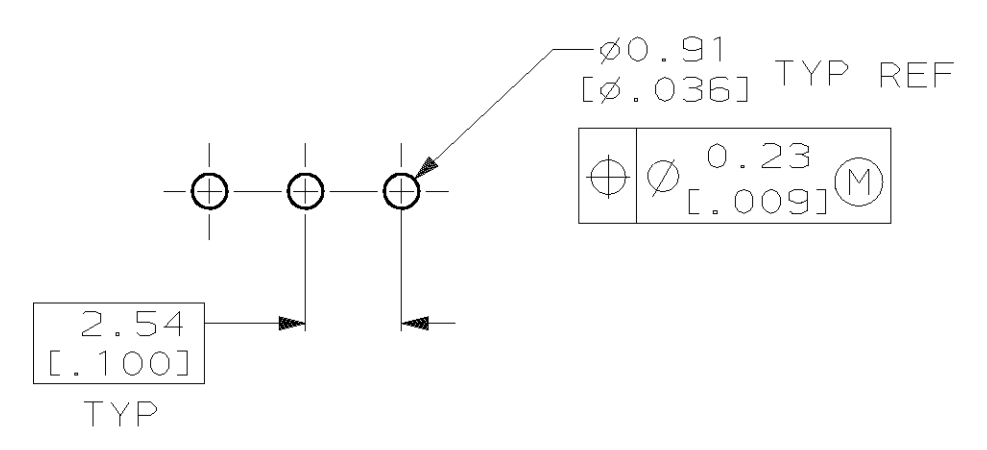
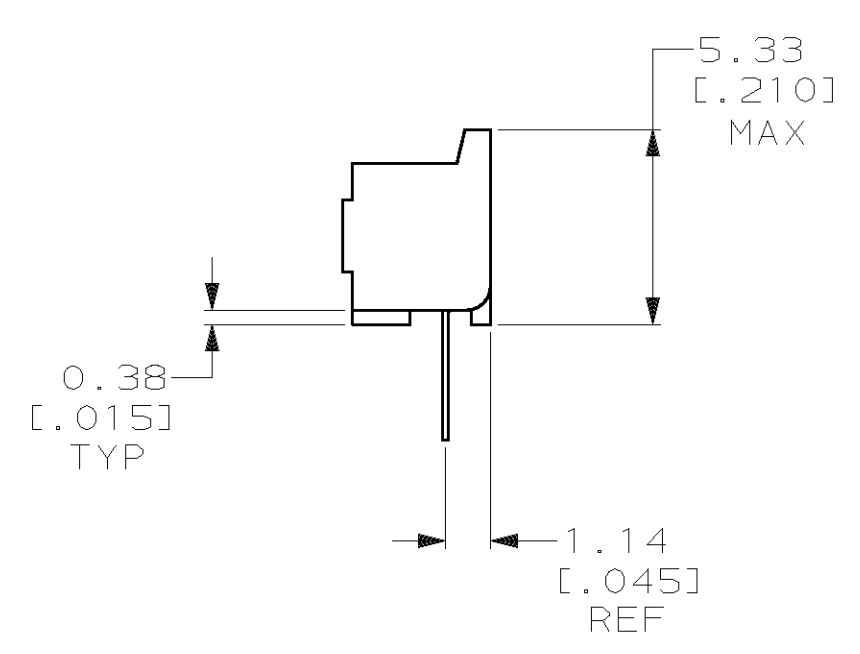
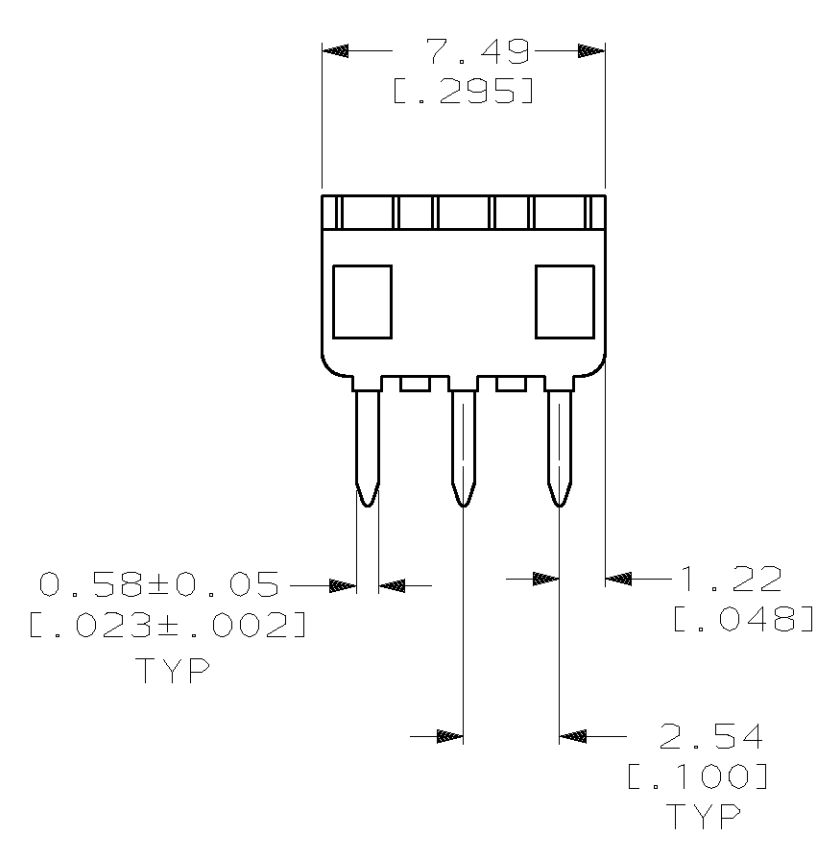
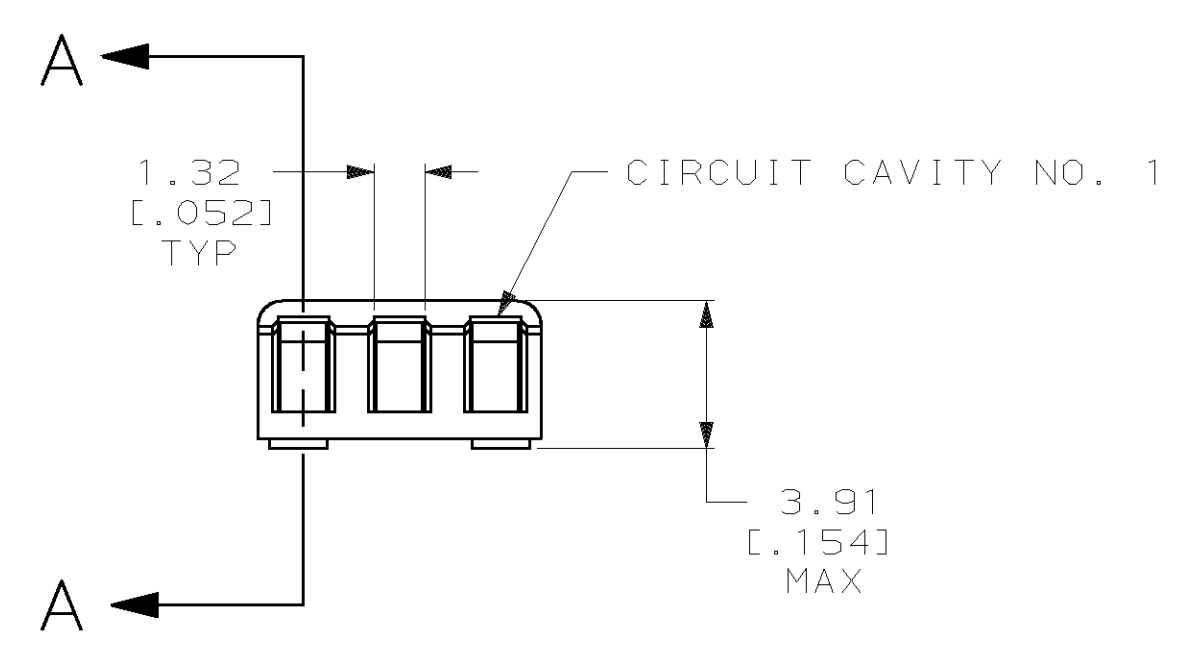
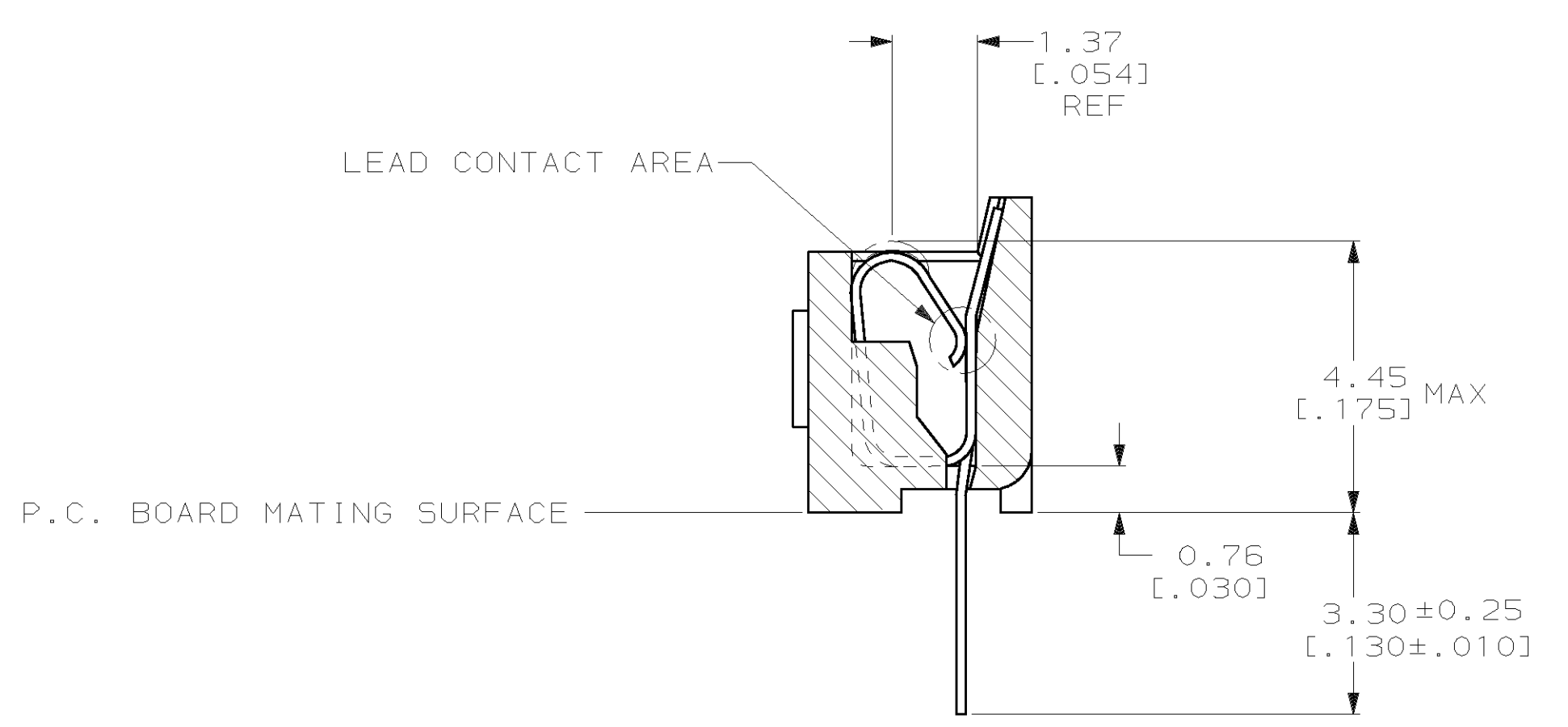


LOC	DIST	REV	PER	DATE	OWN	APVD
FT	64	D	REV PER	063C-0104-01	19JUL01	RB JO

- RECEPTACLE ACCEPTS AN 0.20-0.36 [.008-.014] THK I.C. LEAD.
- TWO 0.00076 [.000030] MIN THK GOLD STRIPES IN CONTACT AREA, TIN-LEAD ON CONTACT LEGS, BALANCE OF CONTACT NICKEL PLATED.



RECOMMENDED MOUNTING HOLE PATTERN



SECTION A-A
 ROTATED 90° CW
 SCALE 10:1

CONTACT FINISH	CONTACT MAT'L	HOUSING MATERIAL	PART NO.
TINNED	PHOS.BRZ.	GLASS-FILLED THERMOPLASTIC, 94V-0, BLACK	382437-3
TINNED	BE.CU.	GLASS-FILLED THERMOPLASTIC, 94V-0, BLACK	382437-2
TINNED	BE.CU.	GLASS-FILLED THERMOPLASTIC, 94V-0, BLACK	382437-1

OBSELETE

THIS DRAWING IS A CONTROLLED DOCUMENT.

DIMENSIONS: mm (INCHES)	TOLERANCES UNLESS OTHERWISE SPECIFIED:	DWN: K. SALMON 16 JAN 90	AMP Incorporated Harrisburg, PA 17105-3608
0 PLC ±-	1 PLC ±-	CHK: R. MILLER 16 JAN 90	AMP
2 PLC ±0.13 (.005)	3 PLC ±-	APVD: R. PRIDDY 25 JAN 90	NAME: SOCKET ASSY, SIP, 3 POS, DIPLOMATE DL
4 PLC ±-	ANGLES ±-	PRODUCT SPEC: 108-1066	SIZE: A1
MATERIAL: SEE TABLE	FINISH: SEE TABLE	APPLICATION SPEC: 114-1049	SCALE: 5:1
		WEIGHT: -	SHEET 1 OF 1
		CUSTOMER DRAWING	REV 0