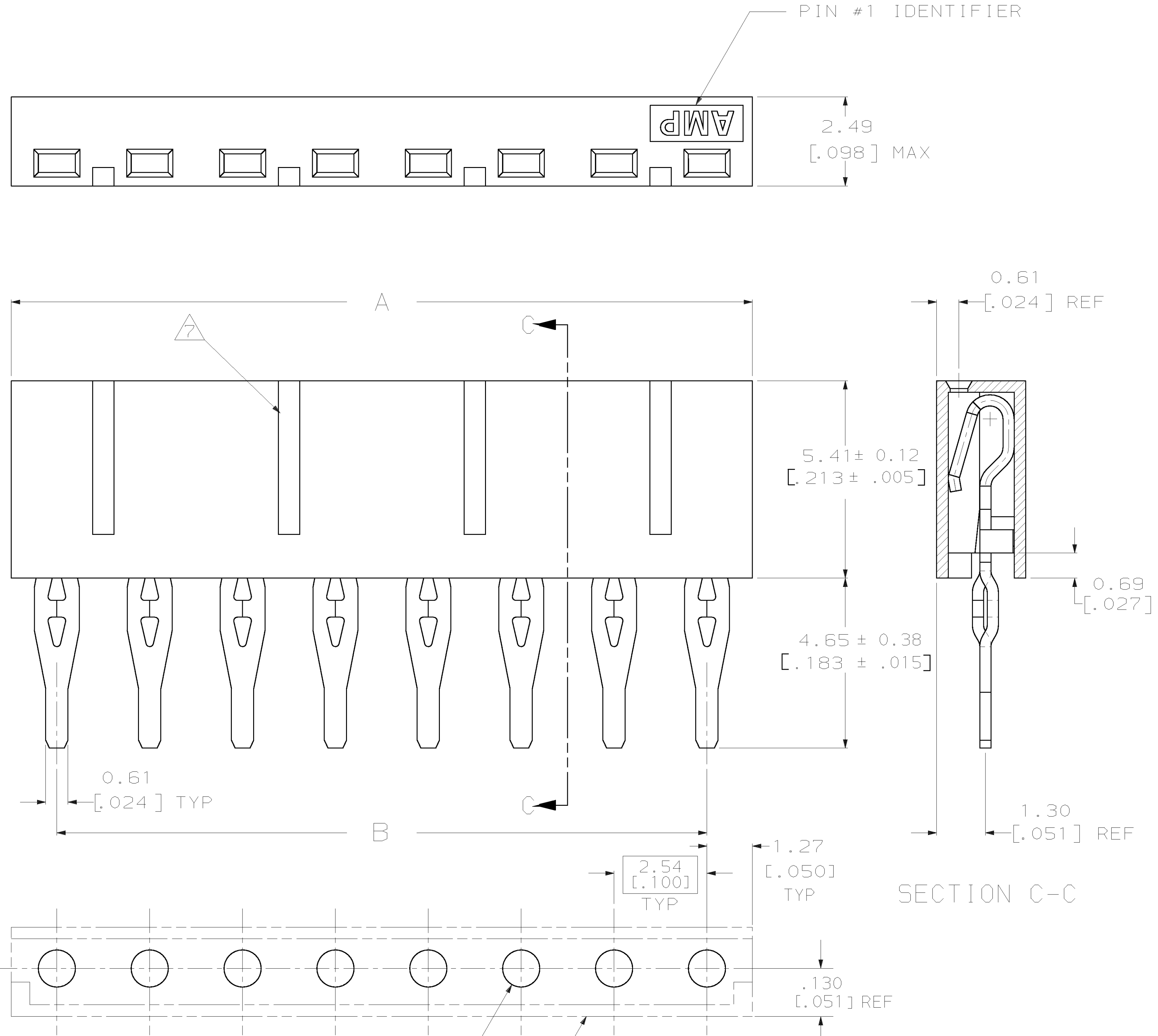


LOC		DIST		REV		REVISIONS		DATE	APPD
FT	64	P	F	ZONE	LTR	DESCRIPTION			
					D	REV PER 063C-0104-01		19JUL01	JO



- SOCKET OPERATING TEMPERATURE RANGE:
—-55° C TO 105° C.
 - SOCKET INSERTED VIA "FLAT ROCK" TOOLING INTO
—1.4 [.055] MINIMUM AND THICKER P.C. BOARDS.
 - EXPECTED SOCKET LIFE: ONE INSERTION AND
—WITHDRAWAL CYCLE INTO P. C. BOARD. P. C. BOARD
—HOLES CAN BE REUSED WITH NEW SOCKETS.
 - ACCEPTS 0.203 [.008]-0.381 [.015] THICK X 0.254
[.010]-0.762 [.030] WIDE, TIN-LEAD PLATED,
—RECTANGULAR COMPONENT LEADS AND 0.254 [.010]-
—0.457 [.018] DIA, TIN-LEAD PLATED, ROUND
LEADS, .318 [.125]-5.08 [.200] LONG.
 - CONTACT NORMAL FORCE AND LEAD RETENTION
—VALUES ARE MAINTAINED ONLY WHEN A SOCKET IS
—USED FOR REPEATED ACCEPTANCE OF COMPONENT
—LEADS OF THE SAME SIZE AS THOSE PREVIOUSLY
—INSERTED OR LARGER. WHEN A COMPONENT WITH
—LARGE DIAMETER LEADS IS TO BE REPLACED WITH
—A COMPONENT WITH SMALL CROSS SECTION LEADS,
—THE SOCKET MUST BE REPLACED ALSO.
 - MULTIPLE SOCKETS CAN BE POSITIONED ON A 2.54
[.100] CENTERLINE GRID.
- △ SLOTS ALONG SIDE OF HOUSING ARE INTENDED TO
—FUNCTION AS VISUAL ORIENTATION FEATURES TO
—ASSIST IN PLACING SOCKETS CORRECTLY IN P.C.
—BOARDS.
- ⊗ P.C. BOARD REQUIREMENTS:
DRILLED HOLE DIAMETER SHALL BE 1.15±0.025
[.0453±.0010], COPPER PLATING THICKNESS SHALL
BE 0.025 [.001] TO 0.076 [.003], TIN/LEAD PLATING
THICKNESS SHALL BE 0.0076 [.0003] MINIMUM.
- △ CONTACT MATERIAL, PHOSPHOR BRONZE, .0120 STOCK
THICKNESS.
- △ CONTACT FINISH: 93/7 TIN-LEAD PLATE, 0.00381
[.000150] MIN THICKNESS.

OBSOLETE

20.32 [.800]	22.86 [.900]	9	382444-5
27.94 [1.100]	30.48 [1.200]	12	382444-4
22.86 [.900]	25.4 [1.000]	10	382444-3
17.78 [.700]	20.32 [.800]	8	382444-2
12.7 [.500]	15.24 [.600]	6	382444-1
B	A	NO OF POSITIONS	PART NO

⊗ 1.016 ± 0.076 DIA HOLE TYP
[.040 ± .003] ⊕ ∅ 0.23 [.009] ⊙

STANDOFF OUTLINE

RECOMMENDED P.C. BOARD HOLE LAYOUT
(COMPONENT SIDE)

THIS DRAWING IS A CONTROLLED DOCUMENT FOR
AMP INCORPORATED. IT IS SUBJECT TO CHANGE
AND THE CONTROLLING ENGINEERING ORGANIZATION
SHOULD BE CONTACTED FOR THE LATEST REVISION.

DO NOT SCALE PRINT. UNLESS SPECIFIED DIMENSIONS IN mm [INCHES] TOLERANCES ON: 2 PLC DEC ± - 3 PLC DEC ± 0.13 [.005] ANGLES ± -	DR 7-7-94 R. MARION CHK 7-7-94 R. TALLEY APPD 7-8-94 M. HUDDLESTON APPD 7-8-94 M. STADDON	AMP AMP Incorporated Harrisburg, PA 17105-3608	
MATERIAL HOUSING: LCP CONTACT: ⊗ FINISH CONTACT: ⊗	PRODUCT SPEC 108-1251 APPLICATION SPEC 114-25039	NAME SOCKET ASSY, COMPLIANT PIN, SIP	
SIZE D	CAGE CODE 00779	DRAWING NO C=382444	
WEIGHT -	SCALE 15:1	SHEET 1 OF 1	