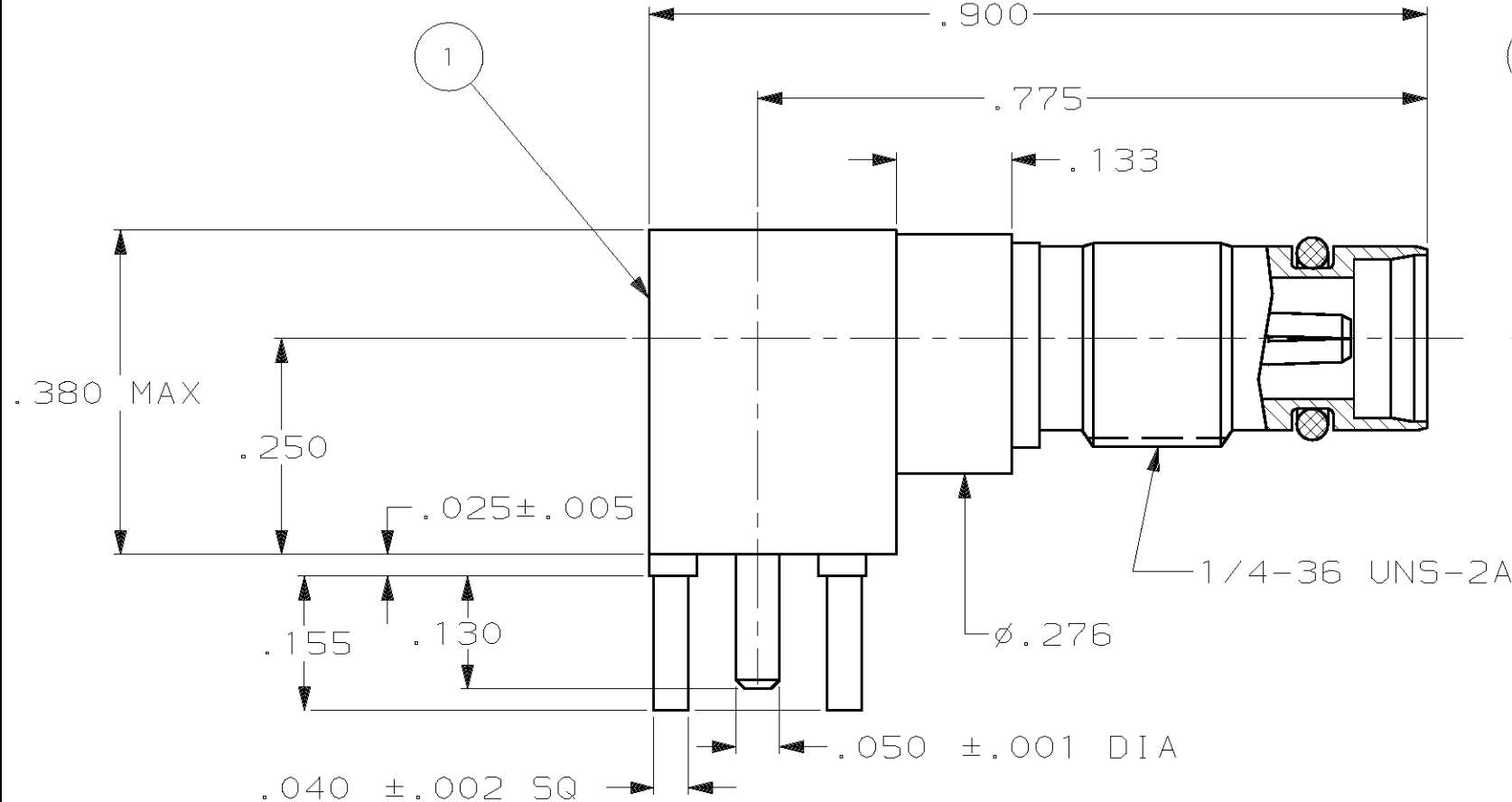
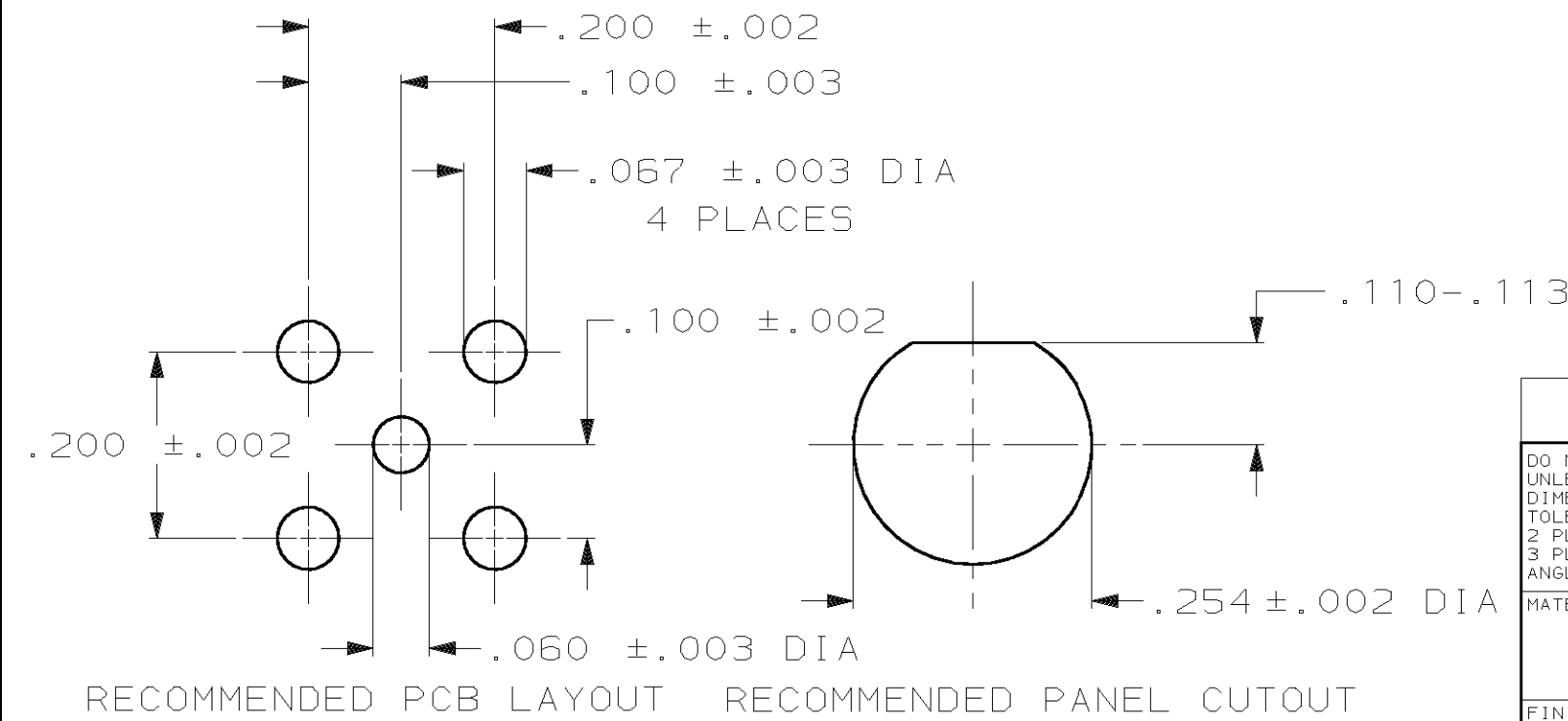


THIS DRAWING IS UNPUBLISHED. RELEASED FOR PUBLICATION, 19
 © COPYRIGHT 19 BY AMP INCORPORATED. ALL INTERNATIONAL RIGHTS RESERVED.

LOC	DIST	REVISIONS						
AJ	16	P	F	ZONE	LTR	DESCRIPTION	DATE	APPD
					B	REV PER 0U20-0078-99	22SEP99	M0



1. PANEL THICKNESS: .080-.125



1	2-332004-0	JAMNUT	3
1	1-22145-3	LOCKWASHER	2
1	448722-1	JACK ASSEMBLY	1
QTY	PART NO	DESCRIPTION	ITEM NO

DO NOT SCALE PRINT. UNLESS SPECIFIED DIMENSIONS IN INCHES TOLERANCES ON: 2 PLC DEC ± - 3 PLC DEC ± .010 ANGLES ± -	DR R.L. FISHER, JR. 11-3-92	AMP AMP Incorporated Harrisburg, PA 17105-3608		
	CHK M.E.PASTAL 11-5-92			
	APPD R.L.FISHER JR 11-5-92	NAME JACK, PCB, RIGHT ANGLE, BULKHEAD MOUNTED, 3.5MM BLIND MATE		
	APPD R.L.FISHER JR 11-5-92			
MATERIAL -	PRODUCT SPEC -	SIZE B	CAGE CODE 00779	DRAWING NO 448089-1
FINISH -	APPLICATION SPEC -	SCALE 5:1	SHEET 1 OF 1	
WEIGHT -				