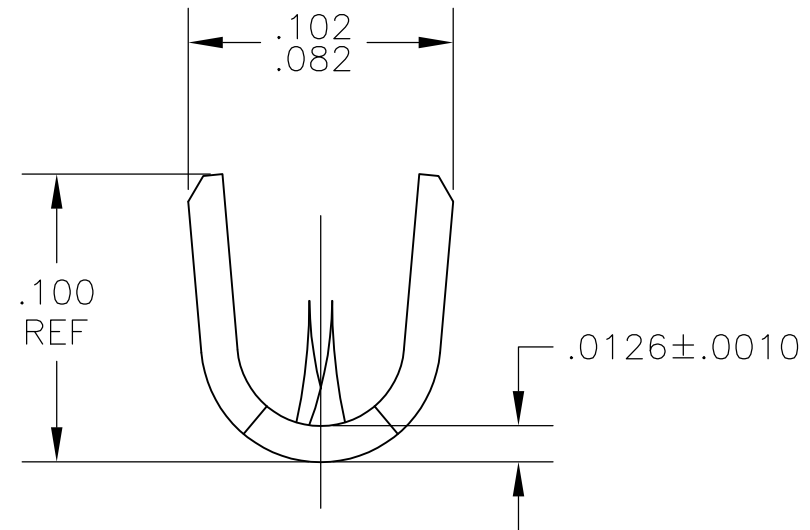
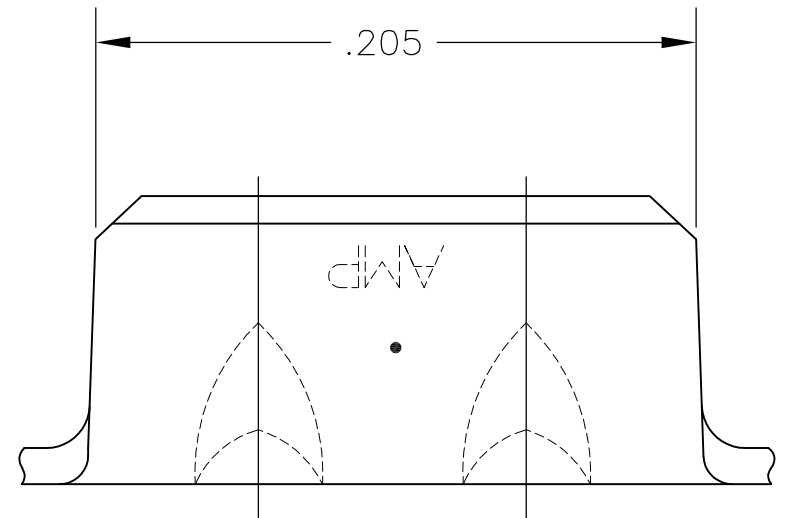
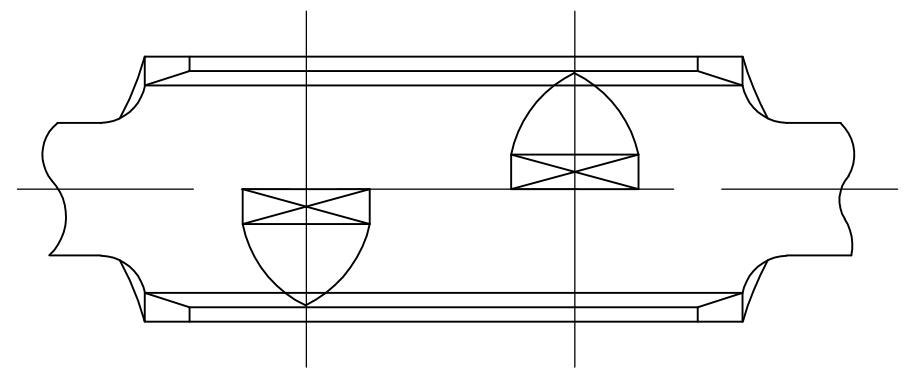


THIS DRAWING IS UNPUBLISHED. RELEASED FOR PUBLICATION
 © COPYRIGHT - BY TYCO ELECTRONICS CORPORATION. ALL RIGHTS RESERVED.

LOC	DIST	REVISIONS				
P	LTR	DESCRIPTION	DATE	DWN	APVD	
AF	50	J1	ECR-07-019054(REDRAWN IN AUTOCAD)	05JUL07	HMR	GP

- 1 CONTINUOUS STRIP ON REELS
- 2 WIRE RANGE: 22 AWG
- 3 INSULATION RANGE: .050 - .065 DIA.



	NICKEL	485064-4
OBSOLETE	TIN	485064-3
	GOLD OVER NICKEL	485064-2
	NONE	485064-1
	FINISH	PART NO

THIS DRAWING IS A CONTROLLED DOCUMENT.		DWN RAGHAVENDRA 05JUL07	Tyco Electronics Corporation Harrisburg, PA 17105-3608		
DIMENSIONS: INCHES	TOLERANCES UNLESS OTHERWISE SPECIFIED:	CHK G.D.PORTA 05JUL07	NAME SPLICE INSULATION PIERCING		
	0 PLC ± - 1 PLC ± - 2 PLC ± - 3 PLC ± .010 4 PLC ± - ANGLES ± -	APVD G.D.PORTA 05JUL07	PRODUCT SPEC	SIZE	CAGE CODE
MATERIAL BRASS	FINISH SEE TABLE	APPLICATION SPEC	—	A3	00779
		WEIGHT	—	C=	485064
		CUSTOMER DRAWING		SCALE	15:1
				SHEET	1 OF 1
				REV	J1