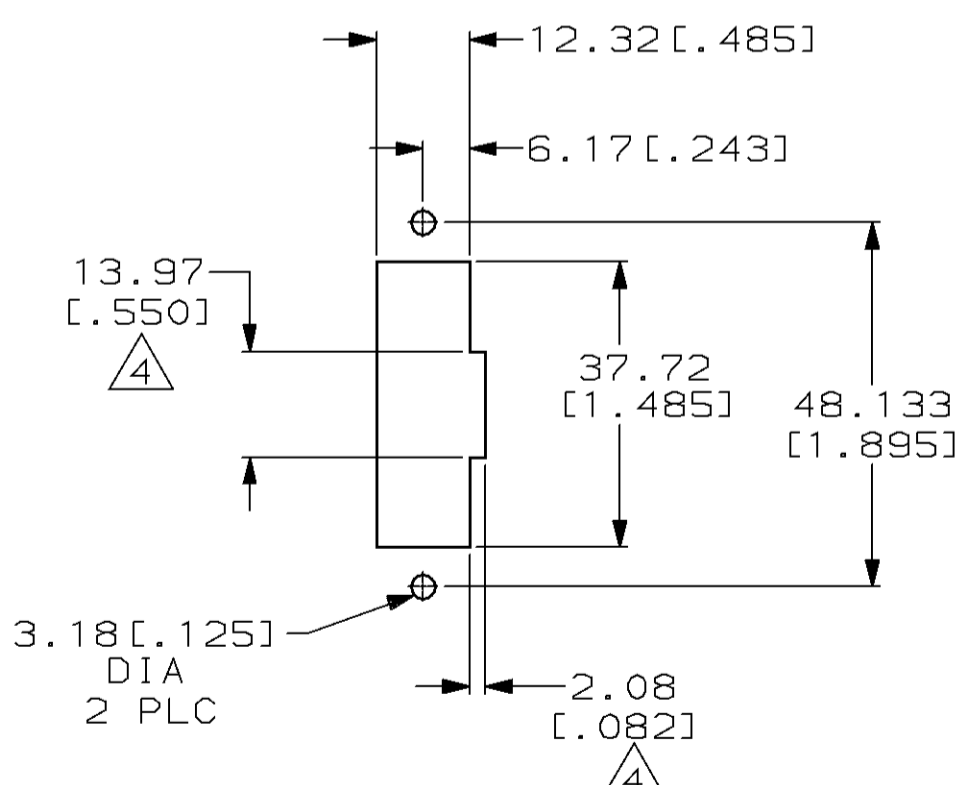
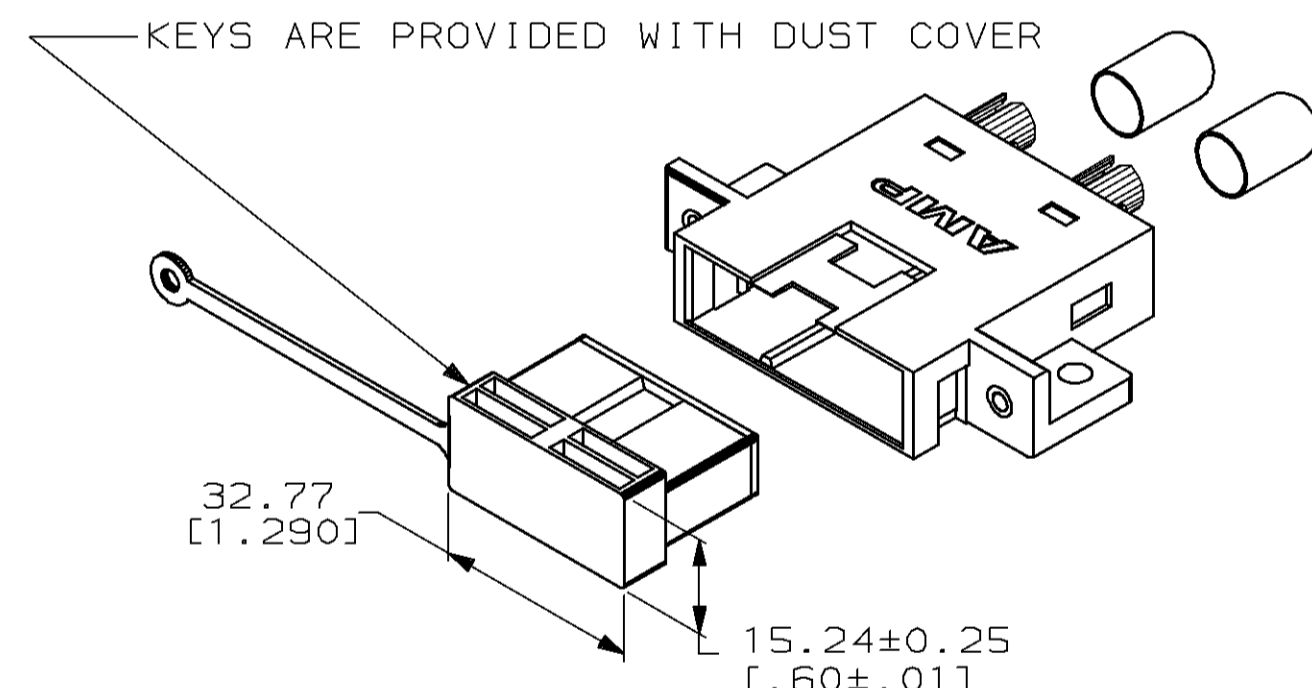
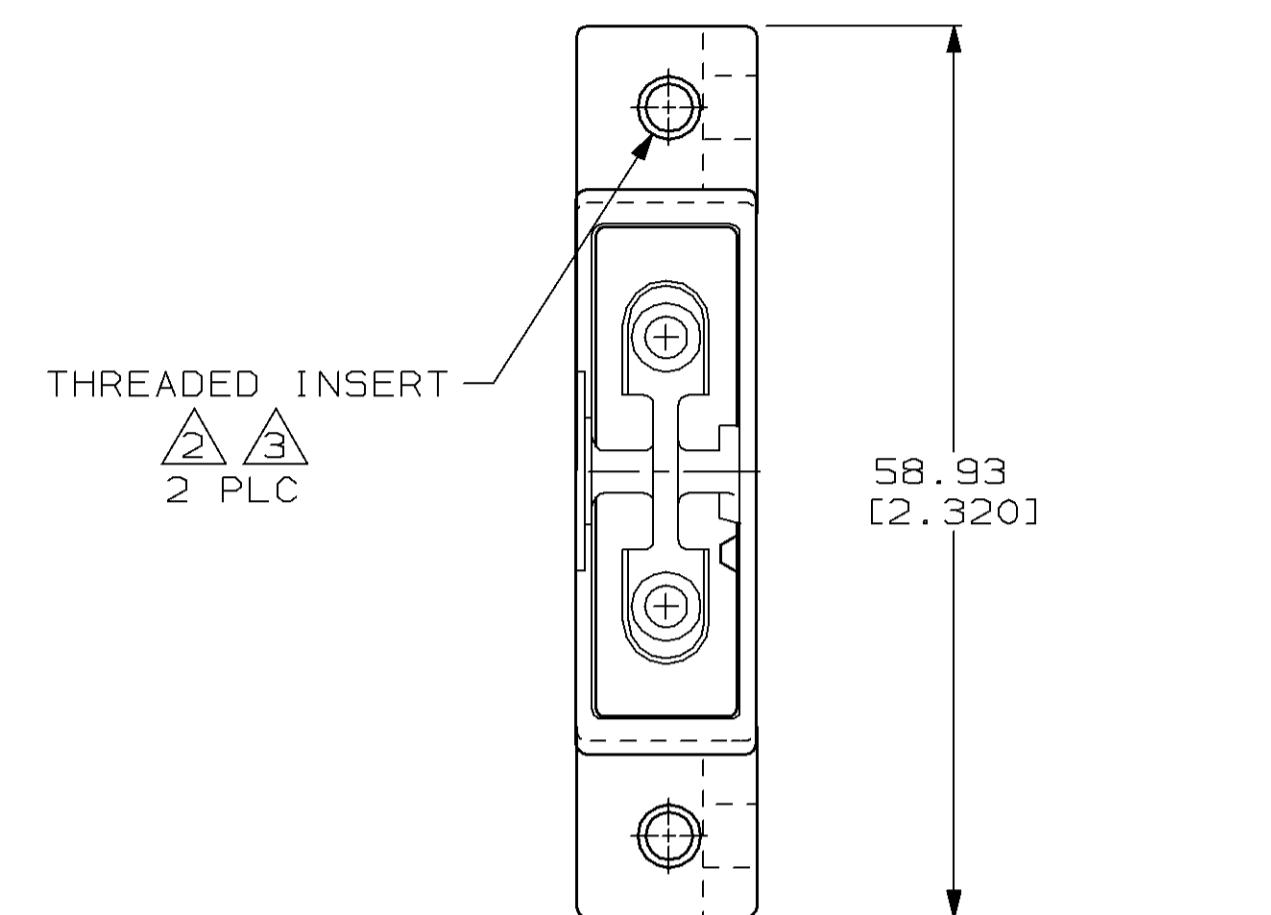
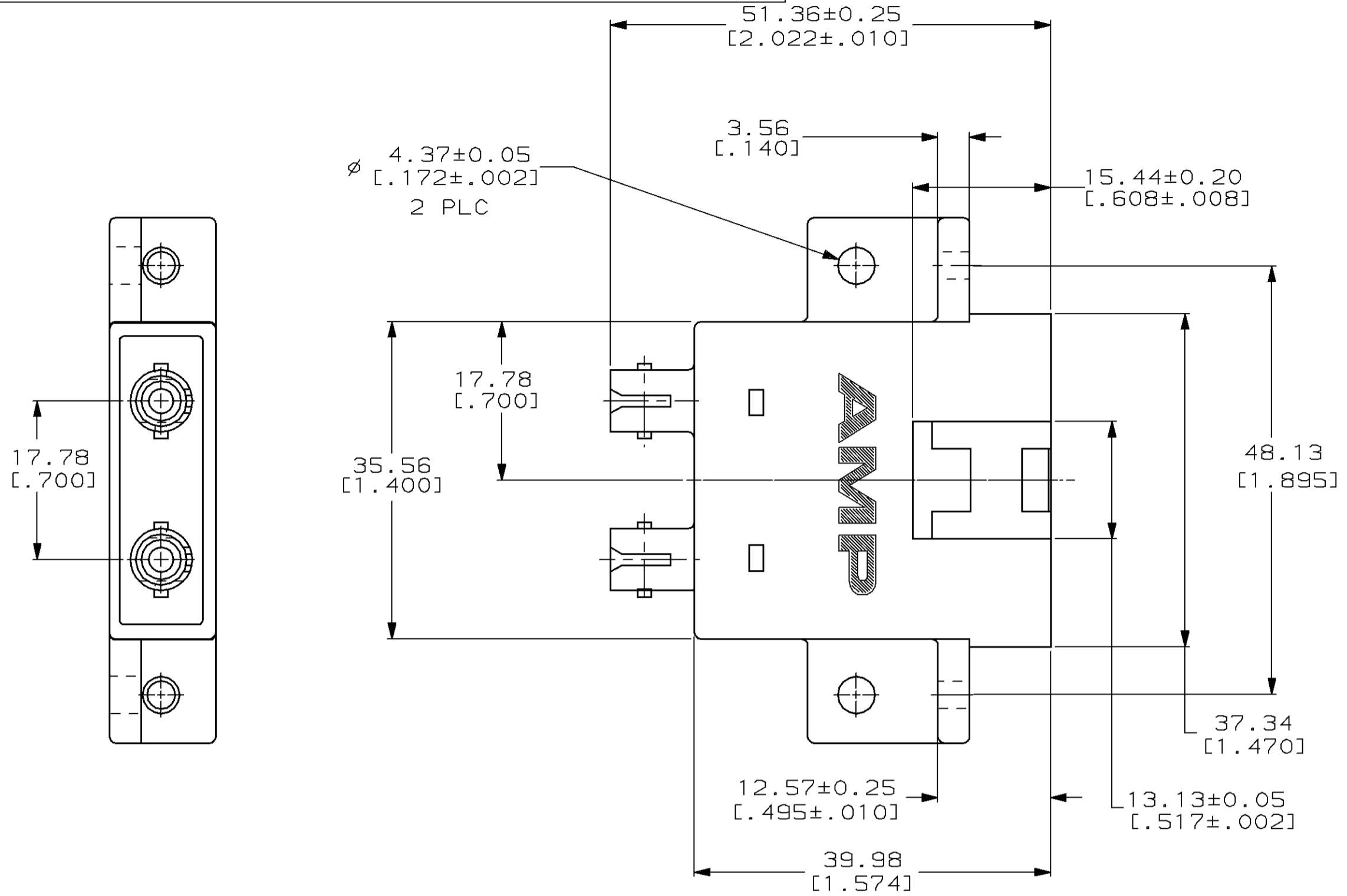


THIS DRAWING IS UNPUBLISHED. RELEASED FOR PUBLICATION  
 © COPYRIGHT 19 BY AMP INCORPORATED. ALL INTERNATIONAL RIGHTS RESERVED.

LOC		DIST		P		F		REVISIONS				
CE	16							ZONE	LTR	DESCRIPTION	DATE	APPD
								B		REV PER 0500-0087-94	11-22-94	RH/GL



1. DIMENSIONS IN [ ] ARE IN INCHES.
- 2 #4-40 THREADED INSERT.
- 3 M3X0.5 THREADED INSERT.
- 4 OPTIONAL CUTOUT FOR FIELD KEY INSERTION AND REMOVAL. KEY EXTRACTION TOOL PART NUMBER: 503679-1.

3	BLACK	CERAMIC	502809-3
2	BEIGE	CERAMIC	502809-2
2	BLACK	CERAMIC	502809-1
	COLOR	ALIGNMENT SLEEVE MATERIAL	PART NUMBER

DO NOT SCALE PRINT. UNLESS SPECIFIED DIMENSIONS IN mm TOLERANCES ON:		DR 10-13-92 R.HILEMAN		PART NO	
2 PLC DEC ± -		CHK 10-14-92 T.FAWCETT		AMP INCORPORATED Harrisburg, Pa. 17105	
3 PLC DEC ± 0.13 [.005]		APPD 10-14-92 T.FAWCETT		NAME	
ANGLES ± -		APPD 10-16-92 D.FISHER		FSD TO 2.5mm BAYONET COUPLING ASSEMBLY, FIELD KEYABLE, AMP FSD, SINGLEMODE	
MATERIAL THERMOPLASTIC		PRODUCT SPEC -		SIZE C	
FINISH SEE TABLE		APPLICATION SPEC -		FSCM NO 00779	
		WEIGHT -		DRAWING NO 502809	
				SCALE 2:1	
				SHEET 1 OF 1	

METRIC