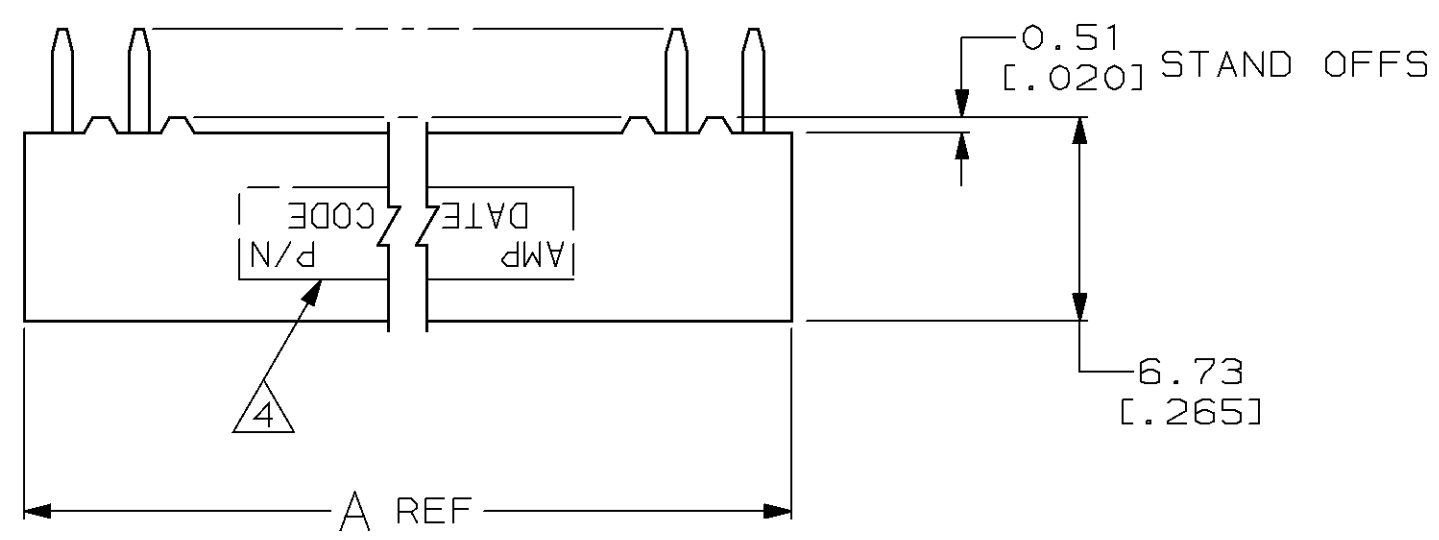
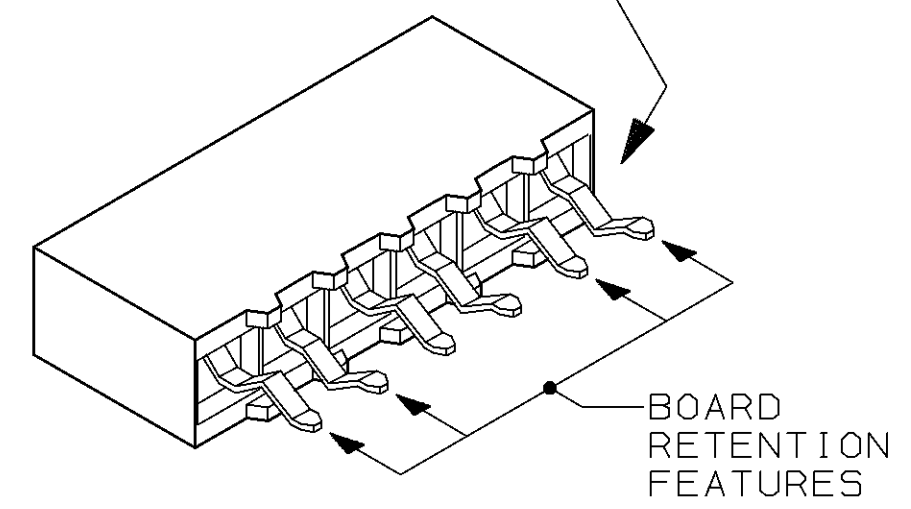
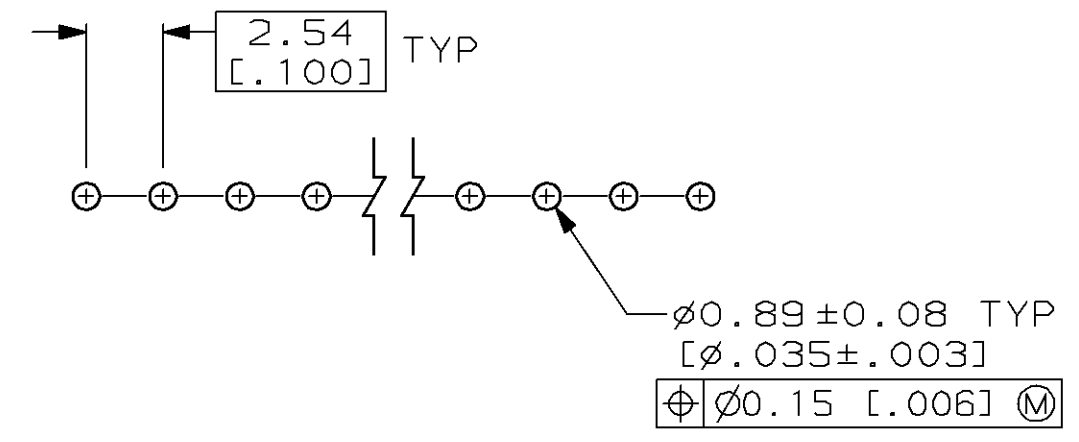
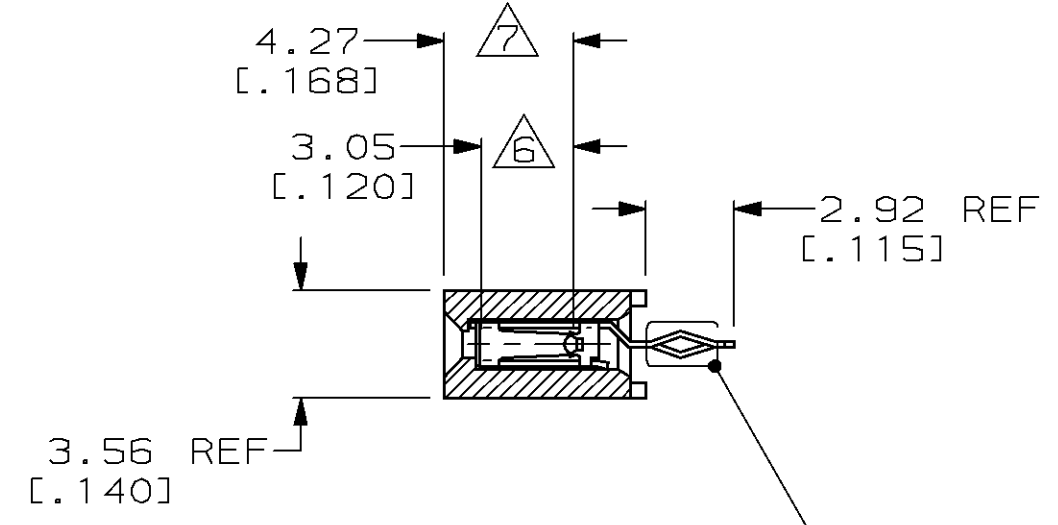
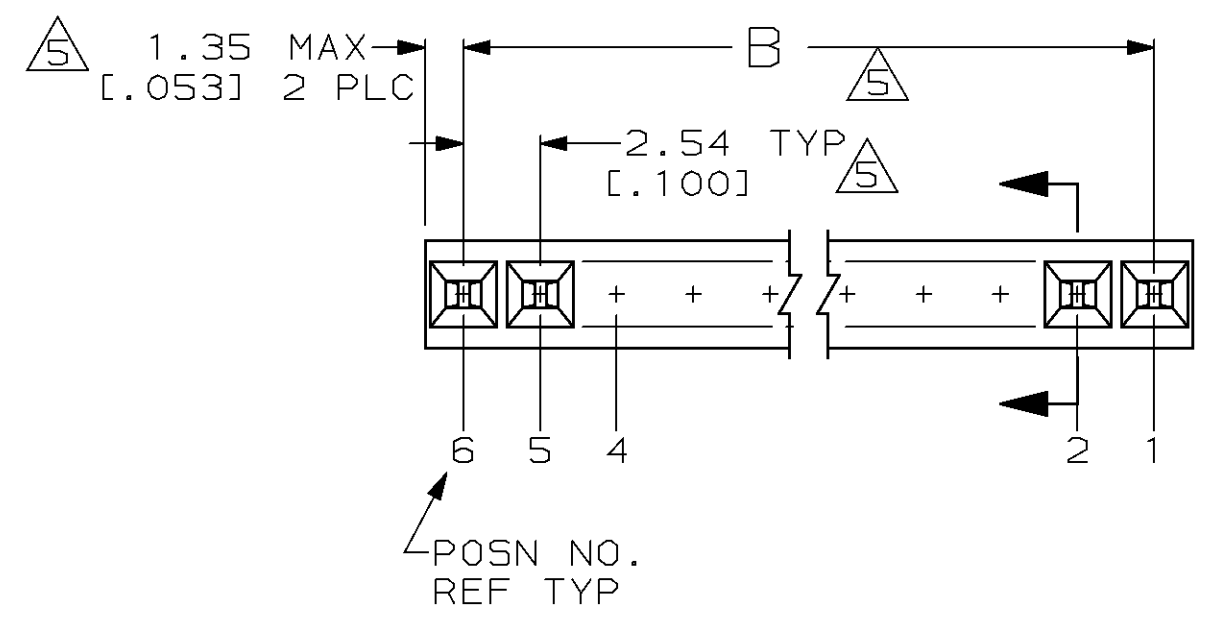


THIS DRAWING IS UNPUBLISHED. RELEASED FOR PUBLICATION
 © COPYRIGHT 19 BY AMP INCORPORATED. ALL INTERNATIONAL RIGHTS RESERVED.

LOC	DIST	P	F	ZONE	LTR	DESCRIPTION	DATE	APPD
AD	25				D	EC 0010-1692-95	8/7/96	AG
					E	REV PER 0310-0042-98	10AUG98	JH



- ① FLAME-RETARDANT, GLASS-FILLED THERMOPLASTIC, COLOR; BLACK
- ② CONTACTS: PHOSPHOR BRONZE
- ③ DUPLEX-PLATED: .000381 [.0000015] GOLD IN CONTACT AREA, .00127 [.000050]-.00254 [.000100] BRIGHT TIN-LEAD ON TINES, ALL OVER .00127 [.000050] NICKEL
- ④ AMP TRADEMARK AND CSA LOGO ARE MOLDED IN. DATE CODE AND PART NUMBER ARE HOT EMBOSSED WITH 1.57±0.38 [.062±.015] CHARACTERS AS PART SIZE PERMITS, THE ORDER AND LOCATION IS OPTIONAL.
- ⑤ THESE DIMENSION PERTAIN TO CAVITY CENTERLINES ONLY, NOT TO CONTACT LOCATIONS
- ⑥ POINT-OF-MEASUREMENT DIMENSION FOR PLATING THICKNESS (INSIDE CONTACT BEAMS)
- ⑦ POINT-OF-CONTACT DIMENSION



1, 4, 6	12.70 [.500]	15.24 [.600]	6	535591-1
POSITION NUMBER WITH BOARD RETENTION	B	A	NO. OF POSN.	PART NUMBER

DO NOT SCALE PRINT. UNLESS SPECIFIED DIMENSIONS IN mm [INCHES] TOLERANCES ON: 2 PLC DEC ±0.13 [.005] 3 PLC DEC ± - ANGLES ± -		DR 05/18/90 KATE HELM		PART NO	
MATERIAL HOUSING: ① CONTACTS: ②		CHK - APPD - APPD - PRODUCT SPEC -		AMP AMP Incorporated Harrisburg, PA 17105-3608	
FINISH CONTACTS: ③		APPLICATION SPEC - WEIGHT -		NAME RCPT ASSY, MOD IV, SGL-ROW, .100¢ CLSD-ENTRY, VERT-MT, SHORT PT-OF-CONT/BD RETENTION FEATURE	
METRIC		SIZE C CAGE CODE 00779		DRAWING NO 535591	
		SCALE 4:1		SHEET 1 OF 1	