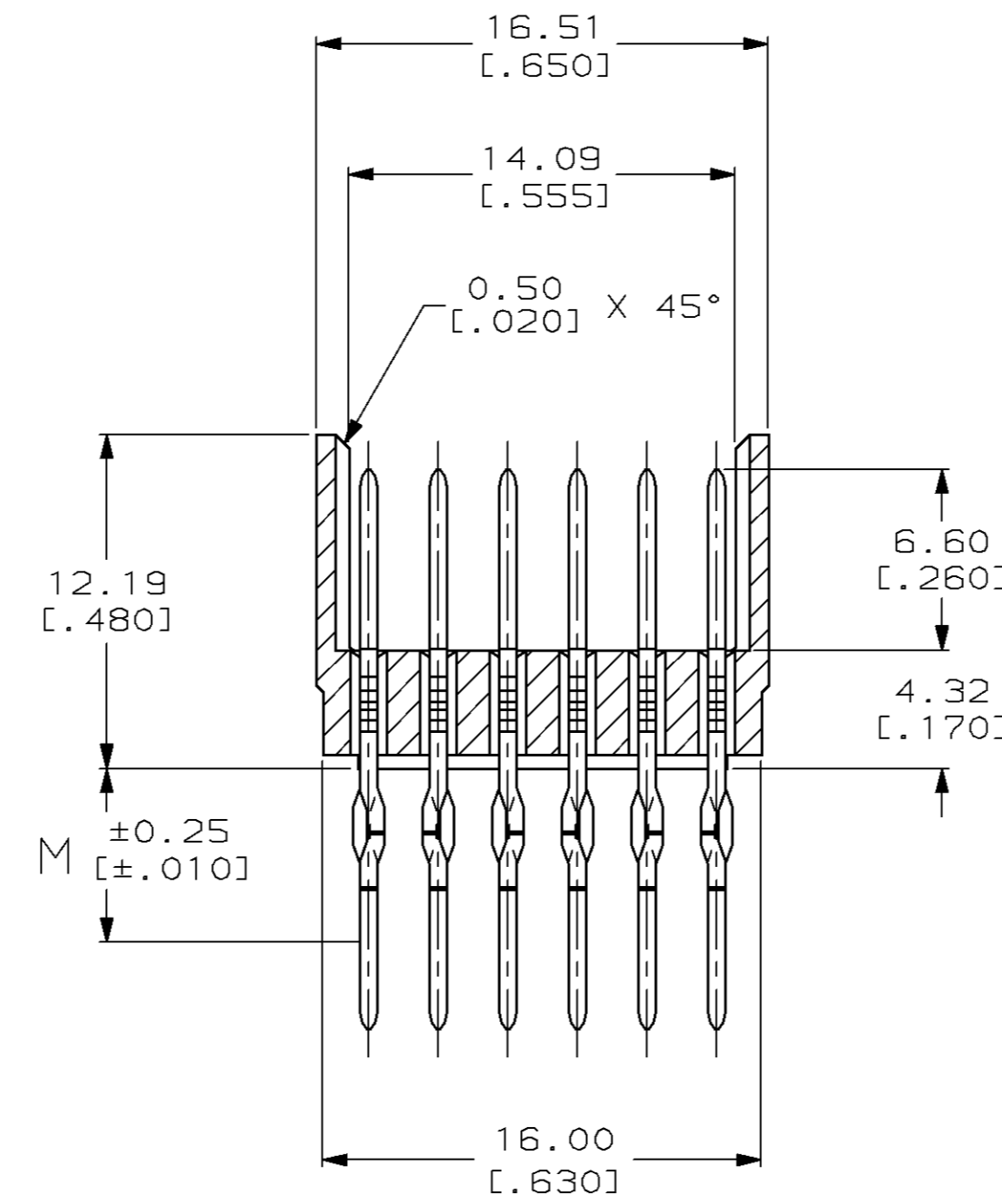
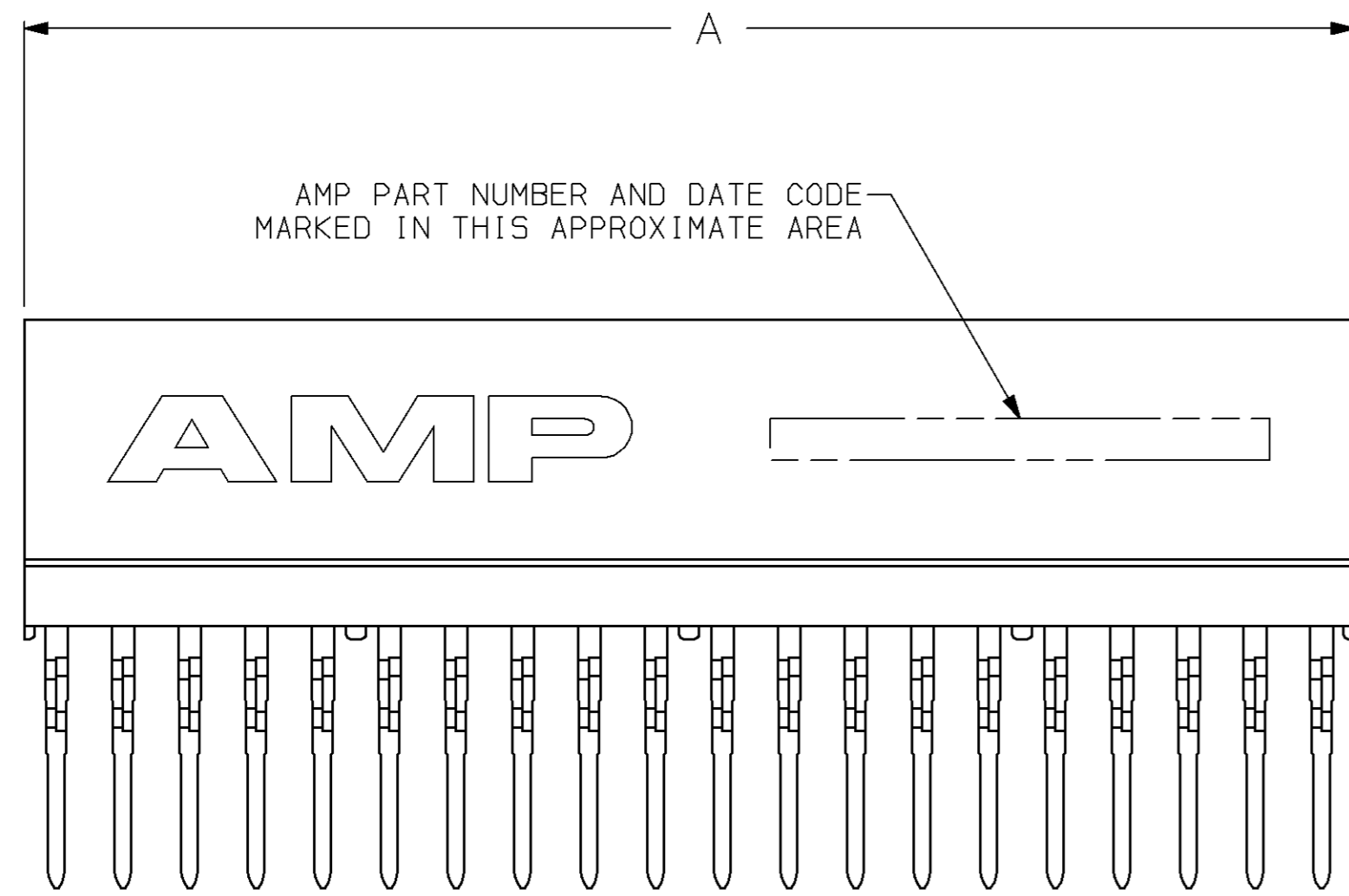
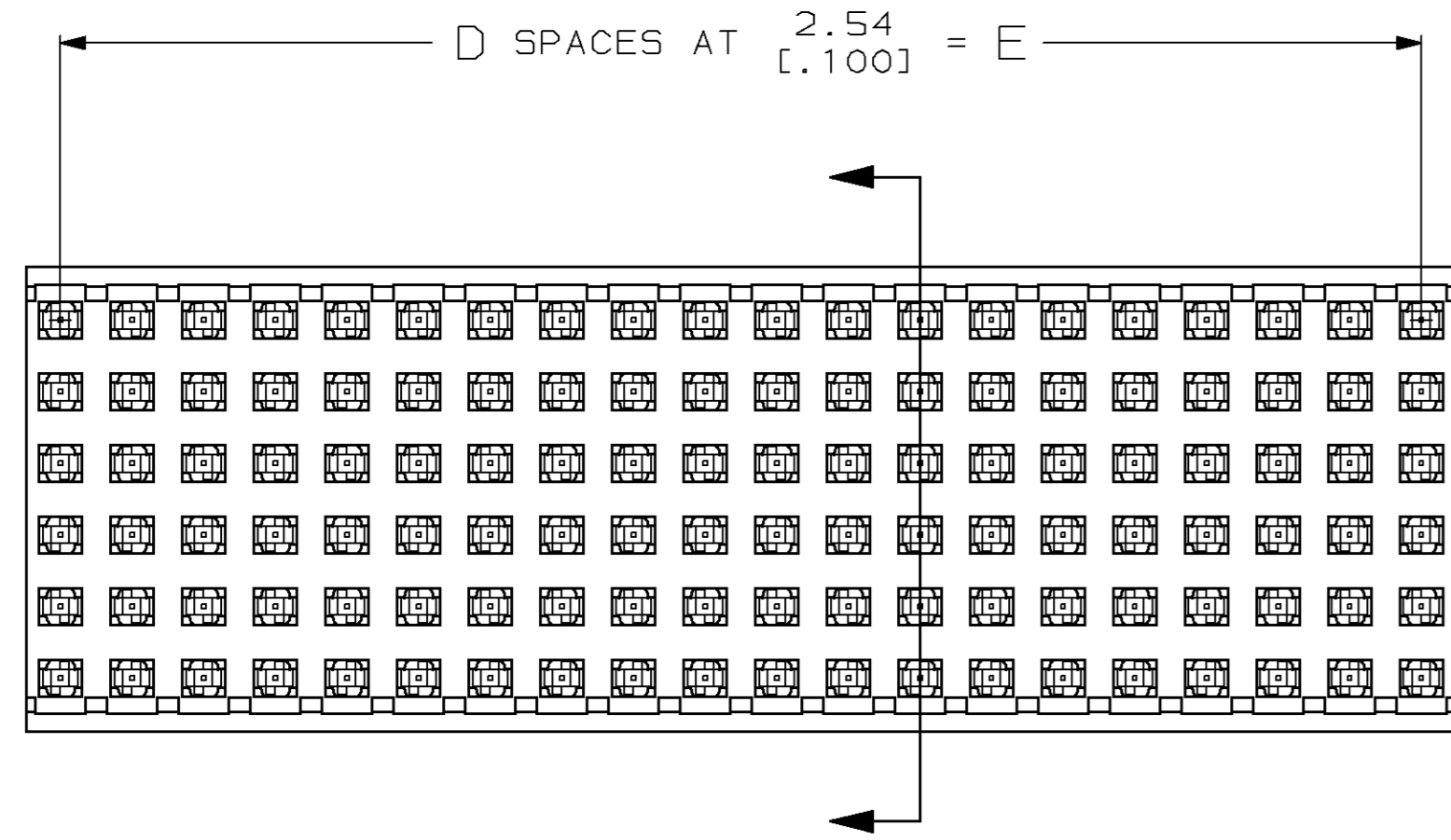
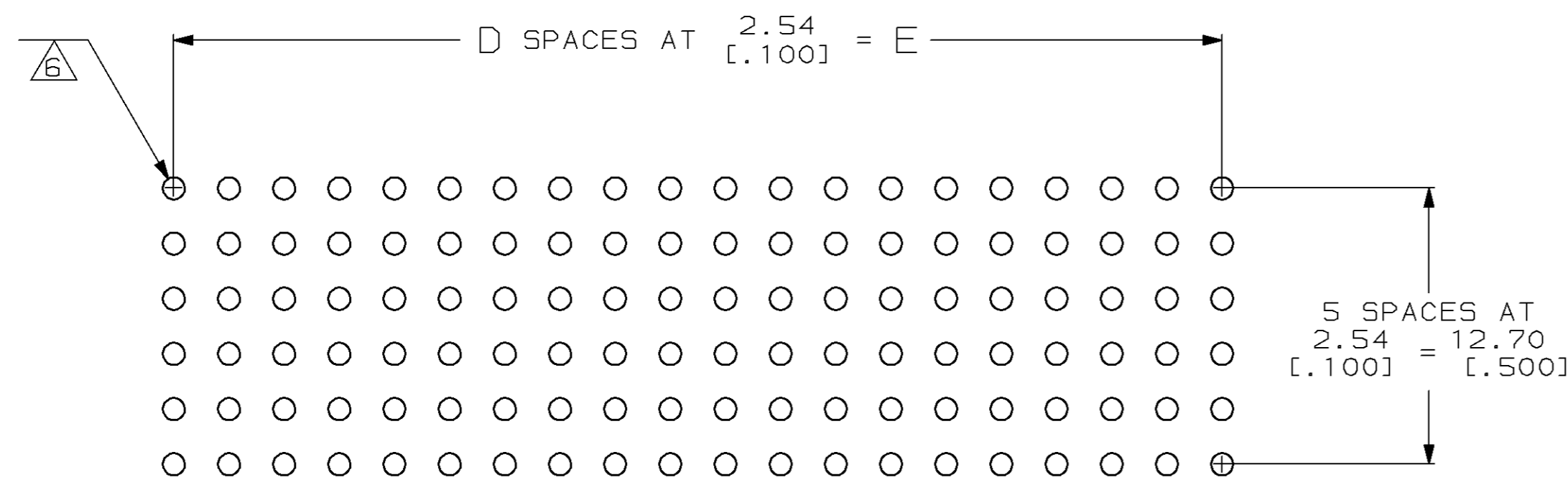


LOC		DIST		P		F		ZONE		LTR		REVISIONS				
AD	25											DESCRIPTION	DATE	APPD		
												C	ECN AD5182	-	-	
												D	REVISED PER ECN 0010-0984-93 T.S.	9-21-93	NS	
												E	PER EC 1422-95	T.S.	4-22-96	DH
												F	PER EC 0730-96	T.S.	7-2-96	JR
												G	PER EC 0010-0815-96	T.S.	2-3-97	WM



- ① HOUSING MATERIAL: GLASS FILLED POLYESTER, COLOR: BLACK.
- ② CONTACT MATERIAL: PHOSPHOR BRONZE.
- ③ CONTACT FINISH: 0.00127 [.000050] NICKEL UNDERPLATE ALL OVER. 0.00076 [.000030] GOLD PLATE IN CONTACT AREAS. TIN PLATE ON TAILS.
- ④ CONTACT FINISH: 0.00127 [.000050] NICKEL UNDERPLATE ALL OVER. 0.00076 [.000030] GOLD IN CONTACT AREAS AND LOWER 5.08 [.200] OF POSTS. GOLD FLASH ON REMAINDER.
- ⑤ GUIDE PINS AND KEYS SOLD SEPARATELY.
- ⑥ ACTION PIN POSTS REQUIRE 2.36 [.093] MIN THICK P.C. BOARD. RECOMMENDED P.C. BOARD HOLES ARE 1.151 [.0453] DIA PLATED THRU WITH 0.025-0.076 [.001-.003] COPPER AND 0.0076 [.0003] MIN TIN-LEAD. AFTER PLATING FINISHED HOLES SHALL BE 0.94-1.09 [.037-.043] DIA; AFTER REFLOW 0.91-1.09 [.036-.043] DIA.

OBSOLETE	④	9.52 [.375]	48.26 [1.900]	19	50.67 [1.995]	40	80	120	535841-8
OBSOLETE	④	9.52 [.375]	48.26 [1.900]	19	50.67 [1.995]	40	80	120	535841-7
	④	14.09 [.555]	48.26 [1.900]	19	50.67 [1.995]	40	80	120	535841-6
	④	14.09 [.555]	35.56 [1.400]	14	37.97 [1.495]	30	60	90	535841-5
	④	17.37 [.684]	48.26 [1.900]	19	50.67 [1.995]	40	80	120	535841-4
	④	17.37 [.684]	35.56 [1.400]	14	37.97 [1.495]	30	60	90	535841-3
	③	6.35 [.250]	48.26 [1.900]	19	50.67 [1.995]	40	80	120	535841-2
	③	6.35 [.250]	35.56 [1.400]	14	37.97 [1.495]	30	60	90	535841-1
FINISH		M	E	D	A	NO OF PLUS CONTACTS	NO OF SIGNAL CONTACTS	POSN	PART NO



RECOMMENDED P.C BOARD LAYOUT

METRIC

DO NOT SCALE PRINT. UNLESS SPECIFIED DIMENSIONS IN mm [INCHES] TOLERANCES ON: 2 PLC DEC ± 0.12 [.005] 3 PLC DEC ± - ANGLES ± -	DR 11/27/90 R. RINEHART/UTA CHK 9-21-93 N. SCHROLL APPD 9-21-93 N. SCHROLL APPD 9-21-93 N. SCHROLL PRODUCT SPEC -	AMP AMP Incorporated Harrisburg, PA 17105-3608	
MATERIAL ① ②	NAME TBC PLUS PIN ASSEMBLY MODULAR CENTER MODULE FULLY LOADED	SIZE D	CAGE CODE 00779
FINISH SEE TABLE	APPLICATION SPEC -	DRAWING NO 535841	SHEET 1 OF 1
WEIGHT -	SCALE 4:1	CUSTOMER DRAWING	