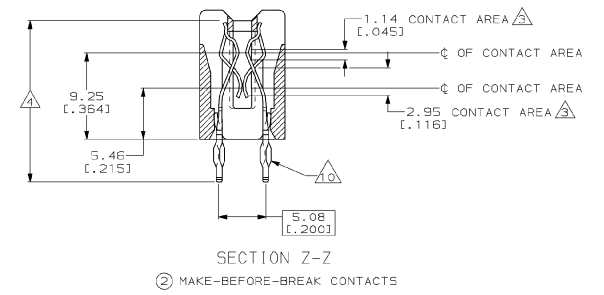
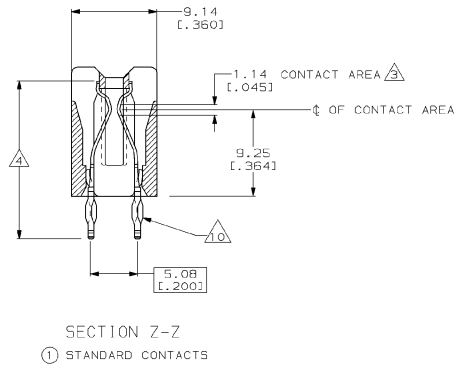
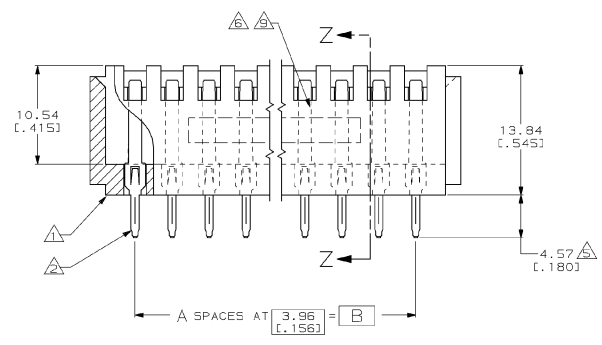
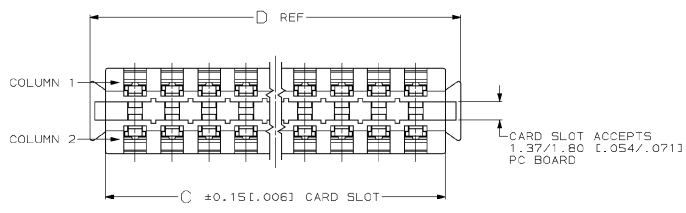


REV	DATE	BY	CHK	APPD	ZONE	LTN	DESCRIPTION	DATE	APPD
AD	14								
					A		REVISED PER 0010-0276-94	7/12/94	SG HR
					B		REVISED PER 0010-0313-94	9/26/94	SG HR
					C		REVISED PER 0010-0407-94	3/1/95	SG HR
					D		REVISED PER 0010-0200-95	3/23/95	RB HR
					E		REVISED PER 0010-1143-94	9/11/95	PB HR
					F		REVISED PER 0010-1531-95	11/29/95	RB HR

PART NO	COLUMN NO	CONTACT LOADING CHART (CARD SLOT VIEW)																														
		ROW NUMBER																														
-1	1	①	①	②	①	②	①	①	①	①	②	①	②	①	①	①	①	①	①	①	②	①	①	①	①	①	①	①	①	①	①	①
	2	①	①	②	①	②	①	①	①	①	②	①	②	①	①	①	①	①	①	①	②	①	①	①	①	①	①	①	①	①	①	①

- △ MATERIAL: VALOX 420 SE0, BLACK
- △ MATERIAL: STANDARD - COPPER NICKEL SHORTING - BERYLLIUM COPPER
- △ GOLD PL .00076 [(.000030)] MIN THK PER MIL-C-45204
- △ NICKEL PL .00127 [(.000050)] MIN THK PER QQ-N-290
- △ SOLDER PL .00076 [(.000030)] MIN THK.
- △ STAMPED P/N & DATE CODE.
- 7. OPTIONAL: KEYING PLUG FOR INTERCONTACT KEYING IS 118982-1
- 8. OPTIONAL: CARD GUIDE (BASE NO 117169)
- △ ALL PARTS ASSEMBLED IN MEXICO MUST BE STAMPED "ASSY IN MEXICO". THE WORD "MEXICO" CAN BE SUBSTITUTED ONLY WHERE PART SIZE PROHIBITS STAMPING "ASSY IN MEXICO", INK PER 115-3009, APPROX WHERE SHOWN, SIDE OPTIONAL.
- △ ACTION PIN REQUIRES 2.13[.084] MIN THK PC BOARD.

REQ'D DRILL SIZE	HOLE DIA. #.03[.001]	PLATING THICKNESS		HOLE DIAMETER		COPPER HARDNESS (KNOOP)	PAD DIA MIN	
		COPPER	TIN/LEAD	AFTER PLATING	AFTER REFLOW			
1.15mm	1.15 [(.0453)]	0.03-0.08 [(.001-.003)]	0.008 MIN [(.0003)] MIN	0.94-1.09 [(.037-.043)]	0.914-1.09 [(.036-.043)]	150 MAX	1.57 [(.062)]	
1.15mm	1.15 [(.0453)]	NOT PLATED THRU						1.63 [(.065)]



118.21 [4.654]		114.91 [4.524]		106.99 [4.212]		27	28	536234-1
D		C		B		A	POSN	PART NO
DO NOT SCALE PRINT. UNLESS SPECIFIED DIMENSIONS IN MM (INCHES) TOLERANCES ON 1 2 P.LC DEC ± 0.25 (.010) ANGLES								
DR 10-FEB-93 D.L. LORR			CHK 7/12/94 H. ROSE			AMPD 7/12/94 H. ROSE		
MATERIAL			AMPD 7/12/94 P. THURMA			PRODUCT SPEC		
FINISH			APPLICATION SPEC			WEIGHT		
AMP INCORPORATED Harrisburg, PA 17105-3608			NAME			CONNECTOR AMP PACE .156x.200 SELECT LOAD		
SIZE			CASE CODE			DRAWING NO		
D			00779			C-536234		
SCALE 4:1			SHEET			1 OF 1		

THIS DRAWING IS A CONTROLLED DOCUMENT FOR AMP INCORPORATED. IT IS SUBJECT TO CHANGE AND THE CONTROLLING ENGINEERING ORGANIZATION SHOULD BE CONTACTED FOR THE LATEST REVISION.