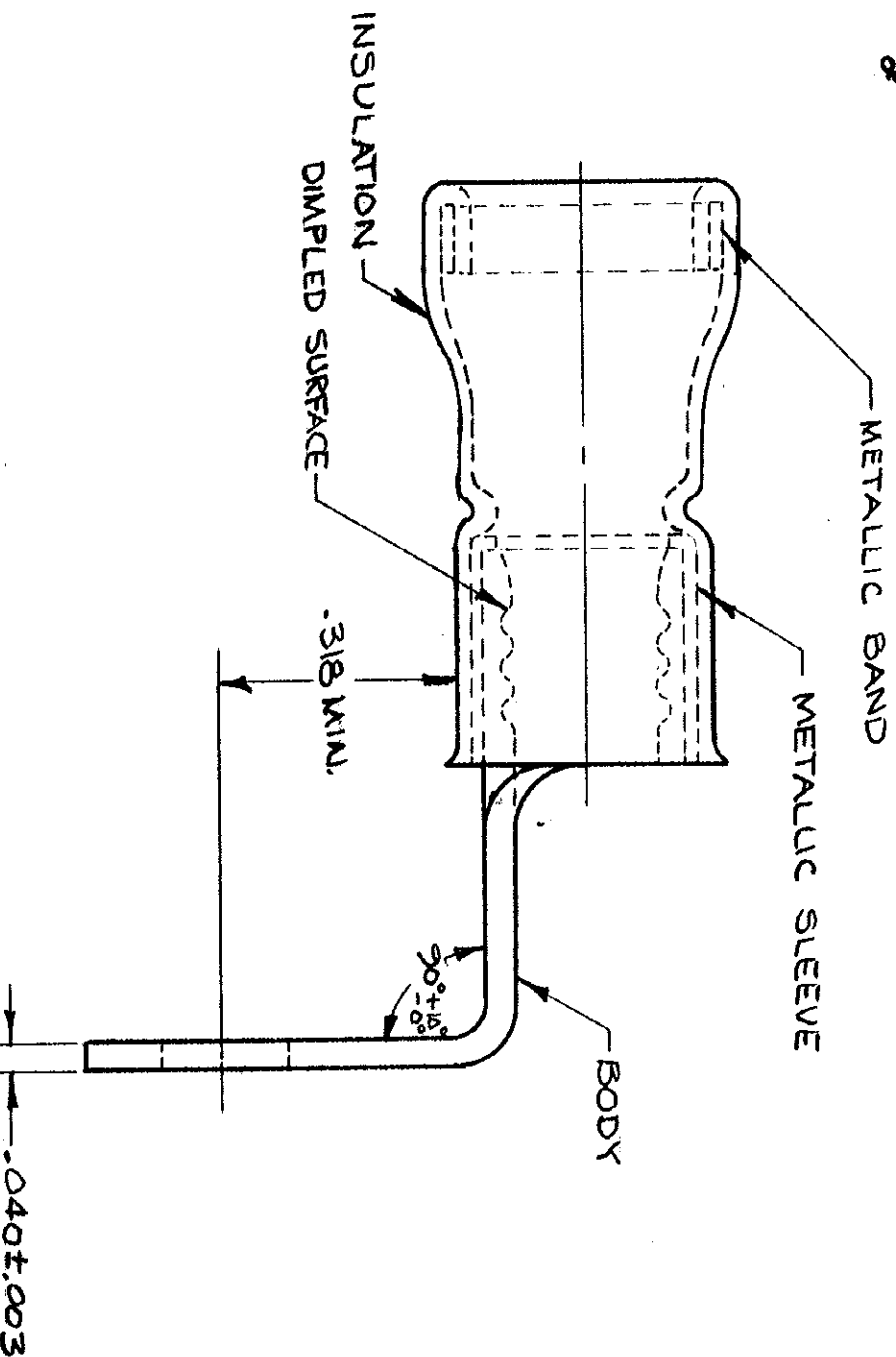


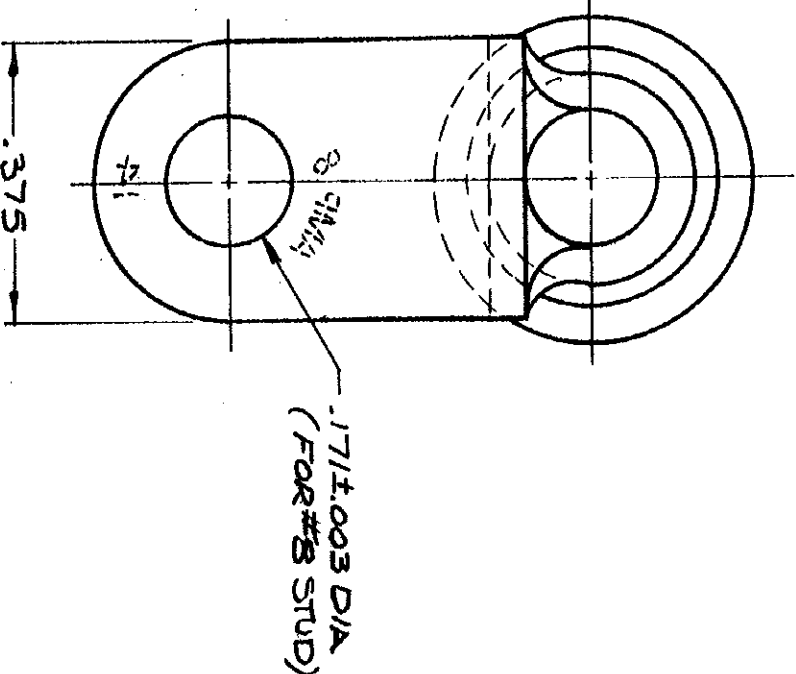
© COPYRIGHT 1978 BY AMP INCORPORATED, HARRISBURG, PA.
 ALL INTERNATIONAL RIGHTS RESERVED. AMP INCORPORATED PRODUCTS
 COVERED BY U. S. AND FOREIGN PATENTS AND/OR PATENTS PENDING.

DO NOT SCALE DRAWING
ALL DIMENSIONS ARE TO CENTER UNLESS OTHERWISE SPECIFIED



FOR .298 MAX DIA. WIRE INSULATION

REVISIONS						
P	E	ZONE	LTR	DESCRIPTION	DATE	APPROVED
✓	✓	0		NPS 77-0307	CE	1-3-78
✓	✓	A		REV. PER P-8347	REB	4/17/79
✓	✓	B	REV	G-4680	TMS	5-9-80
						JT



BODY: COPPER (QQ-C-576)	
INSULATION: PVC COLOR: RED	
METALLIC SLEEVE: COPPER (QQ-C-576)	54575-1
METALLIC BAND: STEEL QQ-S-698 ASTM A109	
MATERIAL & FINISH	PART NO



NAME: WIRE TERMINAL
 AMPLI-BOND-RING TONGUE - 90° BENT
 WIRE SIZE: #8

UNLESS OTHERWISE SPECIFIED DIMENSIONS ARE IN INCHES. TOLERANCES ON: DECIMALS ±.008 ANGLES ± 5°		CONTRACT NO	DR	1-3-78	
MATERIAL	SEE TABLE	CHK	M. H. H. H.	1-4-78	
FINISH	SEE TABLE	APPD			
		DSGN APPD	D. H. H. H.	1-4-78	
		OTHER APPD			
SIZE	B	CODE IDENT NO	00779	DRAWING NO	54575
SCALE	4:1	SHEET	1061		