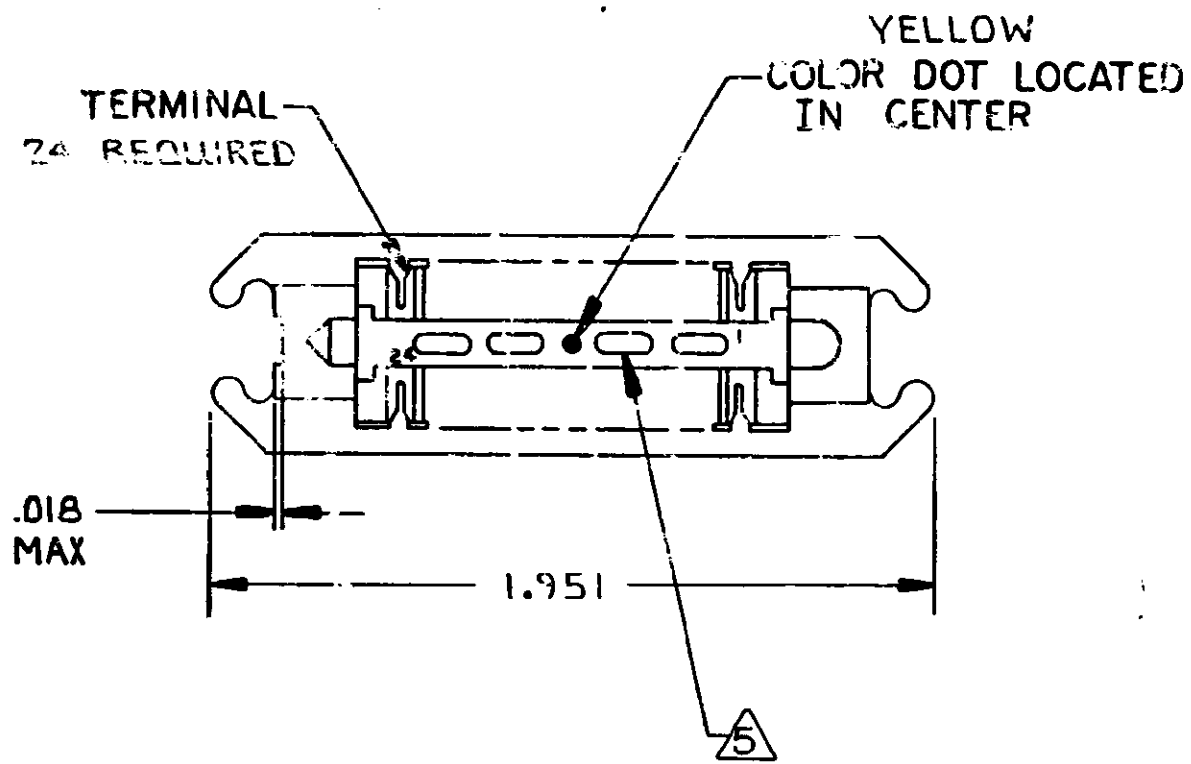
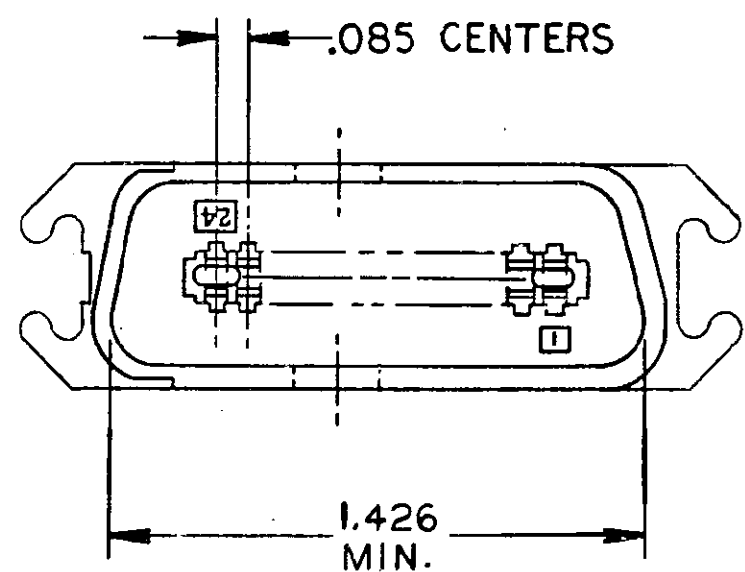
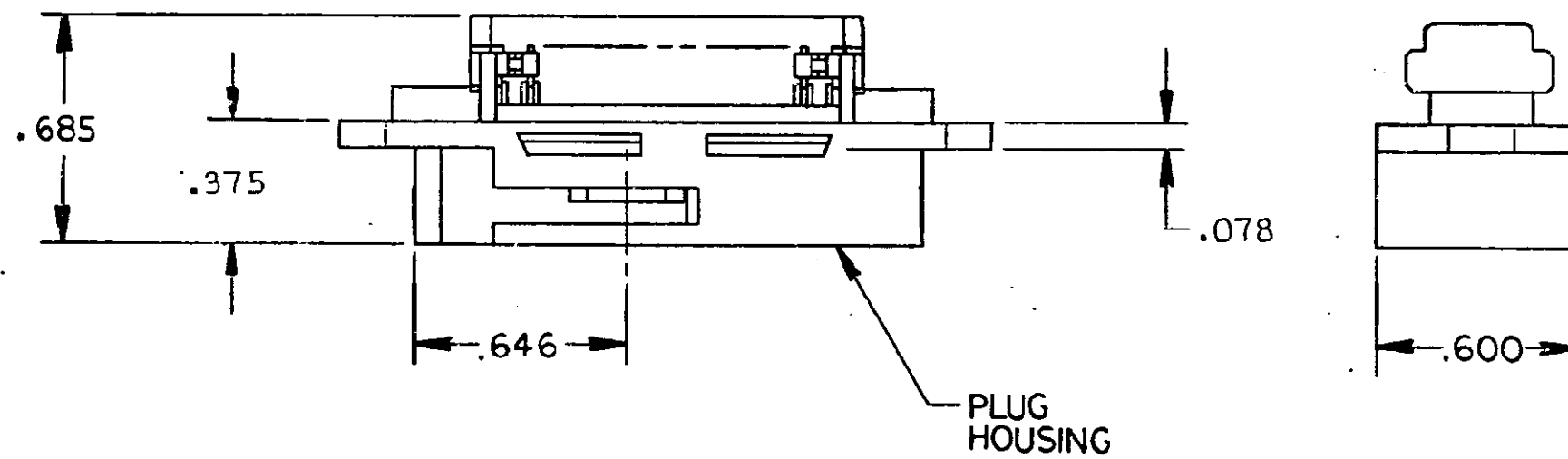


© COPYRIGHT 1974 BY AMP INCORPORATED, HARRISBURG  
ALL INTERNATIONAL RIGHTS RESERVED, AMP INCORPORATED PRODUCTS  
COVERED BY U. S. AND FOREIGN PATENTS AND/OR PATENTS PENDING.

REVISIONS						
P	F	ZONE	LTR	DESCRIPTION	DATE	APPROVE
G			G	REVISED ECN AA-1315	10-5-89	LHS



1. THE CONTACT SURFACES OF THE TERMINALS ARE COATED WITH LUBRICANT.
  2. ALL DIMENSIONS SHOWN ARE FOR REFERENCE ONLY UNLESS OTHERWISE SPECIFIED.
  3. MATERIAL: HOUSING-THERMOPLASTIC (BLACK)  
TERMINALS-GOLD OVER NICKEL  
PLATED HIGH STRENGTH COPPER ALLOY
  4. WIRE SIZE: 26,27 OR 28 AWG 7 STRANDS OF COPPER CONDUCTORS. MAX INSULATION DIA OF .045 IS ACCEPTABLE FOR MOST APPLICATIONS.
- △ CORING MAY OR MAY NOT APPEAR AND IS AT THE DISCRETION OF AMP INCORPORATED.



552469-1 AS SHOWN

UNLESS OTHERWISE SPECIFIED DIMENSIONS ARE IN INCHES. TOLERANCES ON: DECIMALS ± # ANGLES ± #		CONTRACT NO		PART NO	
MATERIAL		DR <i>A. Helt 3-6-81</i>		AMP INCORPORATED Harrisburg, Pa.	
FINISH		CHK <i>MD Fred 3-30-81</i>		NAME	
△ 3		APPD <i>Nov 3-30-81</i>		ASSEMBLY, PLUG, 24 POSITION, E SLOT (CHAMP-LOK, BAIL LOCK)	
△ 3		APPD <i>P. K. D. 3/30/81</i>		SIZE CODE IDENT NO DRAWING NO	
		DSGN APPD		C 00779 552469	
		OTHER APPD		SCALE 2/1 SHEET 1 OF 1	
		<i>Q. T. 12-17-87</i>			