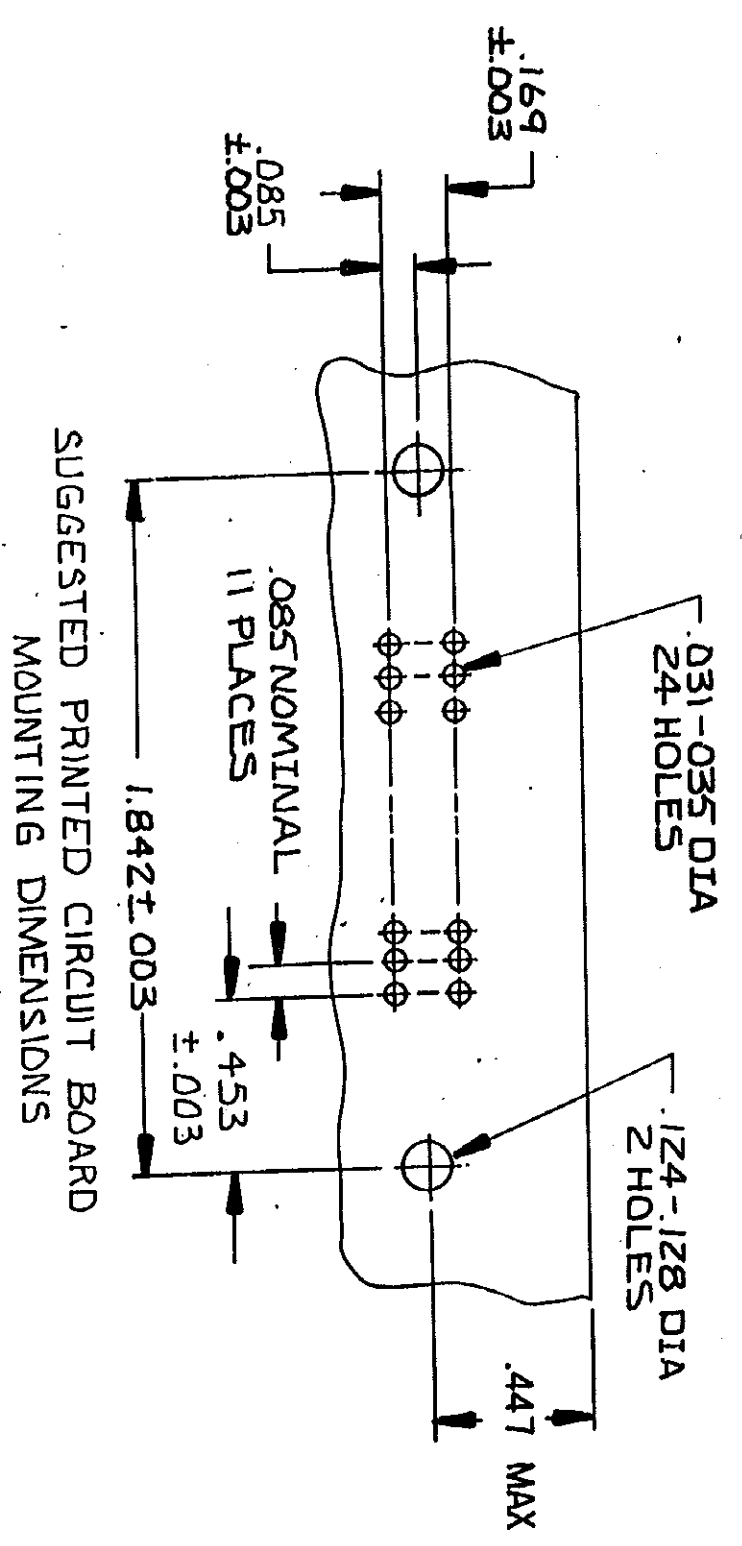
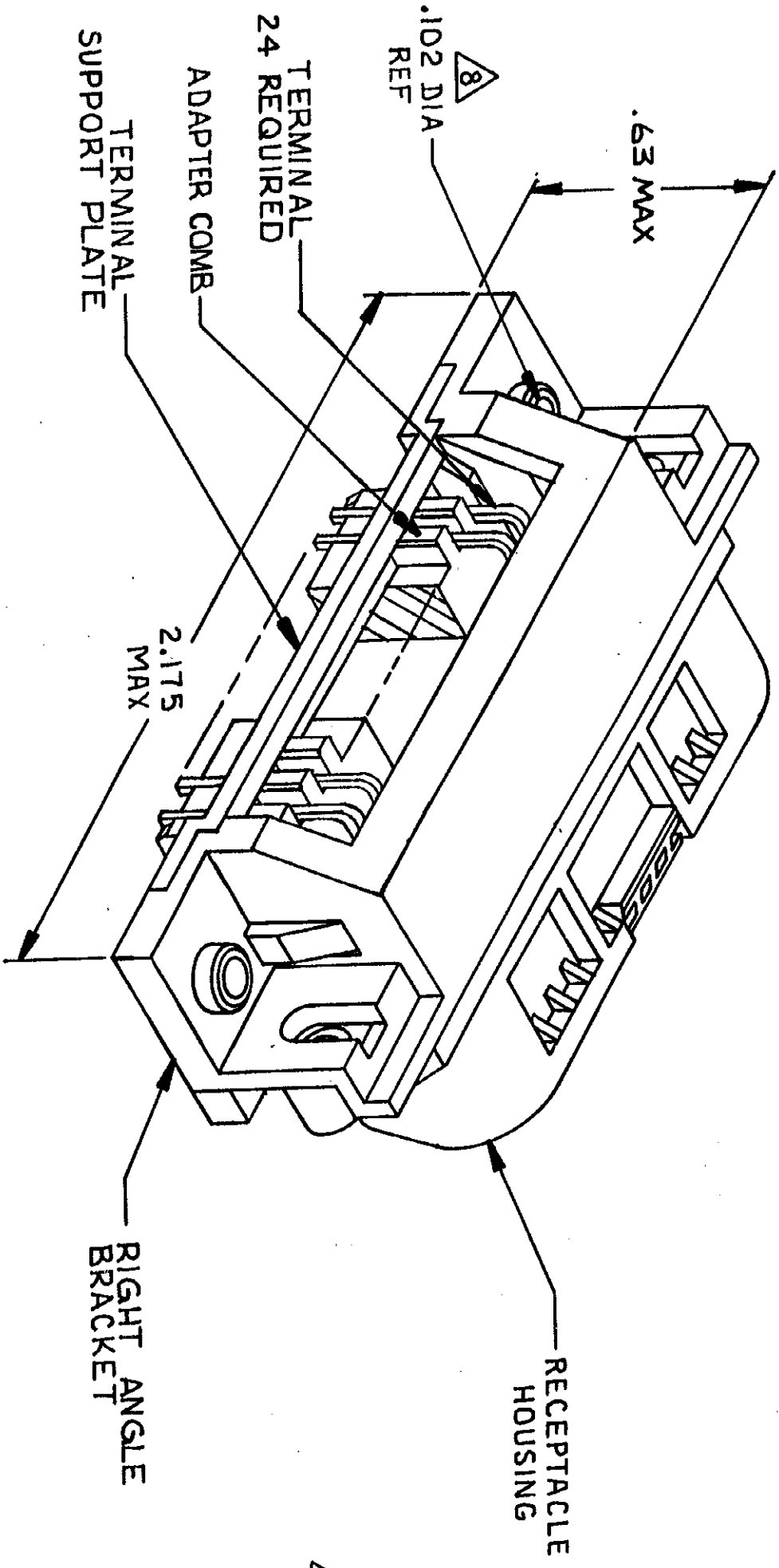
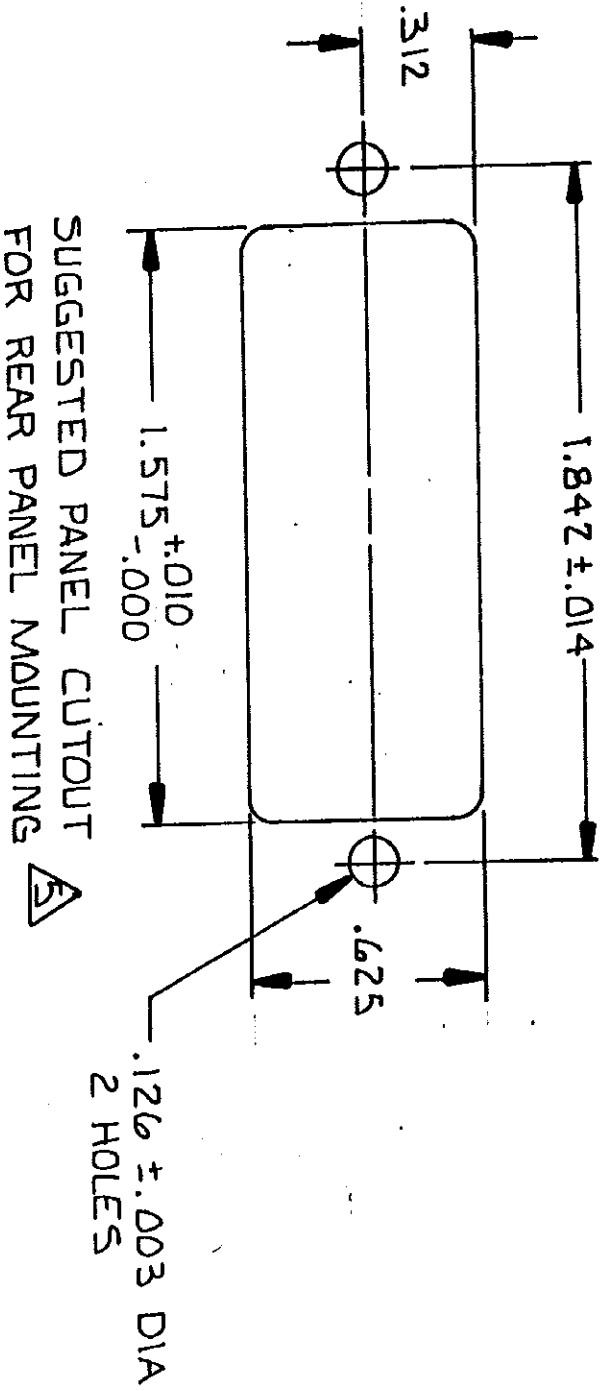
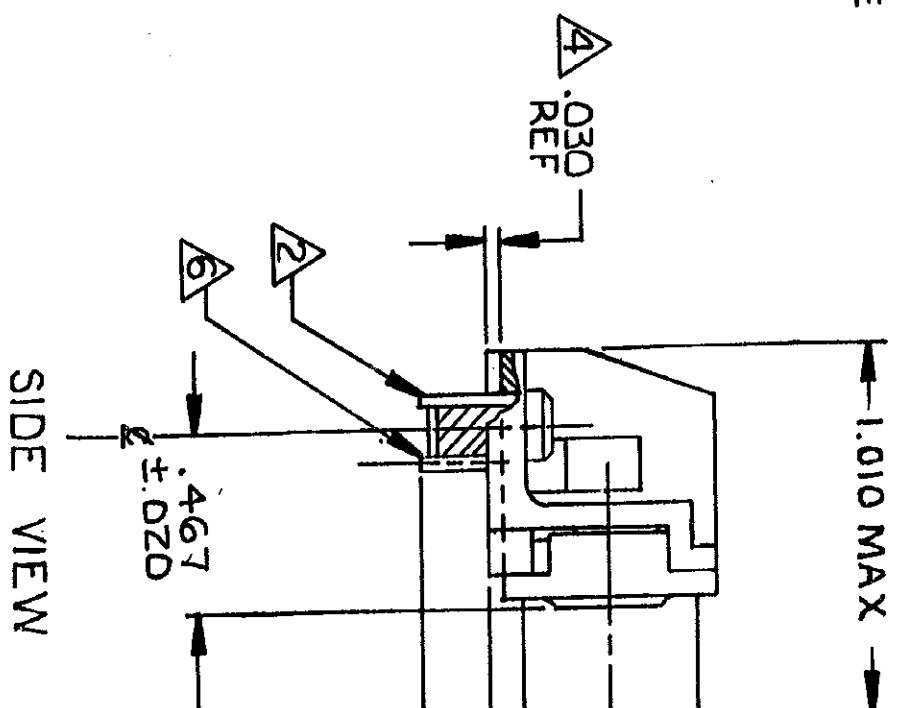


REVISIONS		DATE	APPROVED	LOC	DIST
P	F	ZONE	TR	DESCRIPTION	
N	N	N	N	OBsolete-3, 4, ECN AA-5985	2/2/82
					N.L.

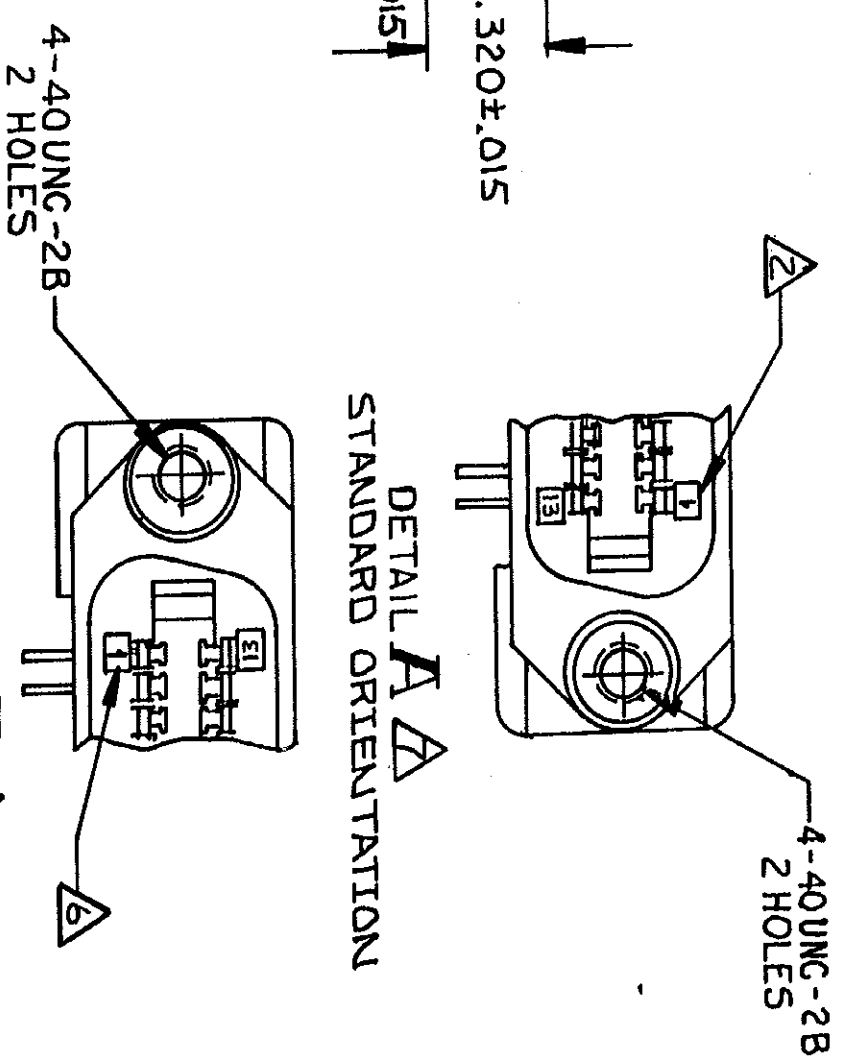


SUGGESTED PRINTED CIRCUIT BOARD MOUNTING DIMENSIONS

- △ MATERIAL: HOUSING BRACKET PLATE AND COMB-THERMOPLASTIC (BLACK) 94V-0 RATED. TERMINALS-TAILST-TIN LEAD OVER NICKEL PLATED HIGH STRENGTH COPPER ALLOY. MATING SURFACE-LOCALIZED GOLD OVER NICKEL PLATED HIGH STRENGTH COPPER ALLOY.
- △ TERMINAL 1 LOCATED IN THIS ROW FOR 552740-1.
- △ TERMINAL SUPPORT PLATE CLEARANCE FOR TERMINAL STRAIN RELIEF AND FLUX REMOVAL.
- △ PANEL THICKNESS RANGE: .062.
- △ TERMINAL 1 LOCATED IN THIS ROW FOR 552740-2.
- △ DETAILS A & B ARE VIEWED FROM MATING, SIDE OF RECEPTACLE ASSEMBLY.
- △ FOR USE WITH A NO. 4 BT TYPE SELF-TAPPING SCREW.



SIDE VIEW



UNLESS OTHERWISE SPECIFIED DIMENSIONS ARE IN INCHES. TOLERANCES ON: DECIMALS ± .005 ANGLES		CONTRACT NO.		TYPE OF MOUNTING		DESCRIPTION		PART NO.	
MATERIAL		DR. Q. Holt 2-11-82		SELF-TAPPING △		SEE DETAIL B △		552740-2	
FINISH		CHK. MD Jones 2-25-82		SEE DETAIL A △		SEE DETAIL A △		552740-1	
APPROVED		APPROVED		NAME		ASSEMBLY, RECEPTACLE, 24 POSITION, RIGHT ANGLE, PRINTED CIRCUIT BOARD (CHAMP-LOK, THRU-BOLT & SELF-TAPPING)		DRAWING NO.	
APPROVED		APPROVED		FINISH		SCALE		SHEET	
OTHER APPD		OTHER APPD		C		2 / 1		1 OF 1	

AMP INCORPORATED Harrisburg, Pa. 17105

CUSTOMER DRAWING

552740