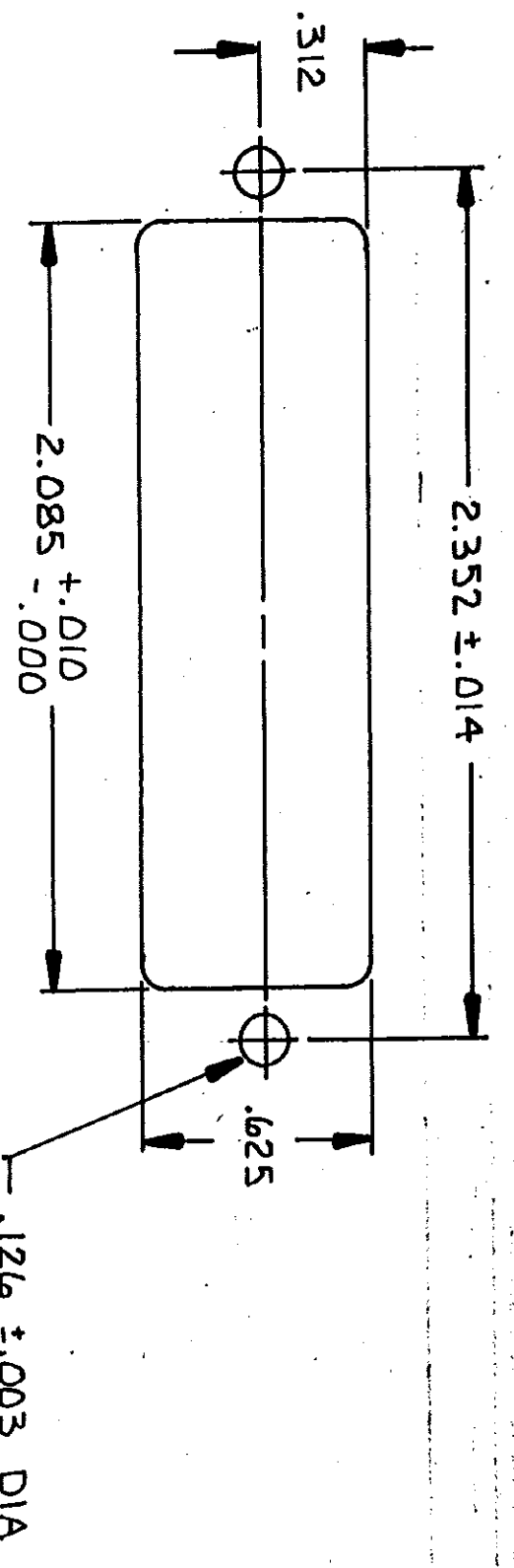
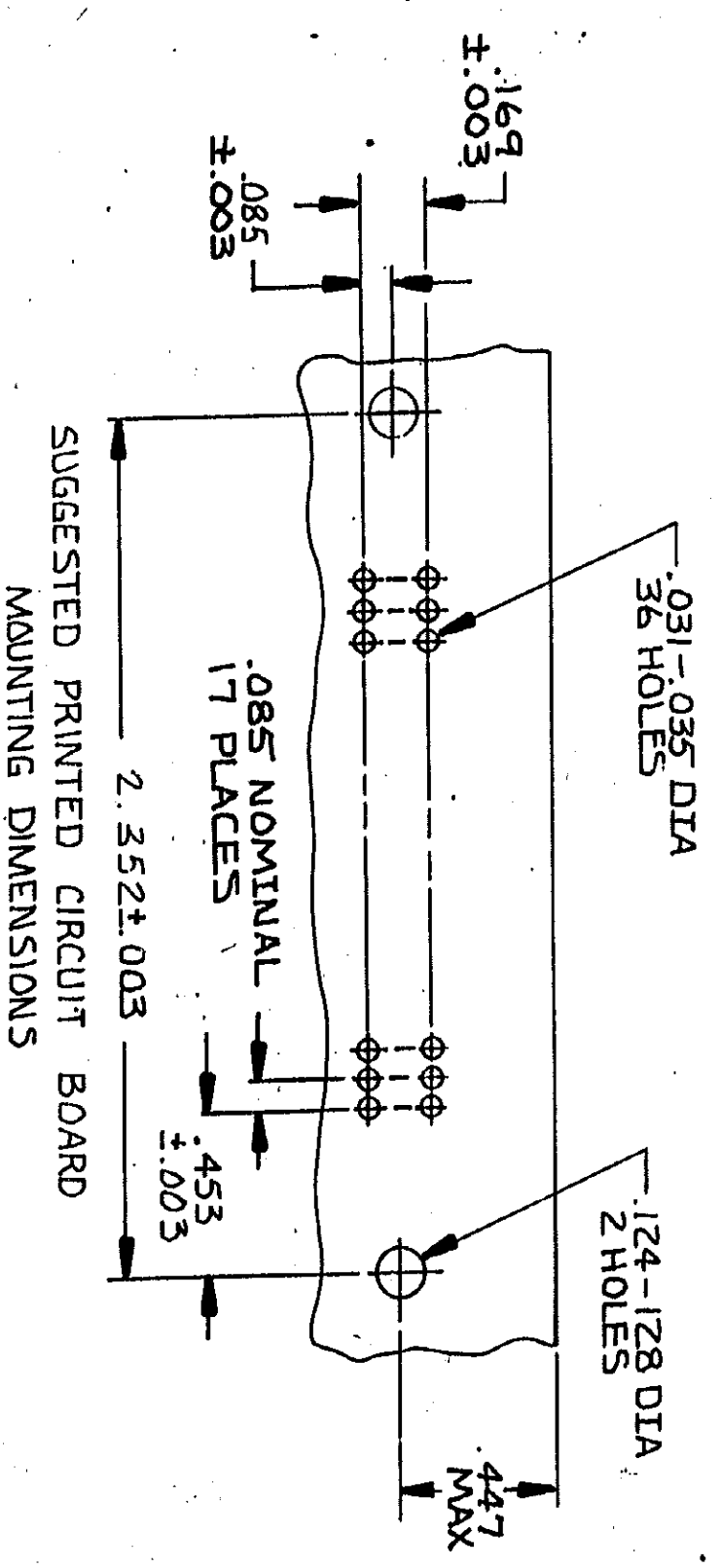
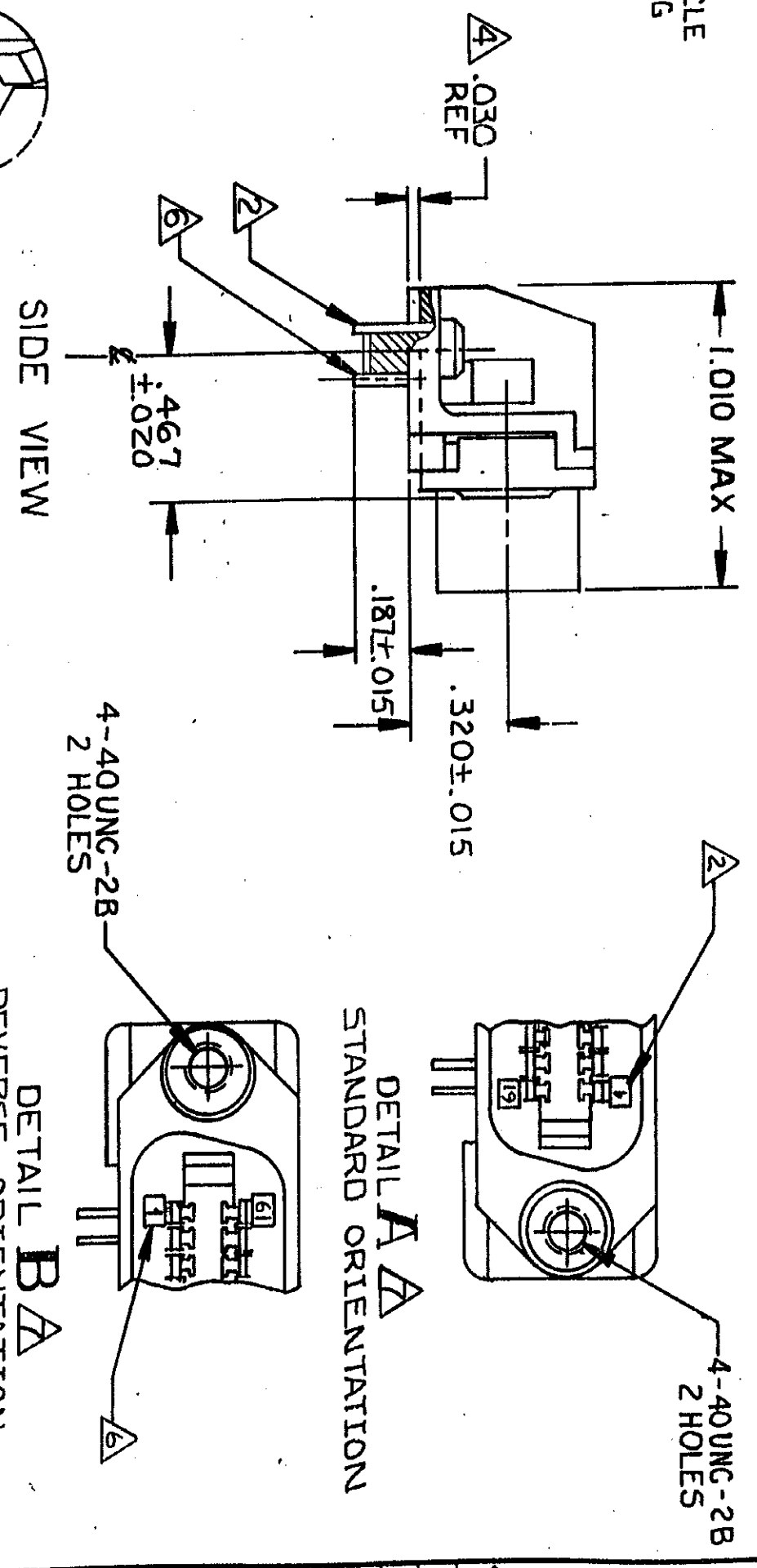
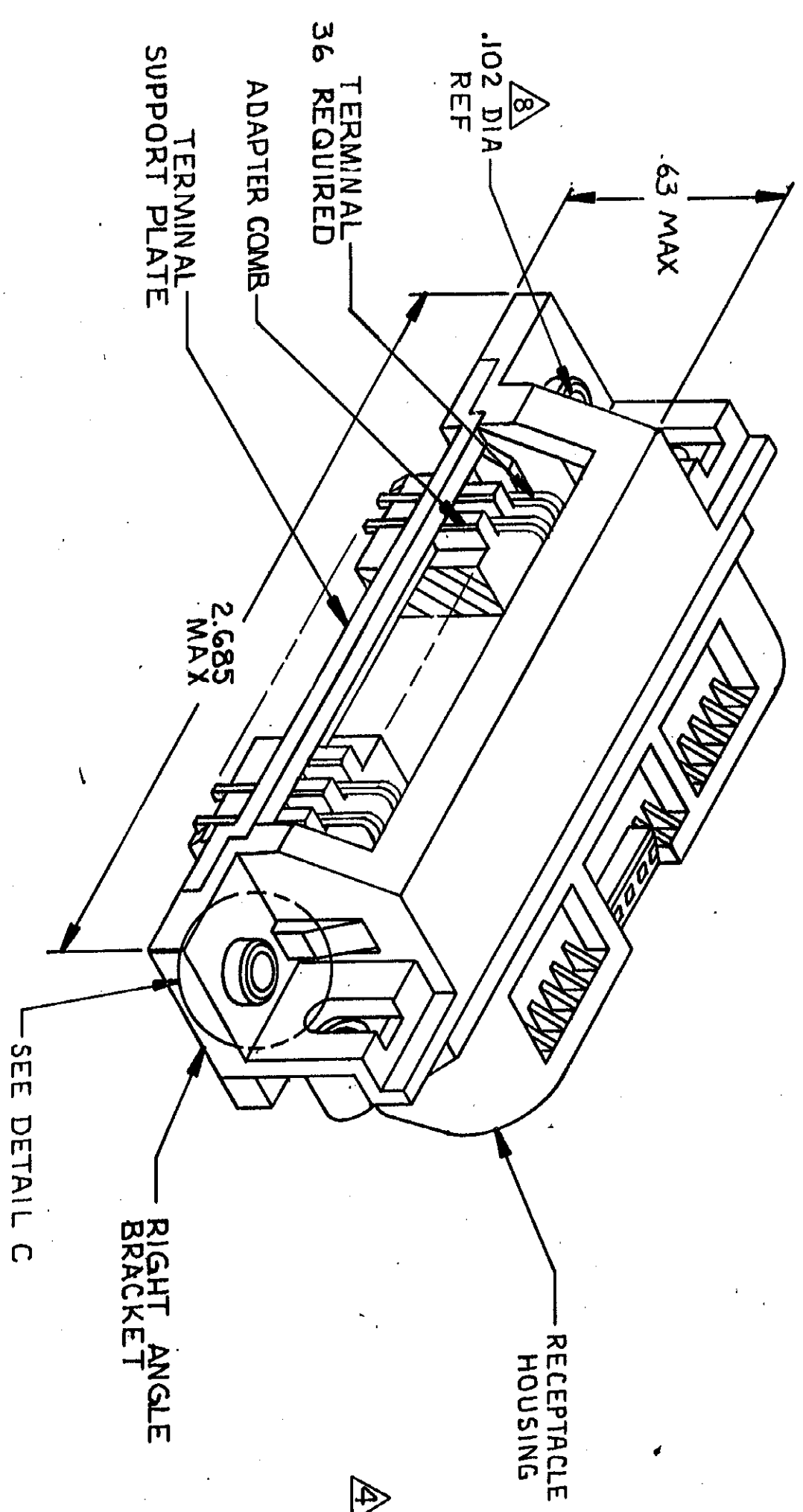


REV	DATE	APPROVED	LOC	DIST
1	5/31/82	STW	AA	21

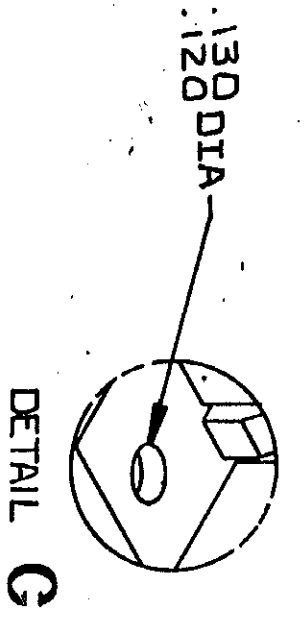


SUGGESTED PANEL CUTOUT
 FOR REAR PANEL MOUNTING

- ▲ MATERIAL: HOUSING, BRACKET, PLATE AND COMB-THERMOPLASTIC, BLACK, 94V-0 RATED. TERMINALS-TAILS-TIN LEAD OVER NICKEL PLATED HIGH STRENGTH COPPER ALLOY. MATING SURFACE-LOCALIZED GOLD OVER NICKEL PLATED HIGH STRENGTH COPPER ALLOY.
- ▲ TERMINAL 1 LOCATED IN THIS ROW FOR 552742-1 AND -3.
- ▲ TERMINAL SUPPORT PLATE CLEARANCE FOR TERMINAL STRAIN RELIEF AND FLUX REMOVAL.
- ▲ PANEL THICKNESS RANGE: .062.
- ▲ TERMINAL 1 LOCATED IN THIS ROW FOR 552742-2 & -4.
- ▲ DETAILS A & B ARE VIEWED FROM MATING SIDE OF RECEPTACLE ASSEMBLY.
- ▲ FOR USE WITH A NO. 4 BT TYPE SELF-TAPPING SCREW.



SUGGESTED PRINTED CIRCUIT BOARD
 MOUNTING DIMENSIONS



THRU-BOLT	SEE DETAIL A	552742-3
SEE DETAIL C	SEE DETAIL B	552742-2
SELF-TAPPING	SEE DETAIL A	552742-1

UNLESS OTHERWISE SPECIFIED DIMENSIONS ARE IN INCHES. TOLERANCES ON: DECIMALS ± ANGLES		CONTRACT NO.		AMP INCORPORATED Harrisburg, Pa. 17105	
MATERIAL		DR	Q. No. 2-10-82	NAME	
FINISH		CHK	MDJ/EL 2/26/82	ASSEMBLY, RECEPTACLE, 36	
		APPD	MDJ/EL 3/13/82	POSITION, RIGHT ANGLE, PRINTED	
		DESIGN APPD	MDJ/EL 3/18/82	CIRCUIT BOARD (CHAMP-LOK,	
		OTHER APPD		THRU-BOLT & SELF-TAPPING)	
SIZE	FSCM NO.	DRAWING NO.			
C	00779	552742			
SCALE	2/1	SHEET	1 OF 1		