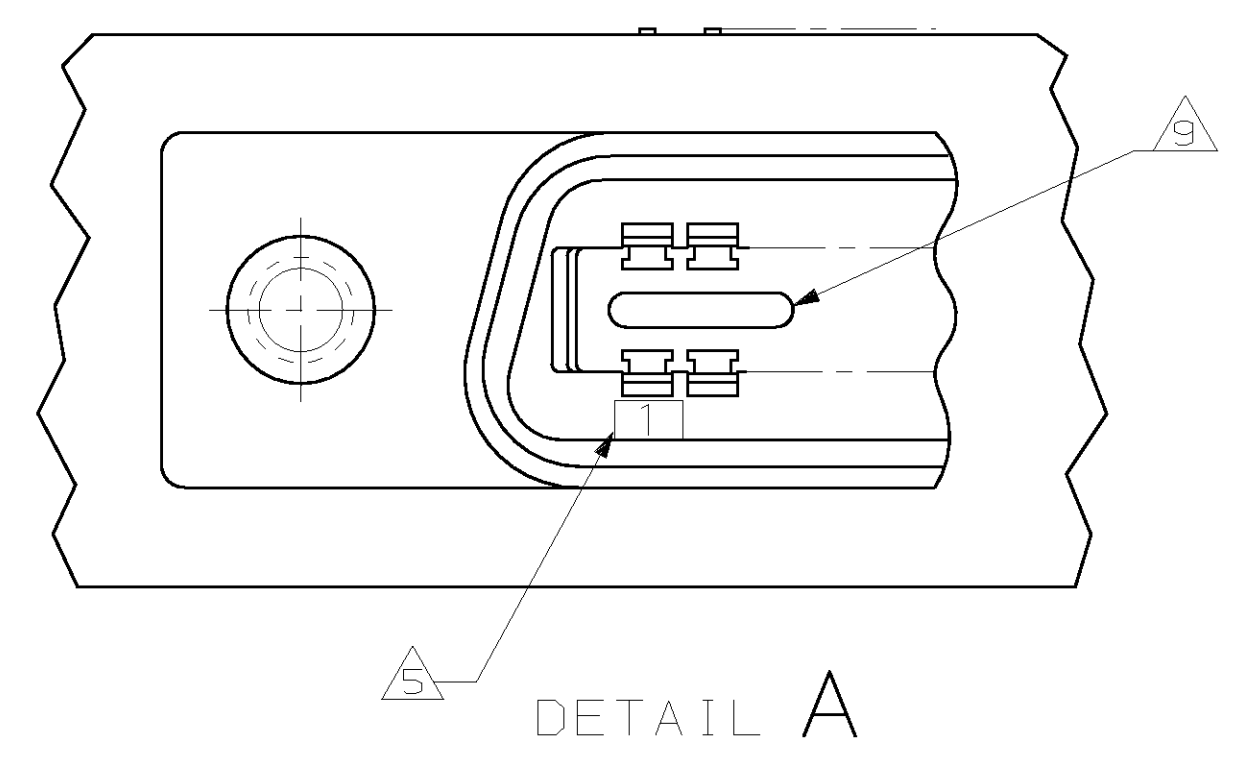
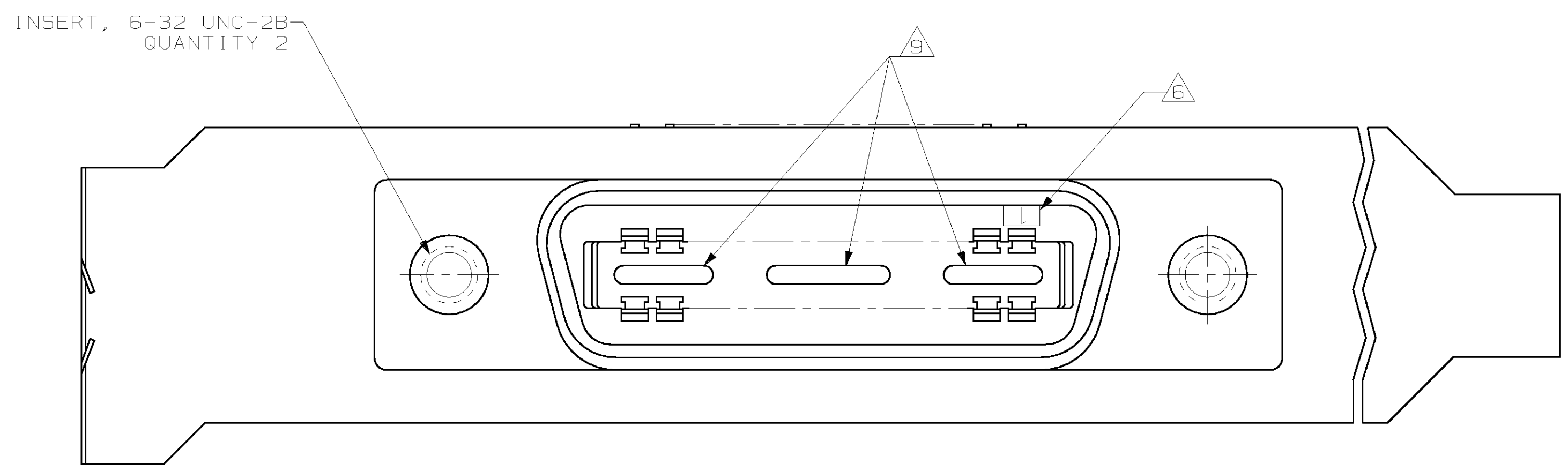
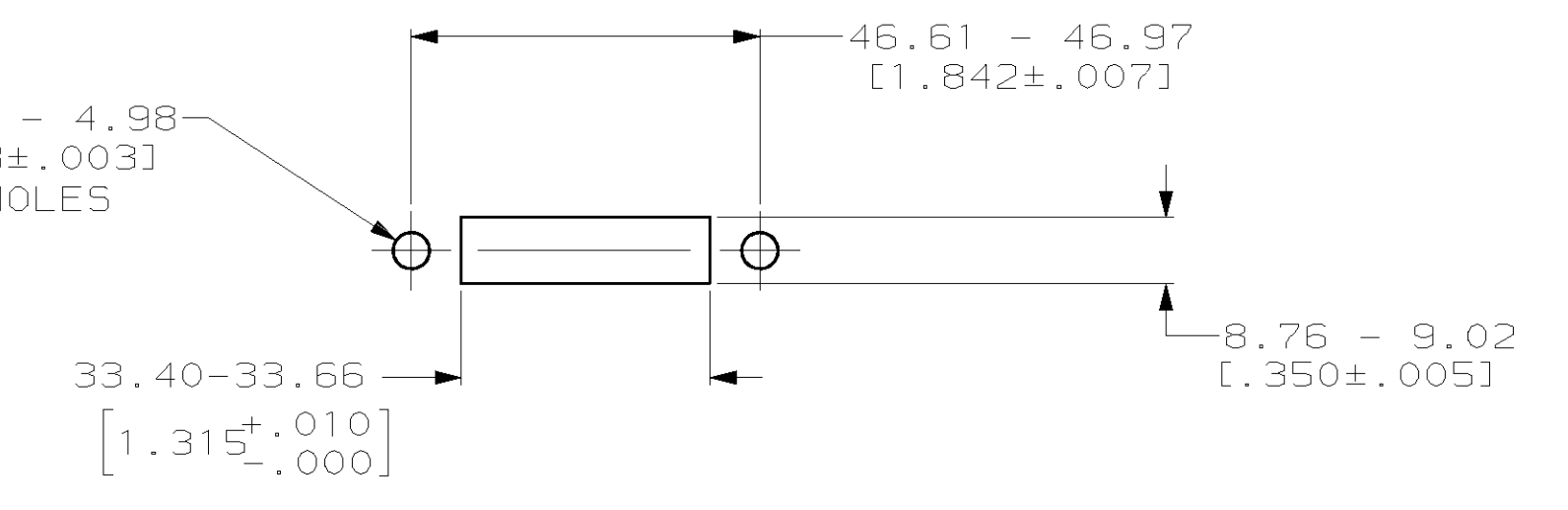
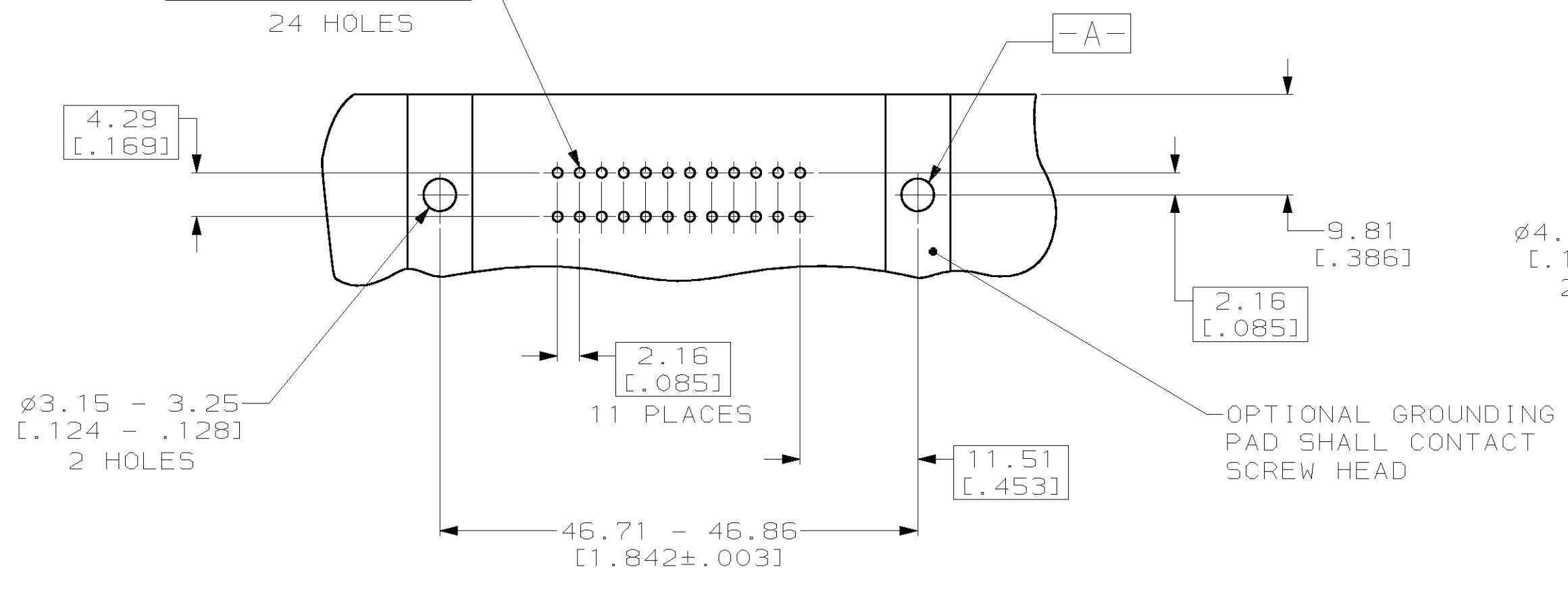
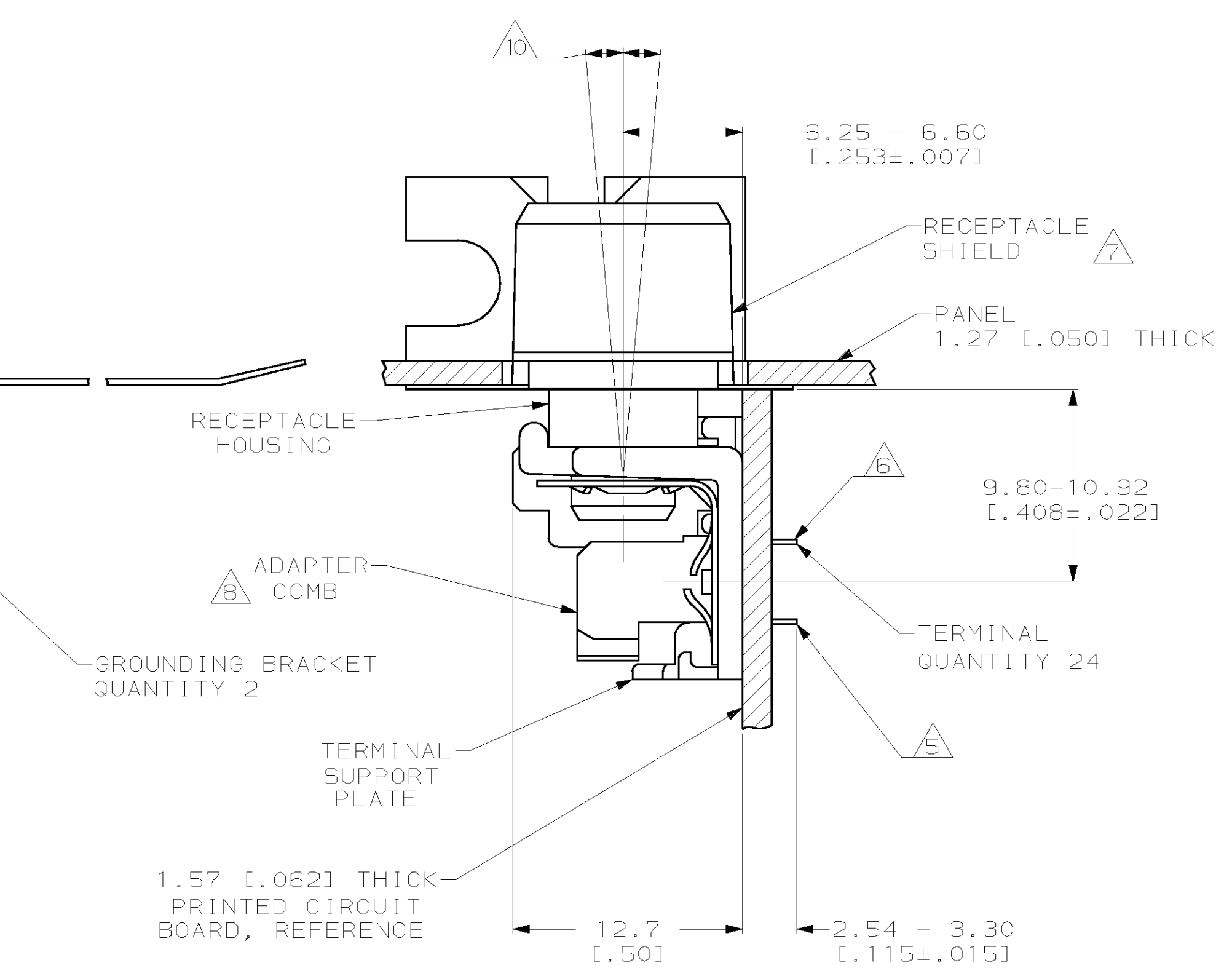
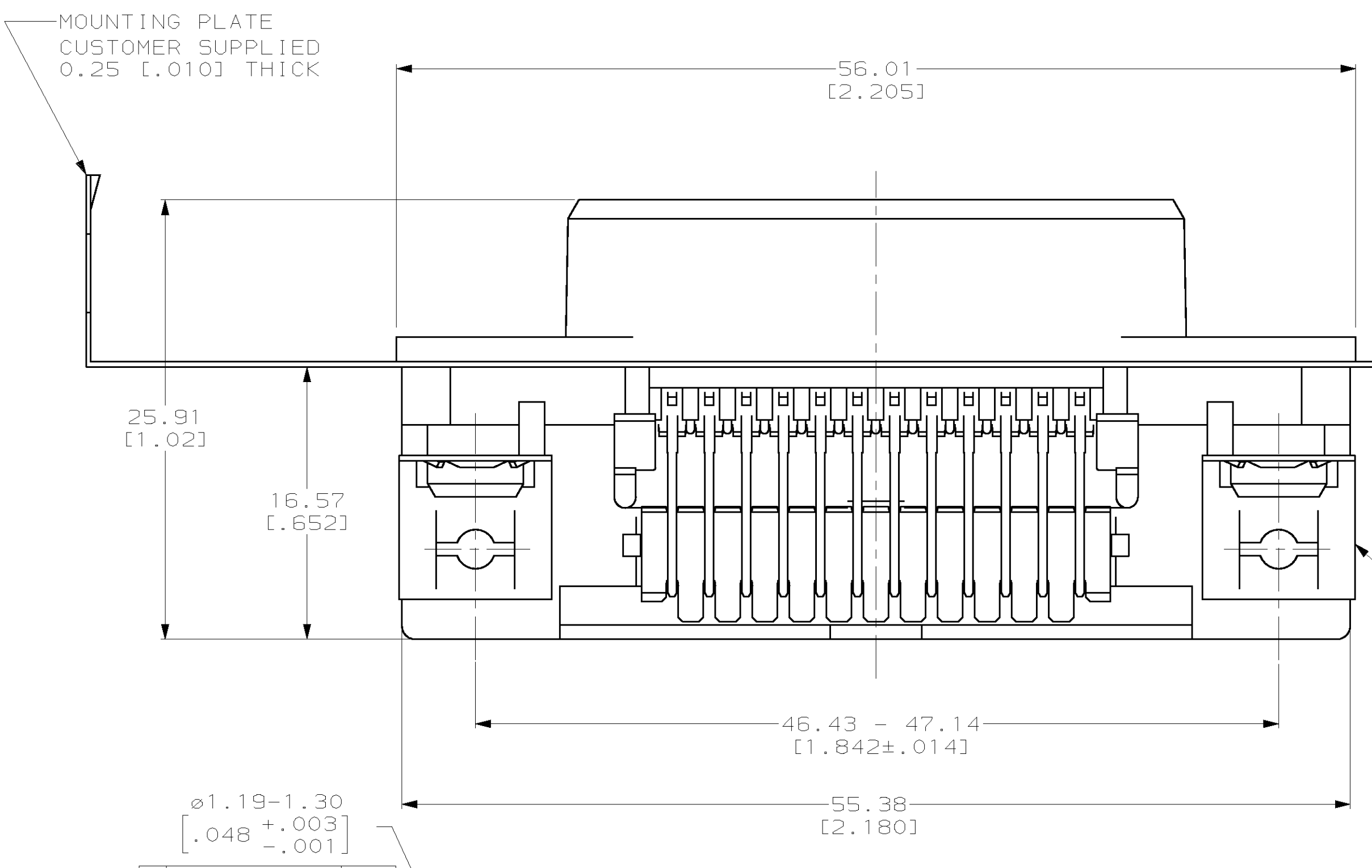


LOC	DIST	REV	DESCRIPTION	DATE	OWN	APPRO
AA	20	E	REVISED PER EC 0515-0383-02	13NOV02	DD	RM



- △ MATERIAL: SUPPORT PLATE, HOUSING AND ADAPTER COMB - POLYESTER, BLACK.
 RECEPTACLE SHIELD - NICKEL OVER COPPER PLATED ZINC.
 TERMINAL - PHOSPHOR BRONZE PLATED WITH 0.76µm [0.00030] MINIMUM GOLD ON MATING SURFACE AND 3.05µm [0.00120] MINIMUM MATTE TIN-LEAD ON TAILS OVER 1.27µm [0.00050] MINIMUM NICKEL UNDERPLATE OVER ENTIRE TERMINAL.
 GROUND BRACKET - ZINC PLATED CARBON STEEL.
- 2. THE CONTACT SURFACES OF THE TERMINALS ARE COATED WITH LUBRICANT.
- 3. CENTER-TO-CENTER SPACING OF TERMINALS IS 2.16 [0.085] NOMINAL.
- △ DIMENSIONS ARE MAXIMUM UNLESS OTHERWISE SPECIFIED.
- △ TERMINAL 1 LOCATED IN THIS ROW FOR STANDARD ORIENTATION.
- △ TERMINAL 1 LOCATED IN THIS ROW FOR REVERSE ORIENTATION.
- △ SHIELD SHIPPED NOT ASSEMBLED.
- △ ADAPTER COMB SHALL BE PARTIALLY RETRACTED BEFORE INSERTING CONNECTOR INTO PRINTED CIRCUIT BOARD.
- △ THIS FEATURE IS A CORED AREA AND IS OPTIONAL ON PART.
- △ CONNECTOR MATING FACE MAY VARY UP TO 5 DEGREES IN EITHER DIRECTION FROM NOMINAL.



SUGGESTED PRINTED CIRCUIT BOARD MOUNTING DIMENSIONS
SCALE 2:1

SUGGESTED BRACKET MOUNTING CUTOUT DIMENSIONS
SCALE 1:1

SEE DETAIL "A"	STANDARD	555139-2
AS SHOWN	REVERSE	555139-1
DESCRIPTION	ORIENTATION	PART NUMBER

THIS DRAWING IS A CONTROLLED DOCUMENT.

DIMENSIONS mm [INCHES]	TOLERANCES UNLESS OTHERWISE SPECIFIED.	0 PLC ±.015	1 PLC ±.010	2 PLC ±.008	3 PLC ±.005	4 PLC ±.003	ANGLES ±.005	FINISH
---------------------------	--	-------------	-------------	-------------	-------------	-------------	--------------	--------

AWN B. SIMPSON	22AUG94	AMP TYCO Electronics Harrisburg, PA 17105-3608
CHK C. WHITT	28AUG94	
APP'D P. FLAHERTY	03NOV94	NAME RECEPTACLE ASSEMBLY, 24 POSITION, RIGHT ANGLE, SHIELDED, LOW PROFILE, WITH GROUNDING BRACKET, CHAMP
PRODUCT SPEC		SIZE A1
APPLICATION SPEC		SCALE 4:1
WEIGHT		SHEET 1 of 1
CUSTOMER DRAWING		REV E