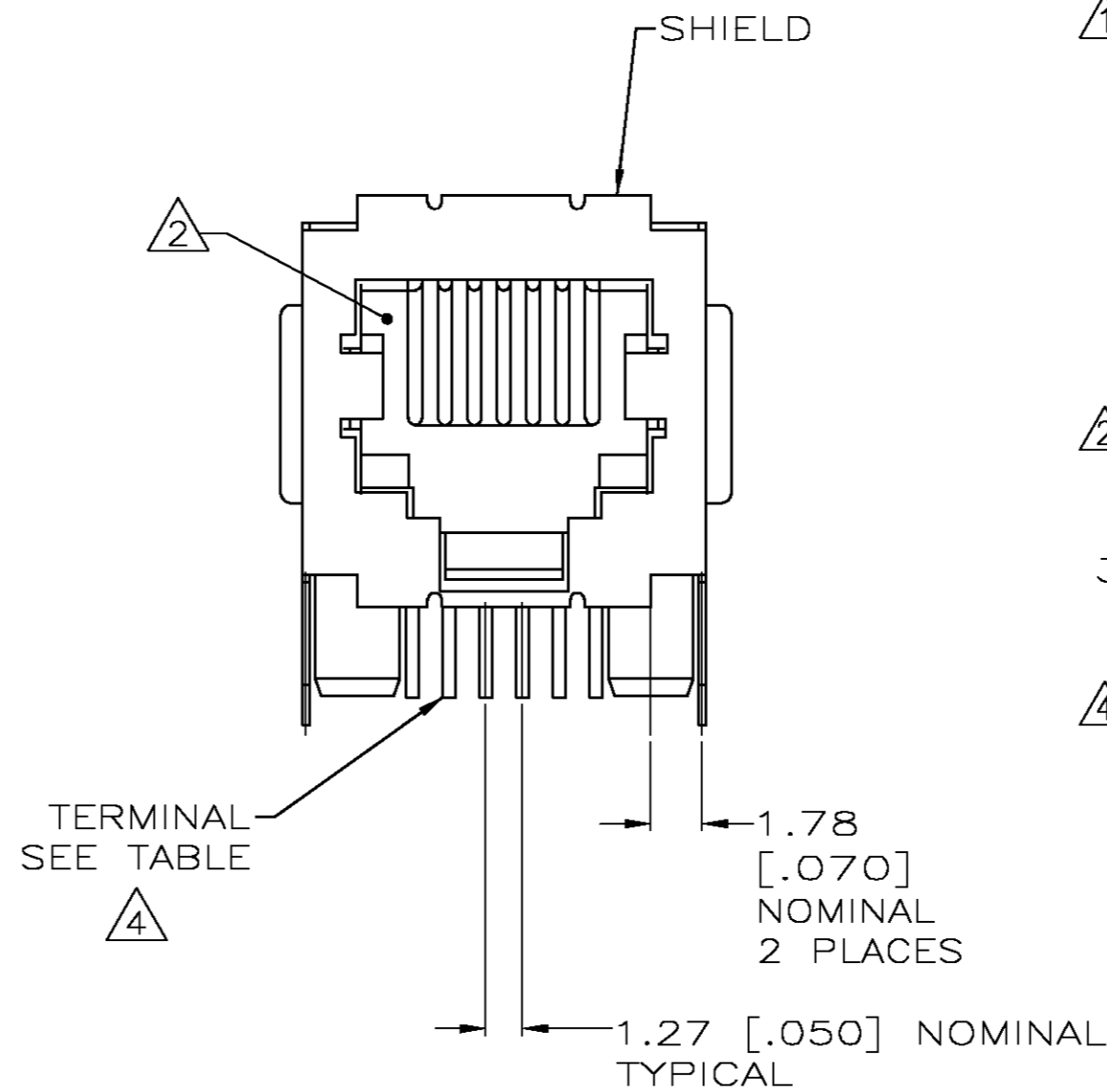
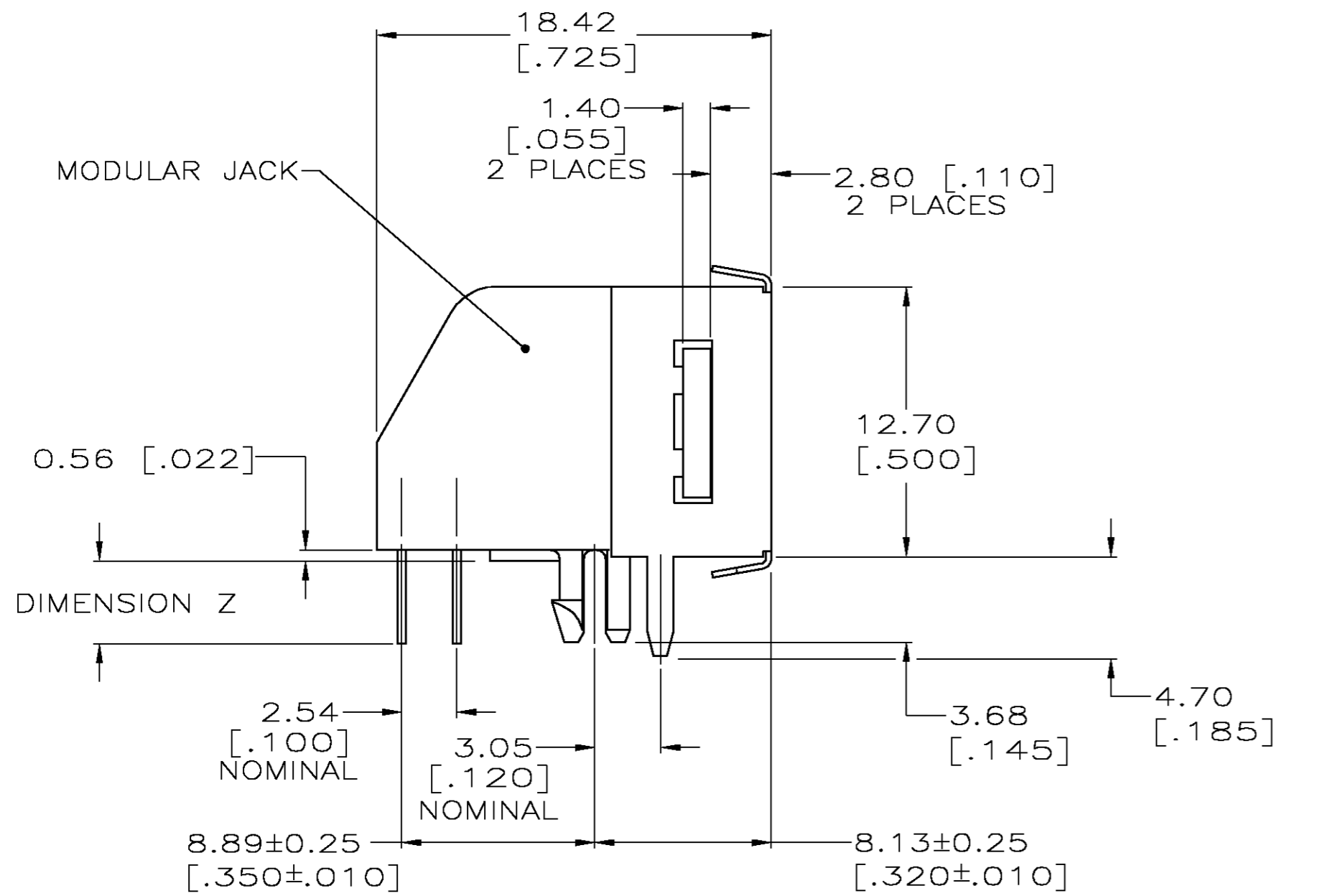
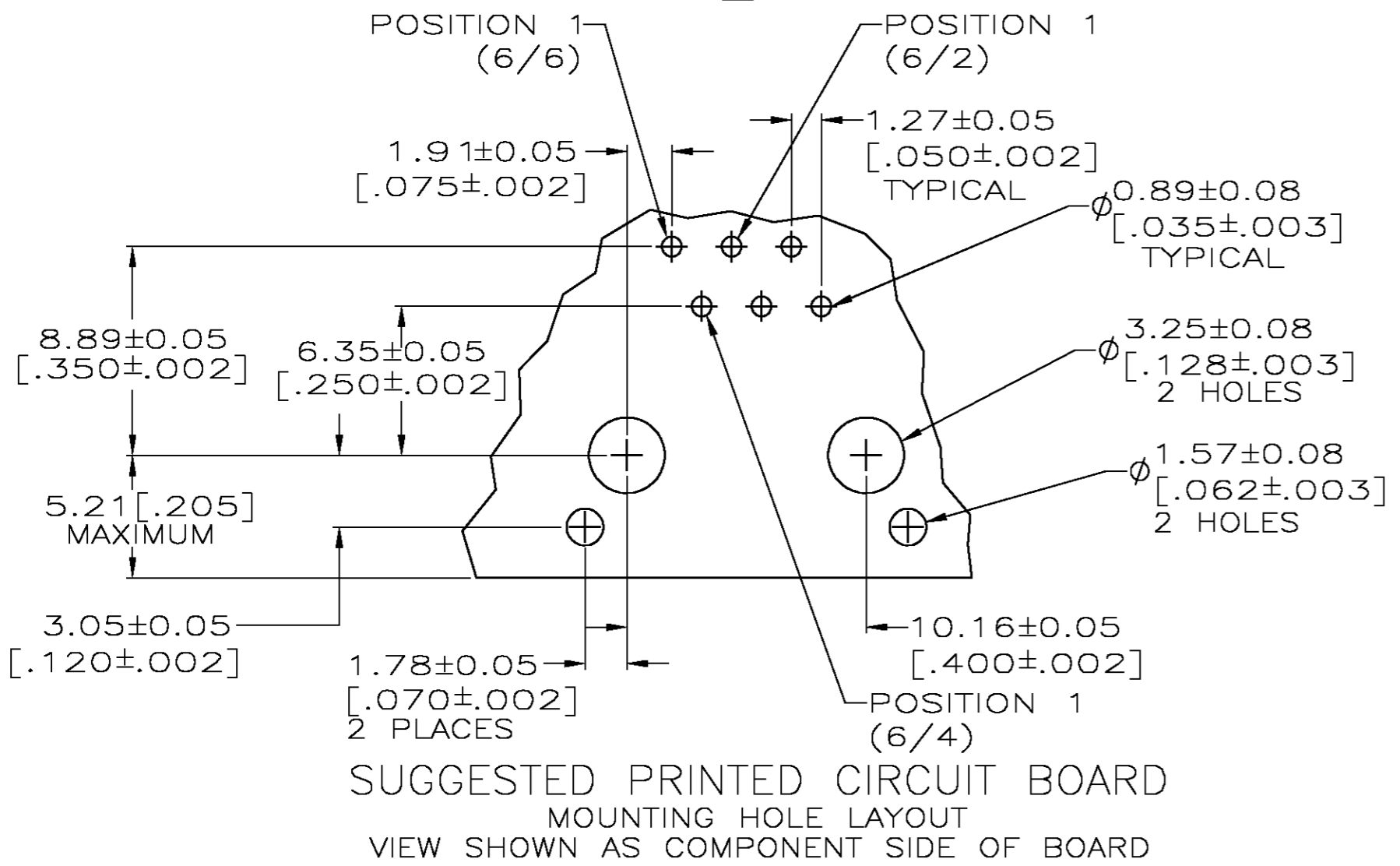
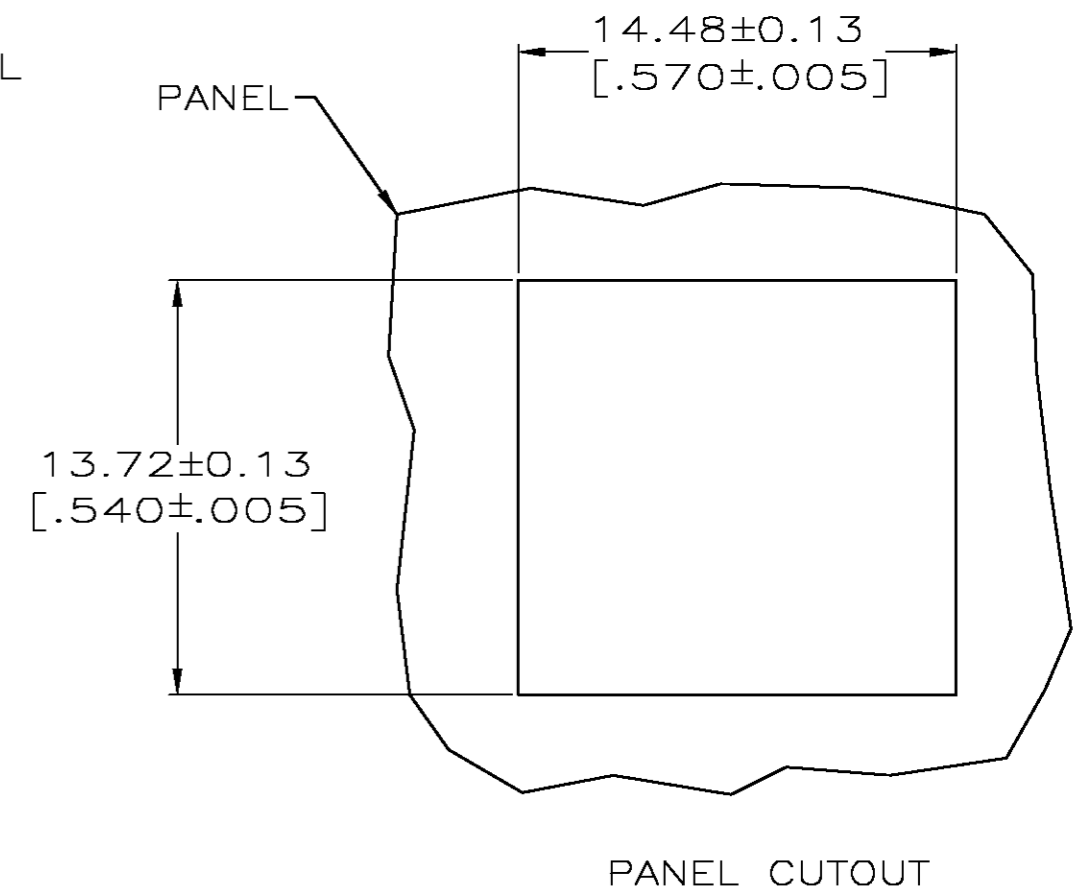
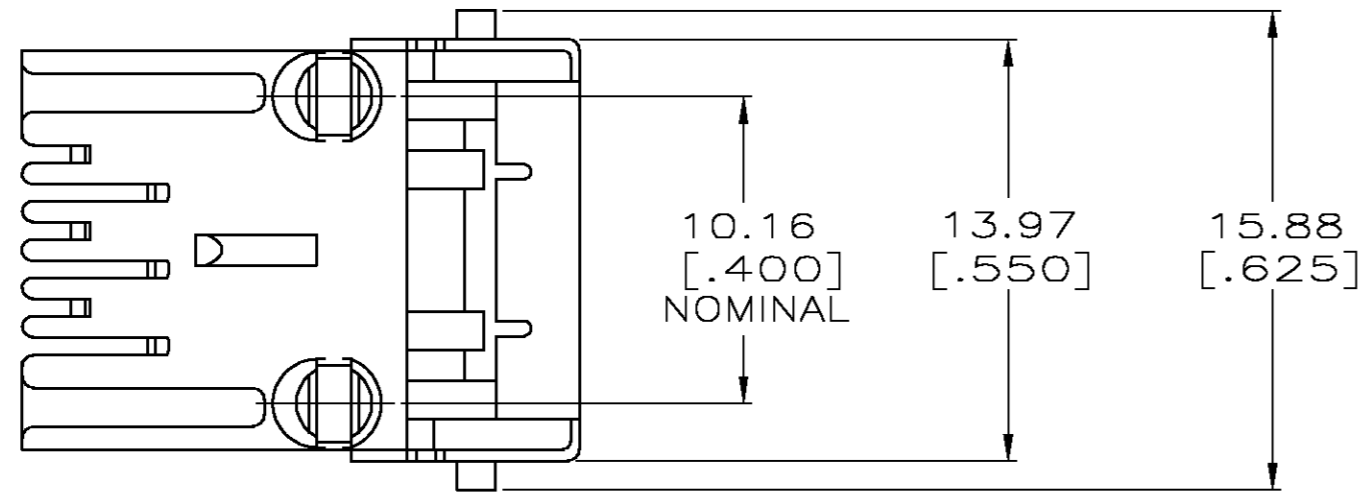


THIS DRAWING IS UNPUBLISHED. RELEASED FOR PUBLICATION
 © COPYRIGHT BY TYCO ELECTRONICS CORPORATION. ALL RIGHTS RESERVED.

LOC	DIST	REVISIONS					
GP	00	P	LTR	DESCRIPTION	DATE	DWN	APVD
		L		REVISED PER EC OS11-0018-04	28JAN04	JB	BK



- 1 MATERIAL: HOUSING - PBT POLYESTER, BLACK. TERMINAL - 0.36[.014] THICK PHOS-BRONZE PLATED WITH 1.27um[.000050] THICK HARD GOLD IN LOCALIZED GOLD PLATE AREA AND 2.03um[.000080] THICK TIN LEAD IN SOLDER AREA OVER 1.27um[.000050] THICK NICKEL UNDERPLATE. SHIELD - 0.25[.010] THICK COPPER ALLOY, TIN-LEAD PLATED.
- 2 CAVITY CONFORMS TO FCC RULES AND REGULATIONS PART 68, SUBPART F.
- 3. ALL DIMENSIONS SHOWN ARE MAXIMUM UNLESS OTHERWISE SPECIFIED.
- 4 TERMINALS FOR 555140-2 AND 555140-5 LOCATED IN CENTER POSITIONS.



DIMENSION Z	TERMINALS REQUIRED	PART NUMBER
.150±.020	2	555140-5
.100±.010	6	555140-4
.150±.020	4	555140-2
.150±.020	6	555140-1

SUPERSEDED BY 555163-5

THIS DRAWING IS A CONTROLLED DOCUMENT.		DWN G. GARRETT 7-11-95	Tyco Electronics Corporation	
DIMENSIONS: MM		CHK N. JONES 8-25-95	NAME J. TONEY	
TOLERANCES UNLESS OTHERWISE SPECIFIED:		APVD J. TONEY 9-1-95	PRODUCT SPEC 108-1163	
0 PLC ± -	1 PLC ± -	APPLICATION SPEC 114-2048		
2 PLC ± -	3 PLC ± -	SIZE A2	CAGE CODE 00779	DRAWING NO C=555140
4 PLC ± -	ANGLES ± -	WEIGHT -	RESTRICTED TO -	
MATERIAL 1	FINISH 1	CUSTOMER DRAWING		
		SCALE 4:1	SHEET 1 OF 1	REV L