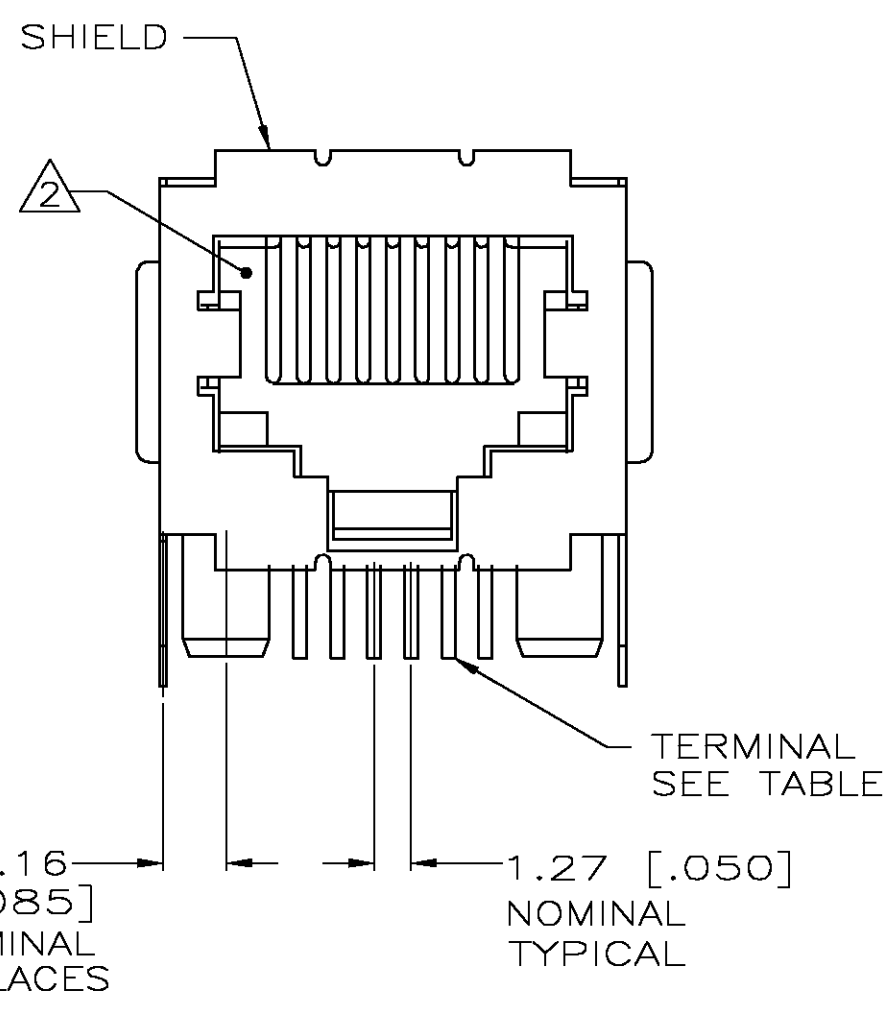
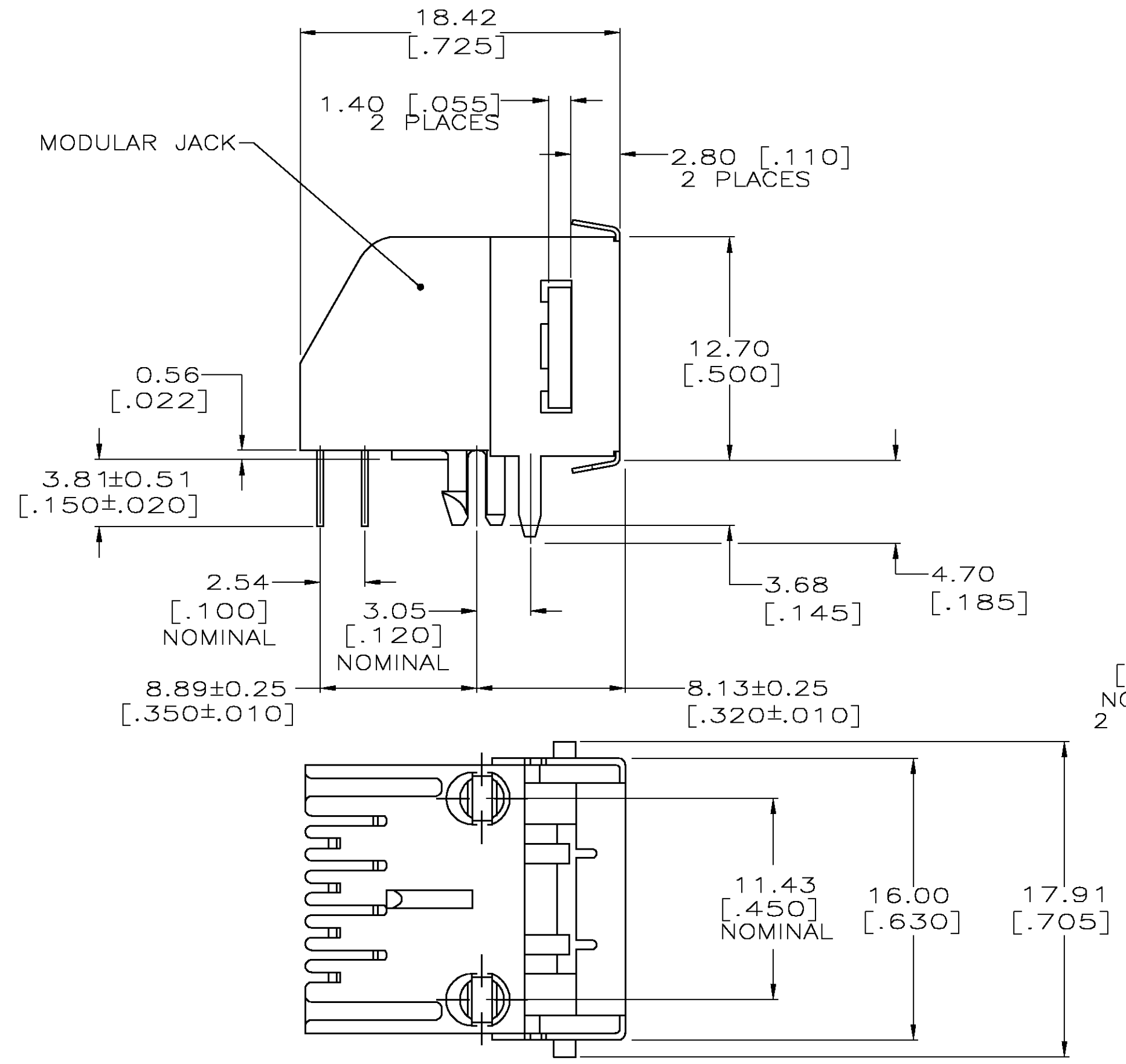


THIS DRAWING IS UNPUBLISHED. RELEASED FOR PUBLICATION  
 © COPYRIGHT BY TYCO ELECTRONICS CORPORATION. ALL RIGHTS RESERVED.

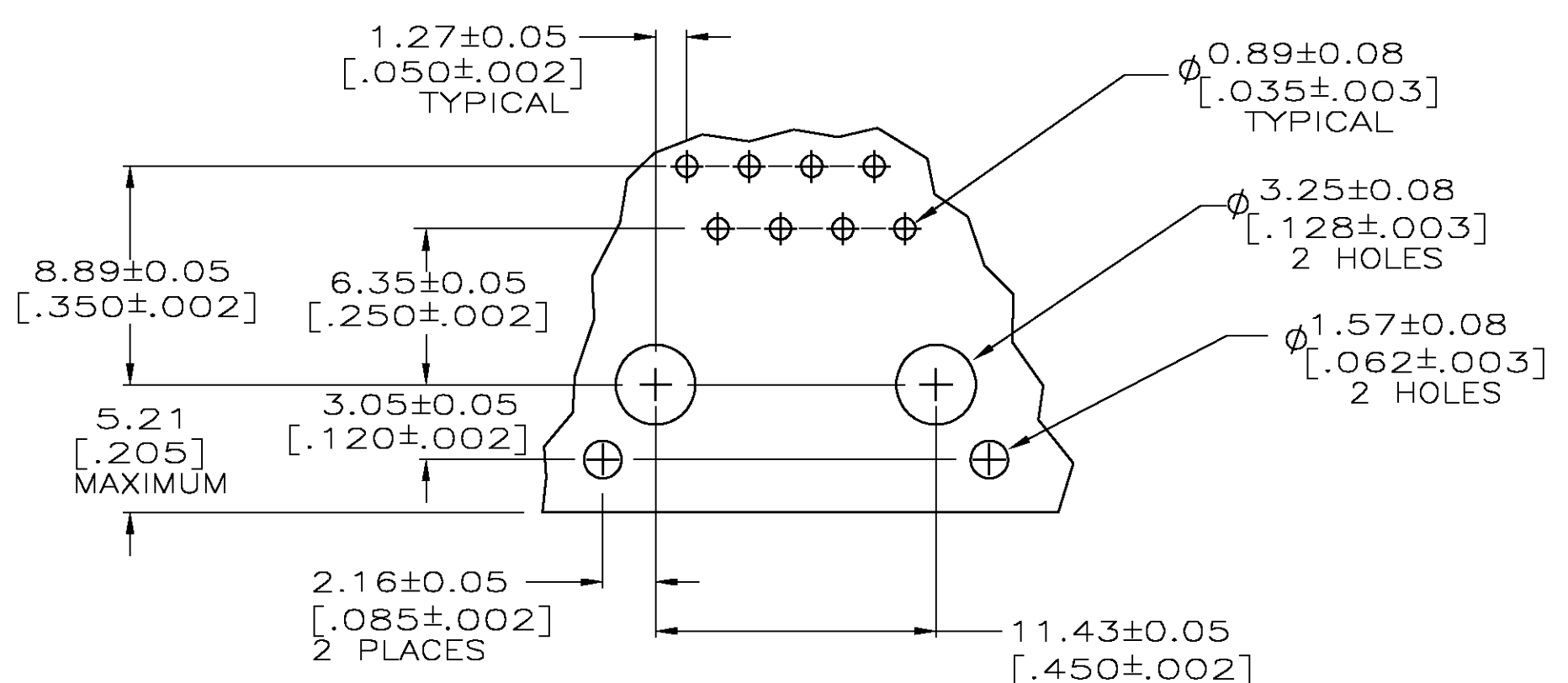
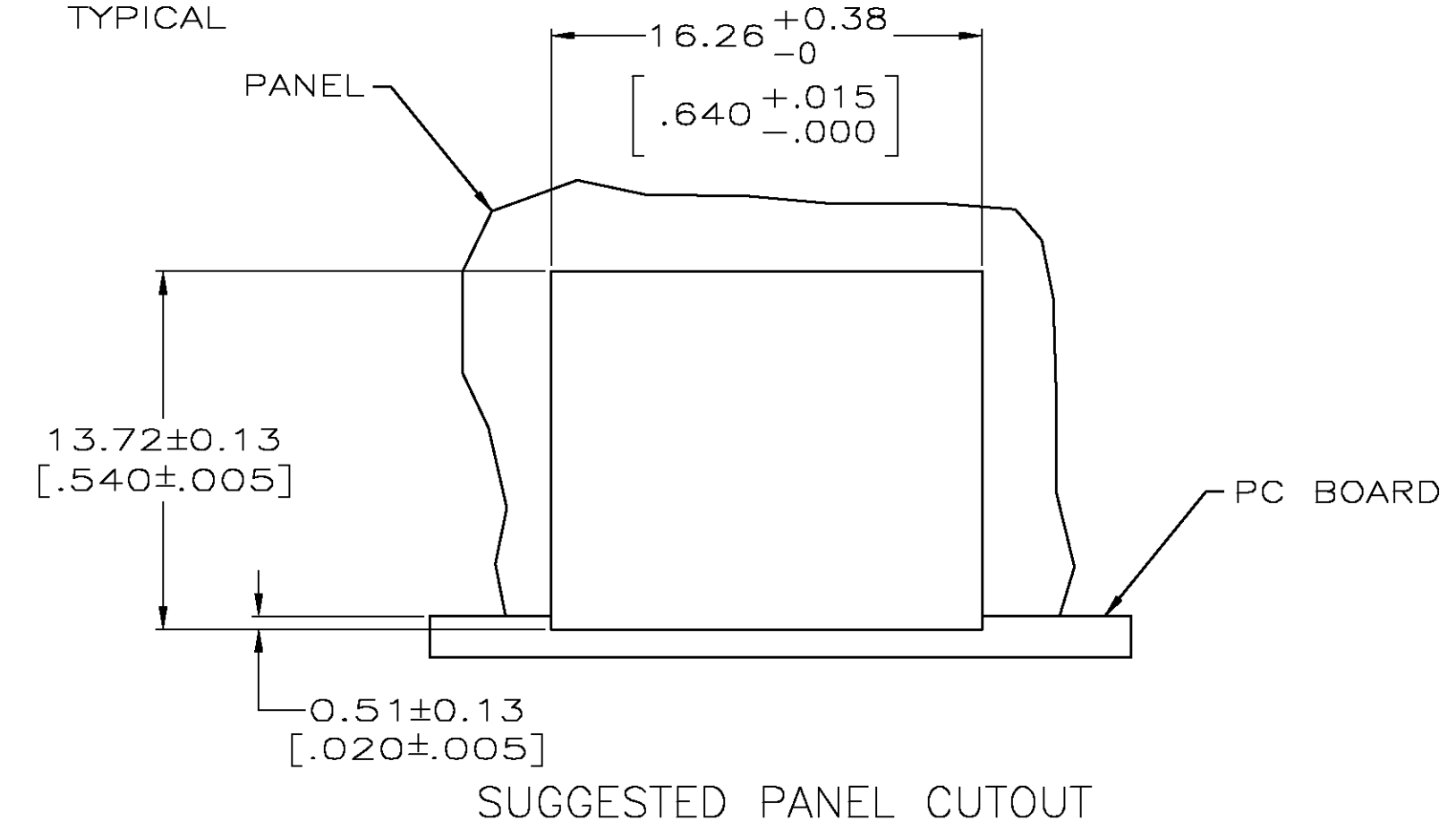
LOC	DIST	REVISIONS					
AA	22	P	LTR	DESCRIPTION	DATE	DWN	APVD
		G		ADDED: -3 PER EC 0S11-0113-03	21JUL2003	DD	BK



1 MATERIAL: HOUSING - PER TABLE, BLACK.  
 TERMINAL - 0.36 [0.014] THICK PHOS-BRONZE PLATED WITH 1.27um [0.000050] THICK HARD GOLD IN LOCALIZED GOLD PLATE AREA AND 3.81um [0.000150] THICK TIN LEAD IN SOLDER AREA OVER 1.27um [0.000050] THICK NICKEL UNDERPLATE  
 SHIELD - 0.25 [0.010] THICK COPPER ALLOY, TIN-LEAD PLATED.

2 CAVITY CONFORMS TO FCC RULES AND REGULATIONS PART 68, SUBPART F.

3. ALL DIMENSIONS SHOWN ARE MAXIMUM UNLESS OTHERWISE SPECIFIED.



SUGGESTED PRINTED CIRCUIT BOARD MOUNTING HOLE LAYOUT VIEW SHOWN AS CIRCUIT SIDE OF BOARD

YES	HIGH TEMP NYLON	555141-3
NO	PBT POLYESTER	555141-1
IR PROCESS COMPATIBLE	HOUSING MATERIAL	PART NUMBER

THIS DRAWING IS A CONTROLLED DOCUMENT.		DWN G. GARRETT 7-10-95	Tyco Electronics Corporation	
DIMENSIONS: MM [INCHES]		CHK N. JONES 8-25-95	Harrisburg, PA 17105-3608	
TOLERANCES UNLESS OTHERWISE SPECIFIED:		APVD J. TONEY 9-1-95	NAME	
0 PLC ± -	1 PLC ± -	PRODUCT SPEC		
2 PLC ± -	3 PLC ± -	108-1163		
4 PLC ± -	ANGLES ± -	APPLICATION SPEC		
MATERIAL -	FINISH -	114-2048	SIZE A2	CAGE CODE 00779
		WEIGHT -	DRAWING NO C=555141	RESTRICTED TO -
		CUSTOMER DRAWING	SCALE 4:1	SHEET 1 OF 1