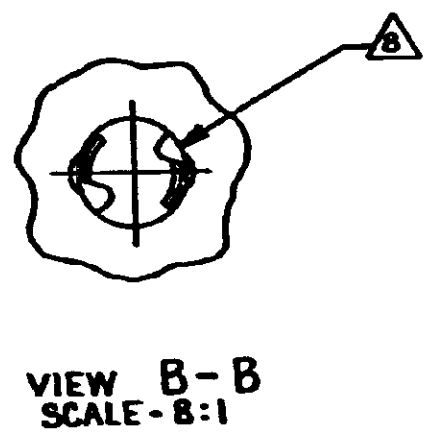
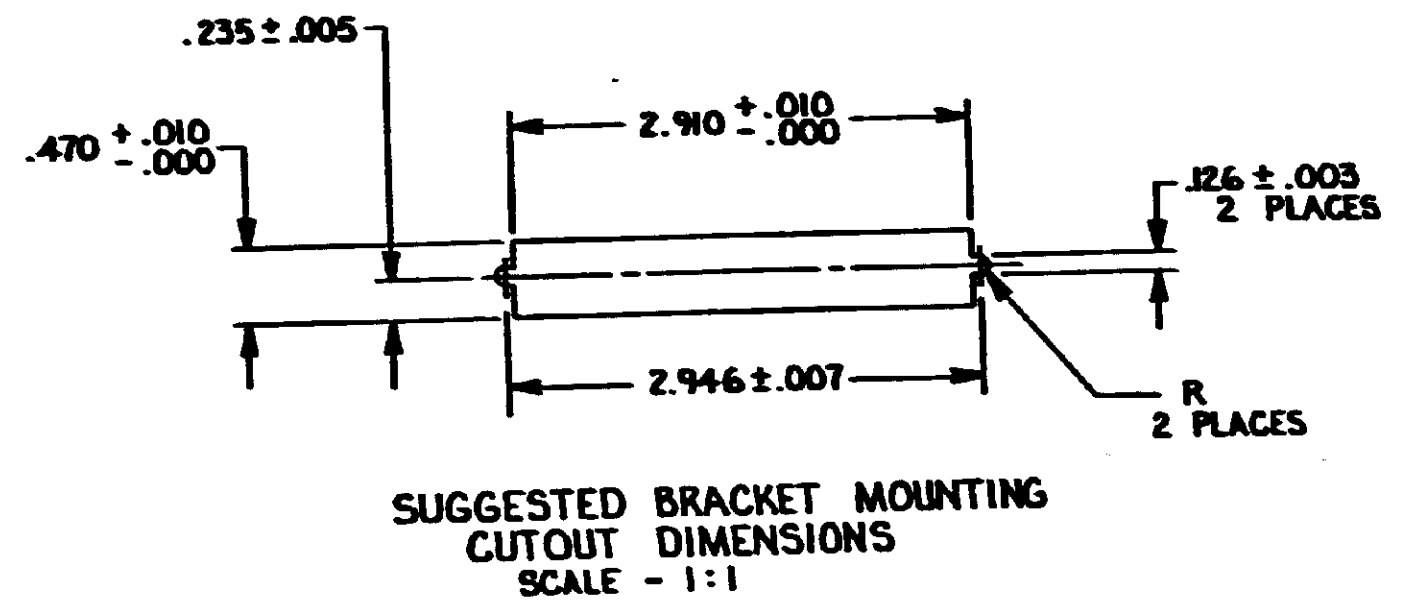
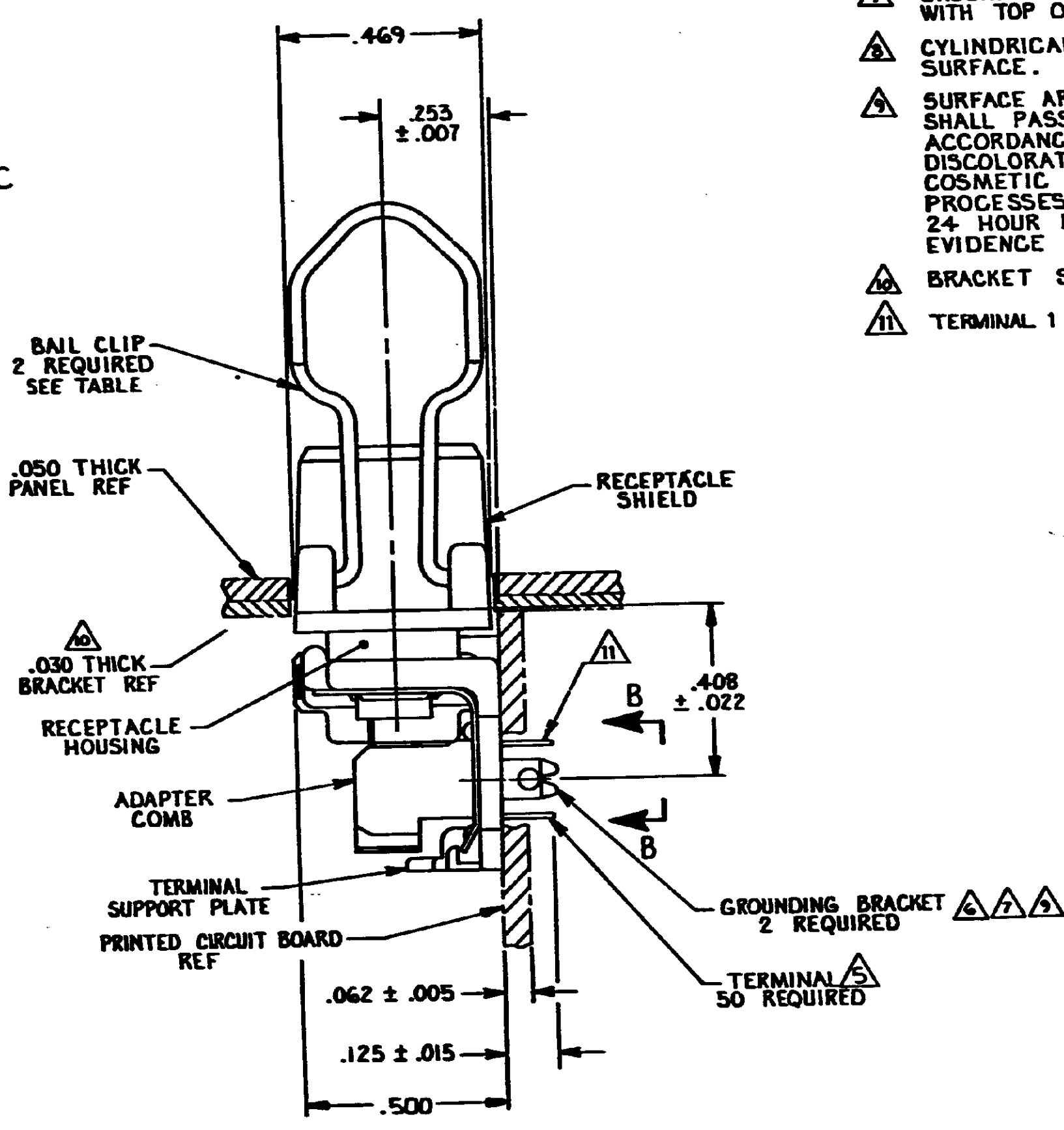
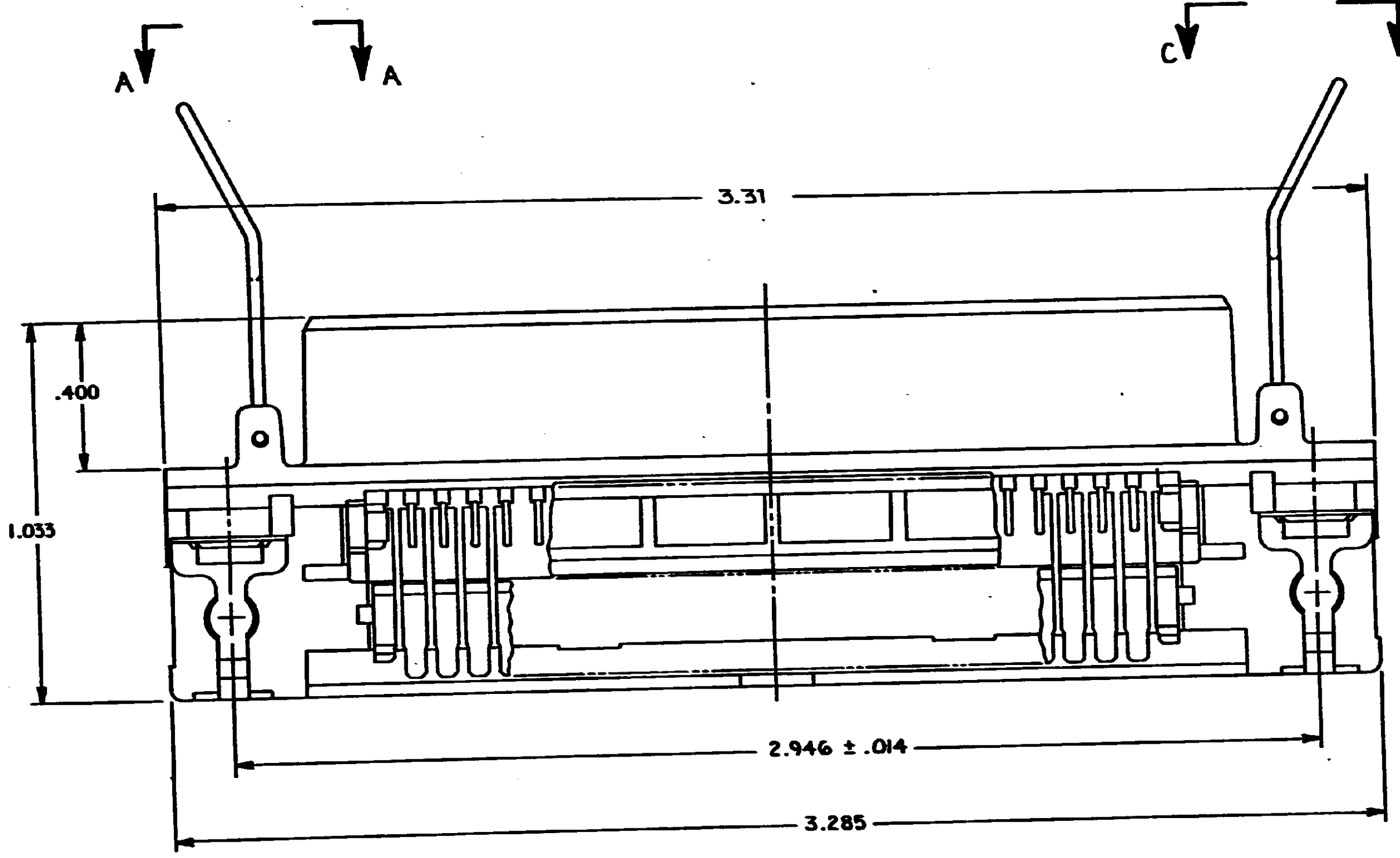
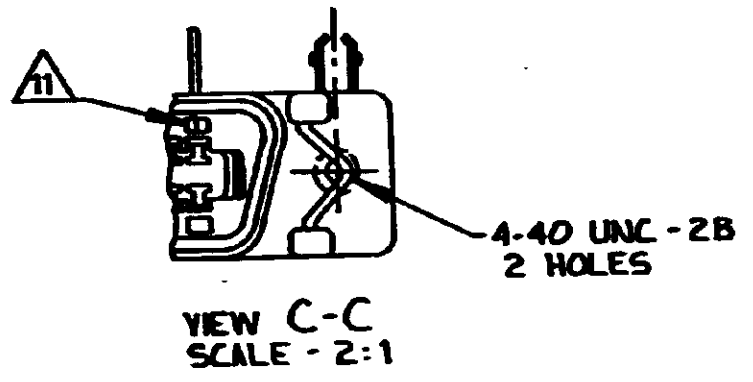
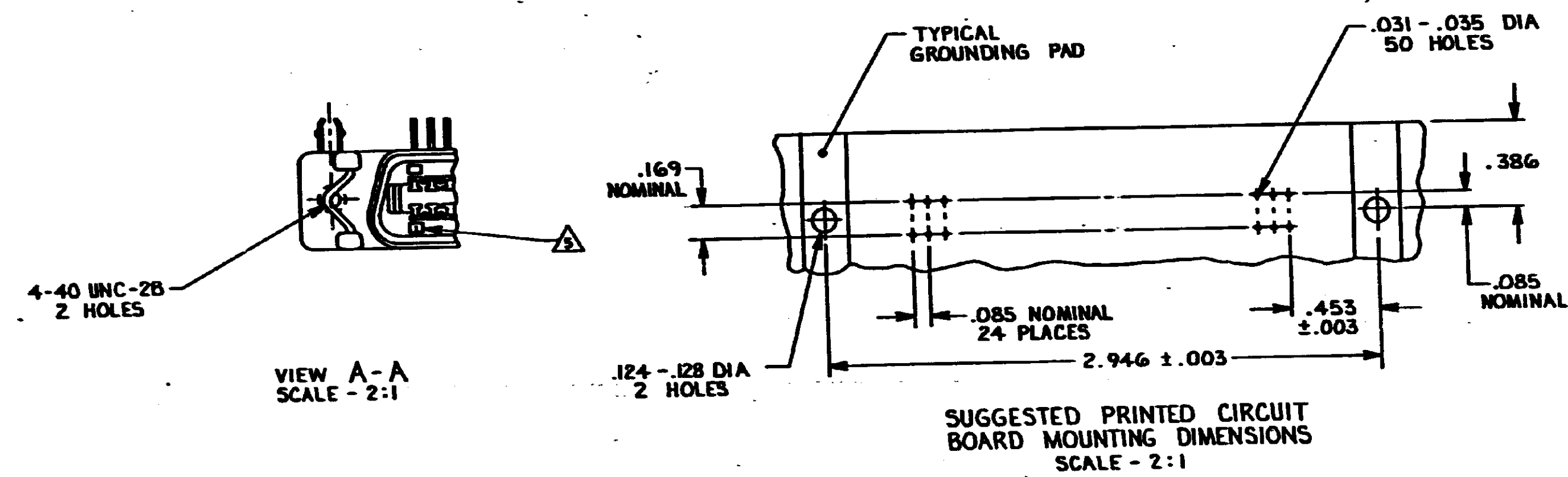


DRAWING MADE IN THIRD ANGLE PROJECTION
 THIS DRAWING IS UNPUBLISHED. RELEASED FOR PUBLICATION
 COPYRIGHT IS RESERVED. AMP PRODUCTS MAY BE COVERED BY U.S. AND FOREIGN PATENTS AND/OR PATENTS PENDING.

REVISED		DATE	APPROVED
6	REVIS: ECM AA-7622	9-2-81	LBS



- △ MATERIAL: SUPPORT PLATE, HOUSING AND ADAPTER COMB-POLYESTER, BLACK. BAIL CLIPS-PASSIVATED STAINLESS STEEL. RECEPTACLE SHIELD-BRIGHT NICKEL OVER COPPER PLATED ZINC. TERMINAL TAILS-TIN LEAD OVER NICKEL PLATED HIGH STRENGTH COPPER ALLOY. MATING SURFACE-LOCALIZED GOLD OVER NICKEL PLATED HIGH STRENGTH COPPER ALLOY. GROUND BRACKET-TIN LEAD PLATED CARBON STEEL.
- THE CONTACT SURFACES OF THE TERMINALS ARE COATED WITH LUBRICANT.
 - CENTER-TO-CENTER SPACING OF TERMINALS IS .085 NOMINAL.
 - ALL DIMENSIONS SHOWN ARE MAXIMUM UNLESS OTHERWISE SPECIFIED.
 - TERMINAL 1 LOCATED IN THIS ROW FOR STANDARD ORIENTATION.
 - GROUNDING BRACKET RETAINS CONNECTOR IN .062 THICK PC BOARD WITHOUT ADDITIONAL HARDWARE.
 - GROUNDING BRACKET LOCATES CONNECTOR FLUSH WITH TOP OF PC BOARD AND SPRING LOCKS BENEATH.
 - CYLINDRICAL SHAPE OFFERS 180° OF SOLDERING SURFACE.
 - SURFACE AREA OF GROUNDING BRACKET BELOW PC BOARD SHALL PASS SOLDERABILITY REQUIREMENTS IN ACCORDANCE WITH AMP SPECIFICATION 109-11-2. DISCOLORATION, SCRATCHES, SPOTS AND OTHER COSMETIC DEFICIENCIES TYPICAL OF BARREL PLATING PROCESSES ARE ACCEPTABLE PROVIDING PARTS PASS 24 HOUR EXPOSURE AT 95% RH AT 40°C WITHOUT EVIDENCE OF CORROSION.
 - BRACKET SUPPLIED BY CUSTOMER.
 - TERMINAL 1 LOCATED IN THIS ROW FOR REVERSE ORIENTATION.

REVERSE, VIEW C-C	AS SHOWN	
△	WITHOUT BAIL CLIPS	-3
△	AS SHOWN	-2
△	AS SHOWN	555149-1

UNLESS OTHERWISE SPECIFIED DIMENSIONS ARE IN INCHES.		CONTRACT NO.		AMP INCORPORATED	
TOLERANCES ON:		DR	S. Odison 1-28-87	Harrisburg, Pa. 17105	
DECIMALS ±		CHK	11/11/87 2:30	NAME RECEPTACLE ASSEMBLY, LOW PROFILE, EXTENDED SHIELD, RIGHT ANGLE, 50 POSITION, BOARD LOCK, BAIL LOCK, CHAMP®	
ANGLES ±		APPD	11/11/87 2:30	SIZE	D 00779
		OTHER APPD		FSCM NO	555149
				DRAWING NO	555149
				SCALE	4:1
				SHEET	1 OF 1

CUSTOMER DRAWING