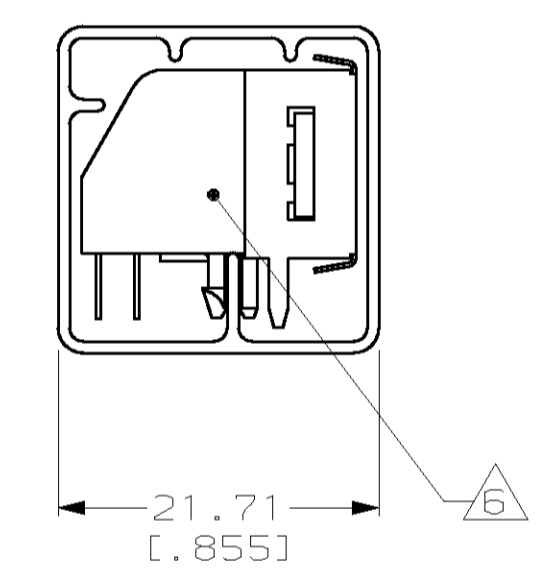
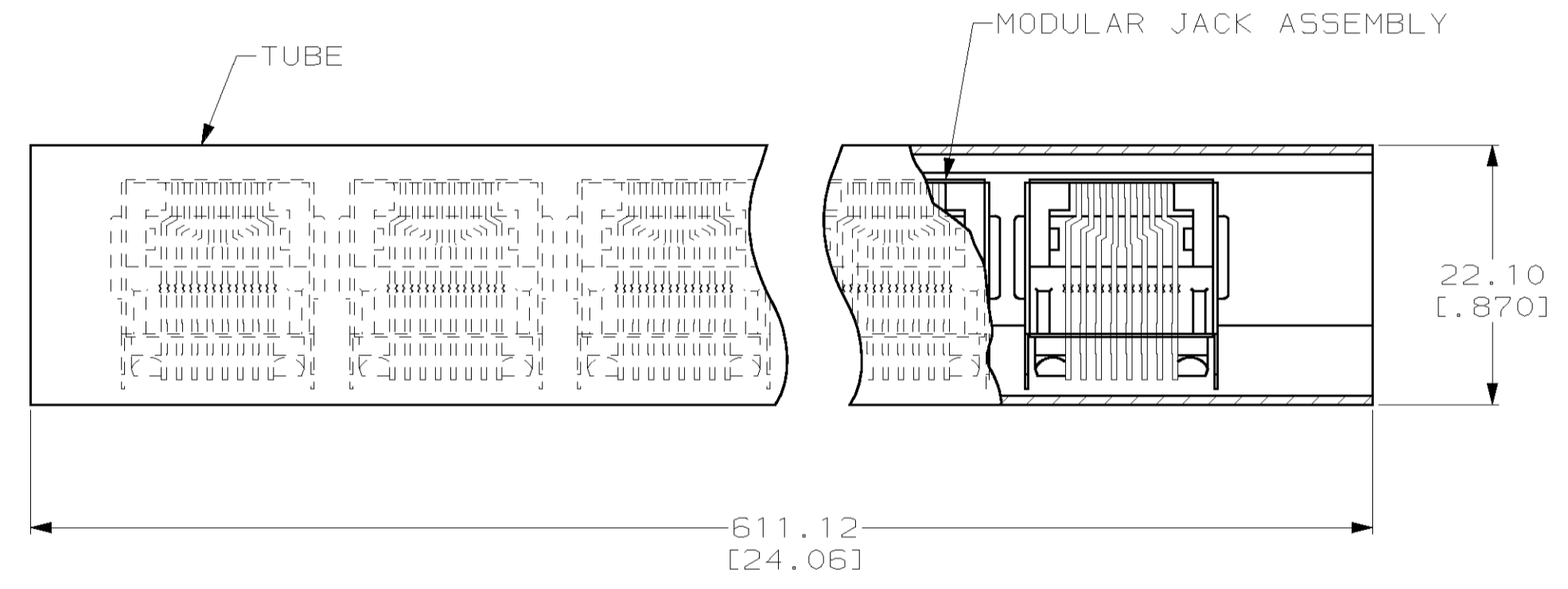
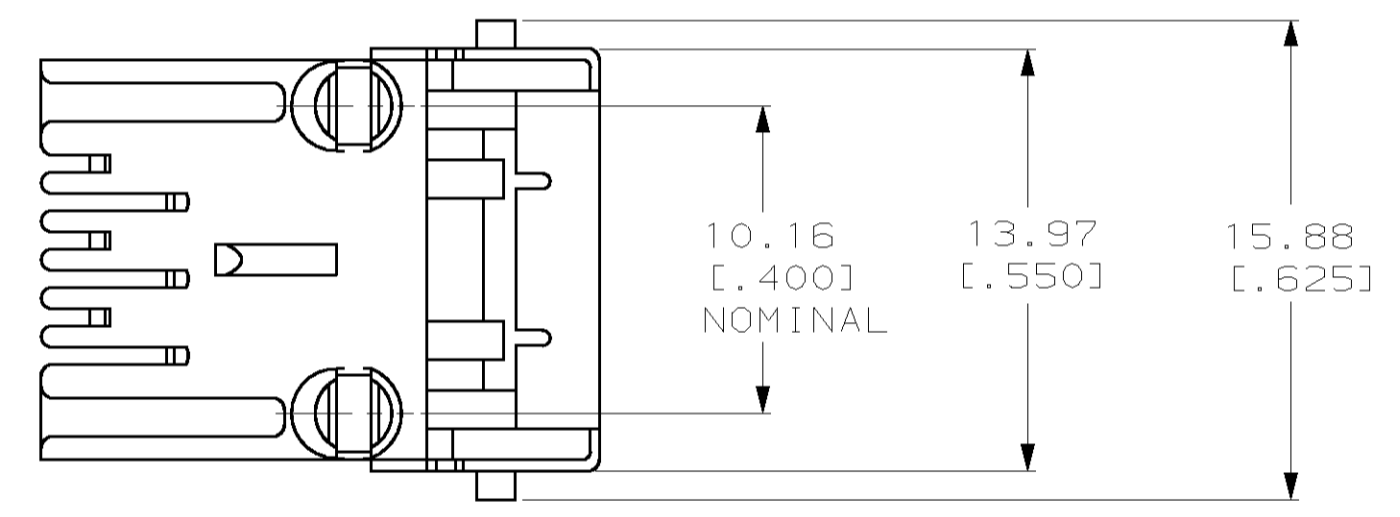
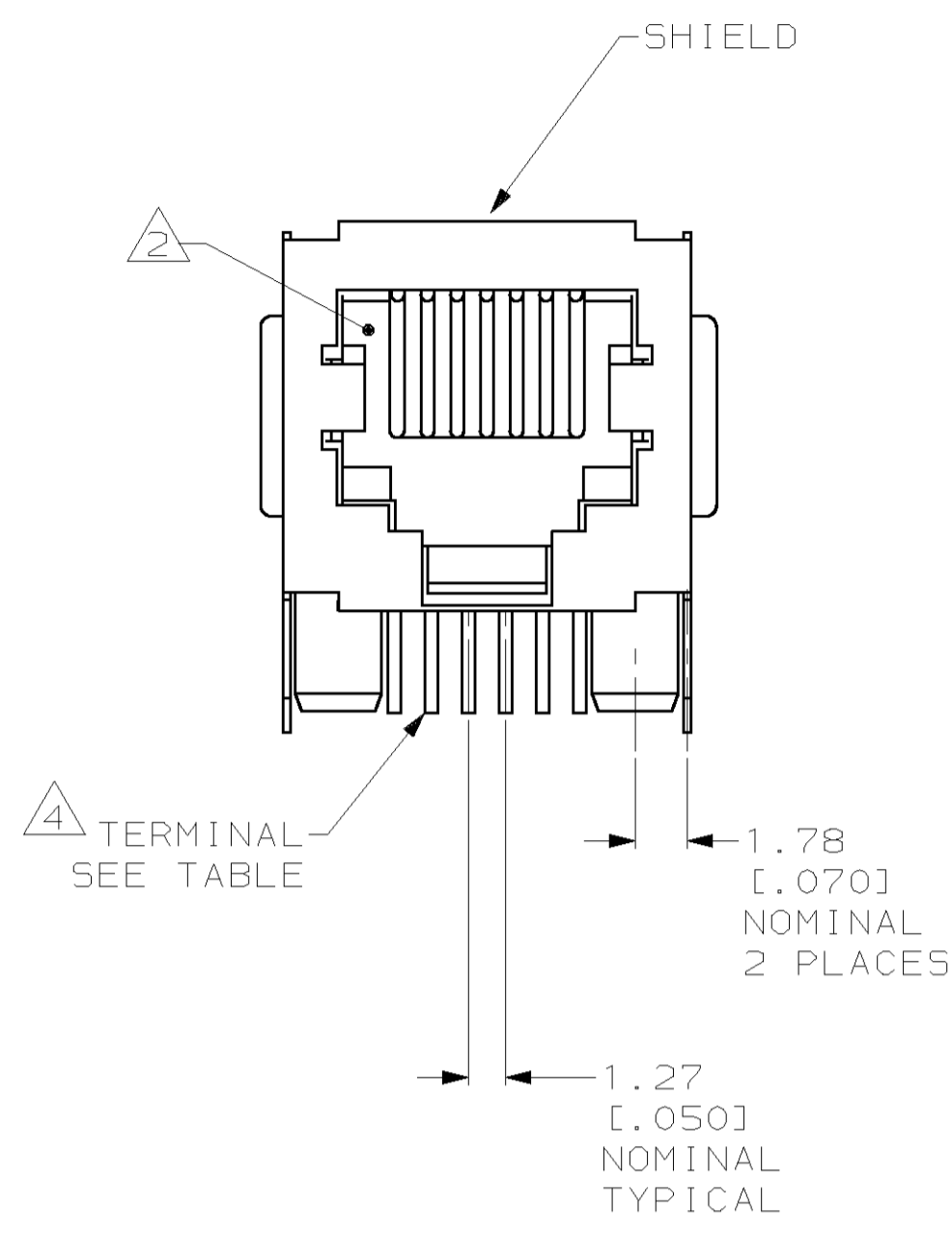
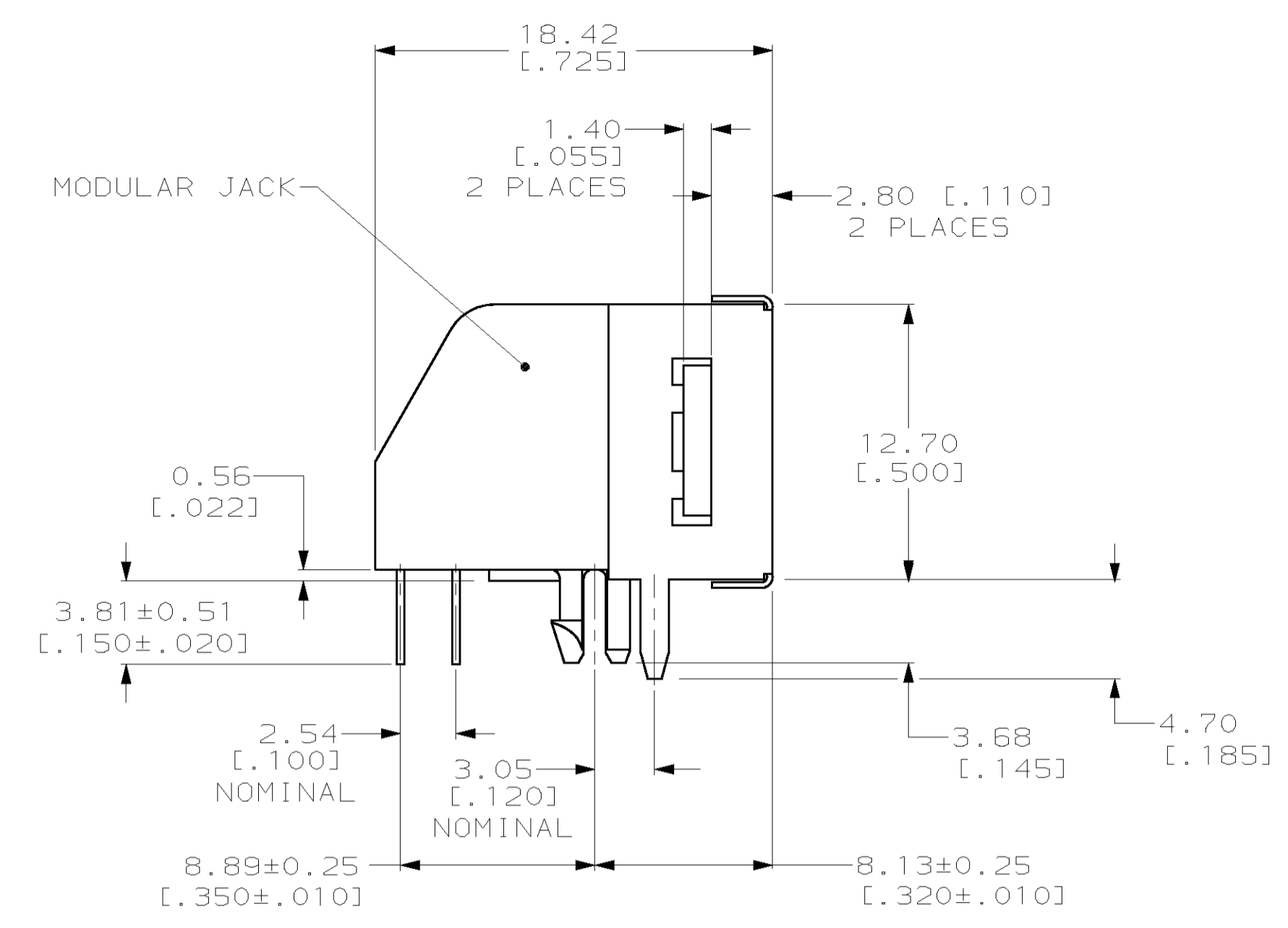
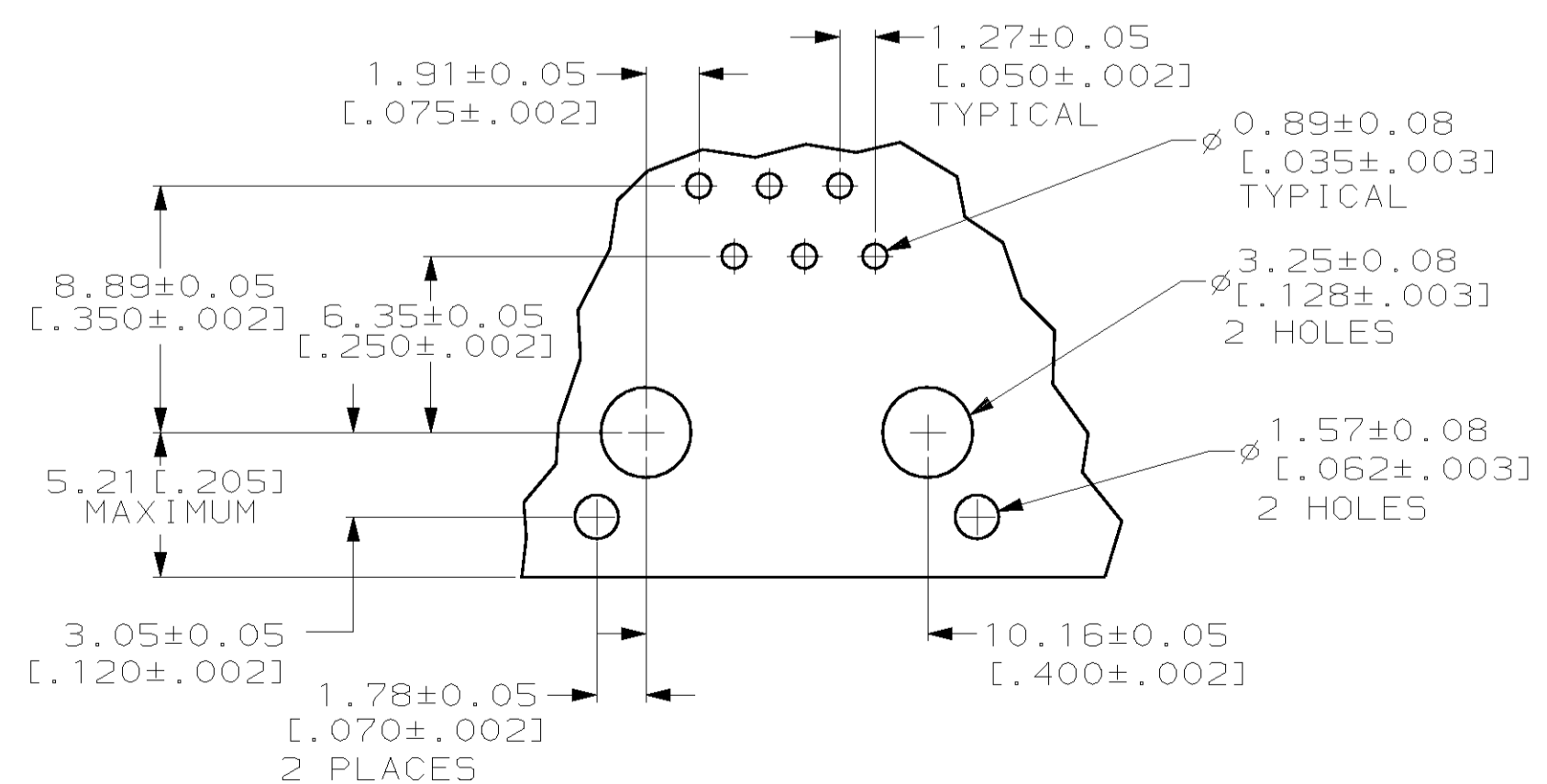


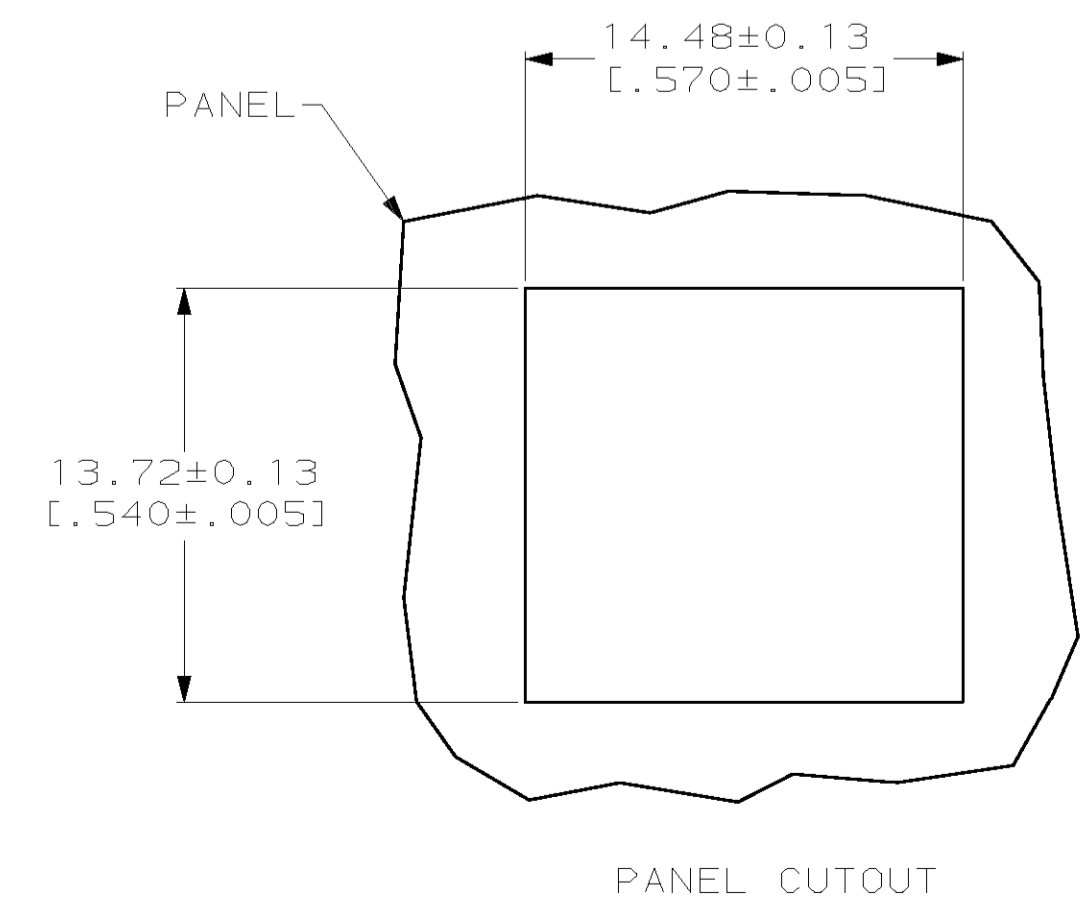
LOC	DIST	REV	DESCRIPTION	DATE	BY	APPROV
AA	22	F				
		G	ADDED: -4; NPR M01-008 AND OUI C-0079-01	26FEB01	DLD	CMB



DETAIL A  
SCALE 2:1



SUGGESTED PRINTED CIRCUIT BOARD  
MOUNTING HOLE LAYOUT  
VIEW SHOWN AS COMPONENT SIDE OF BOARD



PANEL CUTOUT

- ⚠ MATERIAL: HOUSING-PBT POLYESTER, BLACK. TERMINAL-.0138 THICK PHOS-BRONZE PLATED WITH .000050 THICK HARD GOLD IN LOCALIZED GOLD PLATE AREA AND .000080 THICK TIN LEAD IN SOLDER AREA OVER .000050 THICK NICKEL UNDERPLATE SHIELD-.010 THICK COPPER ALLOY, TIN-LEAD PLATED.
- ⚠ CAVITY CONFORMS TO FCC RULES AND REGULATIONS PART 68, SUBPART F.
- 3. ALL DIMENSIONS SHOWN ARE MAXIMUM UNLESS OTHERWISE SPECIFIED.
- ⚠ TERMINALS FOR 555154-2 LOCATED IN CENTER POSITIONS.
- ⚠ BULK PACKAGED IN TRAYS.
- ⚠ PACKAGED 36 ASSEMBLIES PER TUBE. SEE DETAIL "A".

PACKAGE	TERMINALS REQUIRED	PART NUMBER
6	6	555154-4
4	4	555154-2
6	6	555154-1

THIS DRAWING IS A CONTROLLED DOCUMENT.

DWG	S. GARRETT	7-13-95	AMP Incorporated Harrisburg, PA 17105-3608
CHK	N. JONES	8-25-95	
APP'D	J. TONEY	9-01-95	
REV			
DIMENSIONS:	TOLERANCES UNLESS OTHERWISE SPECIFIED:		NAME
mm [INCHES]	0 PLC ±	1 PLC ±	MODULAR JACK ASSEMBLY, SHIELDED, 6 POSITION,
	2 PLC ±	3 PLC ±	LOW PROFILE, RIGHT ANGLE, PRINTED CIRCUIT
	4 PLC ±	ANGLES ±	BOARD GROUND WITH PANEL STOPS
MATERIAL	FINISH	WEIGHT	SIZE
			A1 00779
			C=555154
			RESTRICTED TO
			CUSTOMER DRAWING

SCALE 4:1 SHEET 1 OF 1 REV G