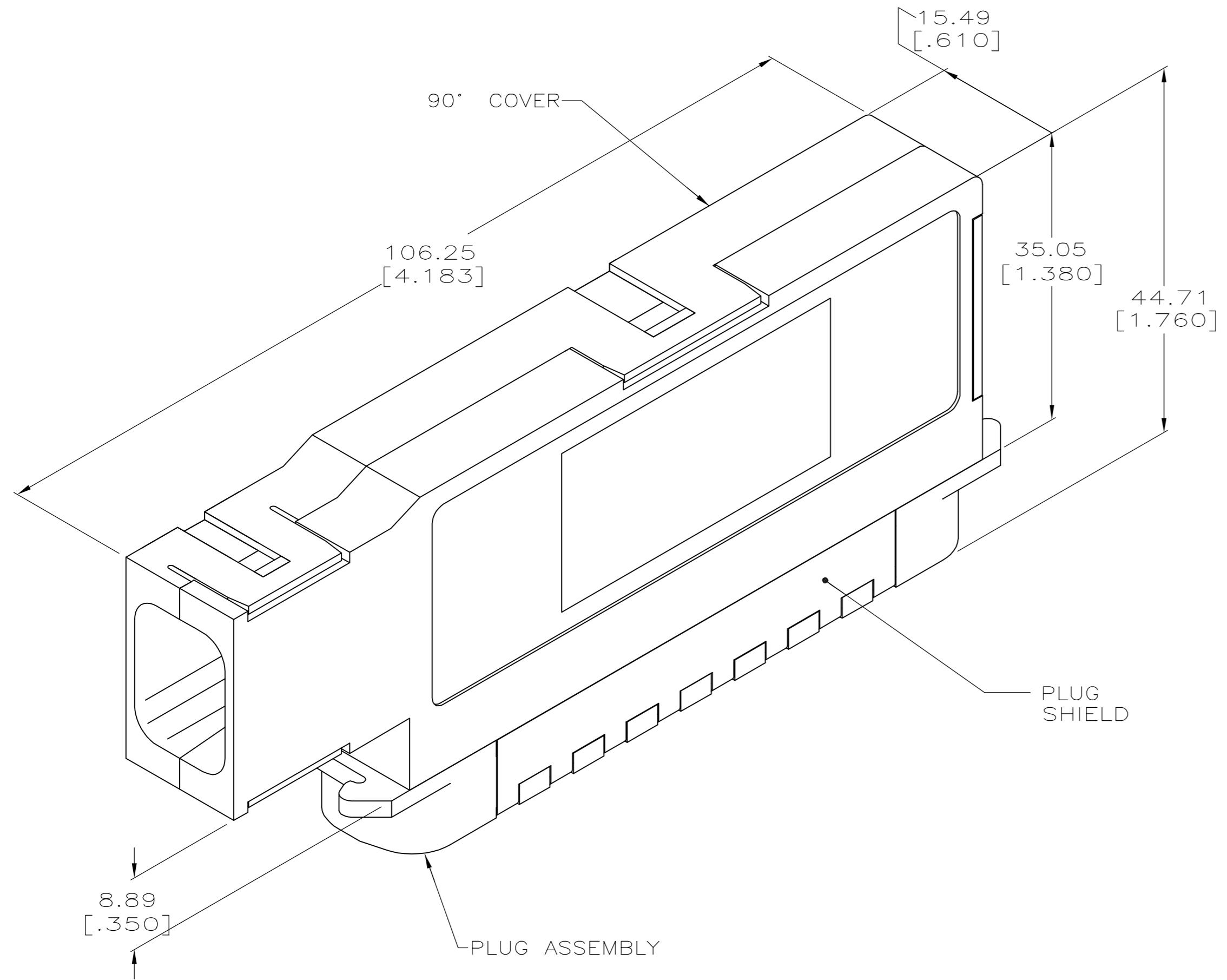


THIS DRAWING IS UNPUBLISHED. RELEASED FOR PUBLICATION  
 © COPYRIGHT BY TYCO ELECTRONICS CORPORATION. ALL RIGHTS RESERVED.

LOC	DIST	REVISIONS					
		P	LTR	DESCRIPTION	DATE	DWN	APVD
GP	00		G	REVISED PER ECO-06-025935	12/FEB/07	ZMR	WLM



1. THIS ASSEMBLY SHOWN ASSEMBLED BUT SHIPPED UNASSEMBLED.
2. MATERIAL: HOUSING - POLYPHENYLENE OXIDE, BLACK. SHIELDS - CARBON STEEL PLATED WITH 5.1µm [.000200] MINIMUM NICKEL. COVERS - ABS MOLDING COMPOUND, PLATED WITH 0.51µm [.000020] MINIMUM ELECTROLYTIC NICKEL OVER 5.1µm [.000200] MINIMUM ELECTROLYTIC COPPER OVER 0.25µm [.000010] MINIMUM ELECTROLESS NICKEL. TERMINAL - PHOSPHOROUS BRONZE PLATED WITH 0.76µm [.000030] MIN GOLD OR GOLD FLASH OVER 0.76µm [.000030] MIN PALLADIUM NICKEL ON CONTACT MATING SURFACE. 1.27µm [.000050] MIN NICKEL UNDERPLATE OVER ENTIRE TERMINAL.
3. WIRE SIZE: 24-26 AWG SOLID OR 24 AWG 7-STRANDED COPPER CONDUCTORS. INSULATION DIAMETER 0.73-1.15 [.029-.045] IS ACCEPTABLE FOR MOST APPLICATIONS.
4. WIRE SIZE: 22 AWG SOLID OR 7-STRANDED COPPER CONDUCTORS. INSULATION DIAMETER 1.14-1.42 [.045-.056] IS ACCEPTABLE FOR MOST APPLICATIONS.
5. ALL DIMENSIONS SHOWN ARE MAXIMUM UNLESS OTHERWISE SPECIFIED.
6. CABLE RANGE: 11.43-13.97 [.450-.550] OUTSIDE DIAMETER.
7. CABLE RANGE: 13.97-17.78 [.550-.700] OUTSIDE DIAMETER.
8. DIMENSIONS SHOWN IN [ ] ARE INCHES.
9. KIT PACKAGED 1 PER POLYBAG.
10. BULK PACKAGED 100 KITS PER BOX.
11. WIRE SIZE: 24 AND 26 AWG SOLID OR STRANDED (7 STRANDS) COPPER CONDUCTORS. MAXIMUM INSULATION DIAMETER 1.32 [.052] IS ACCEPTABLE FOR MOST APPLICATIONS.

	PACKAGING	COLOR DOT	SLOT SIZE	PART NUMBER
	10	WHITE	K 11	6 556624-4
	10	BLUE	B 3	6 556624-3
OBSOLETE	9	BROWN	F 4	7 556624-2
OBSOLETE	9	BLUE	B 3	6 556624-1

THIS DRAWING IS A CONTROLLED DOCUMENT.		DWN R. NELSON 10-17-89	<b>tyco</b> Tyco Electronics Corporation	
DIMENSIONS: mm [INCHES]		CHK B. FOX 12-19-89	<b>Electronics</b> Harrisburg, PA 17105-3608	
TOLERANCES UNLESS OTHERWISE SPECIFIED:		APVD R. NELSON 12-20-89	NAME	
0 PLC ± -	1 PLC ± -	PRODUCT SPEC	PLUG ASSEMBLY KIT, 64 POSITION, 90° EXIT, SHIELDED, CHAMP	
2 PLC ± -	3 PLC ± -	APPLICATION SPEC	SIZE A2	CAGE CODE 00779
4 PLC ± -	ANGLES ± -		DRAWING NO C=556624	RESTRICTED TO
MATERIAL	FINISH	WEIGHT -	SCALE 2:1	SHEET 1 of 1
		CUSTOMER DRAWING	REV G	

556624

A