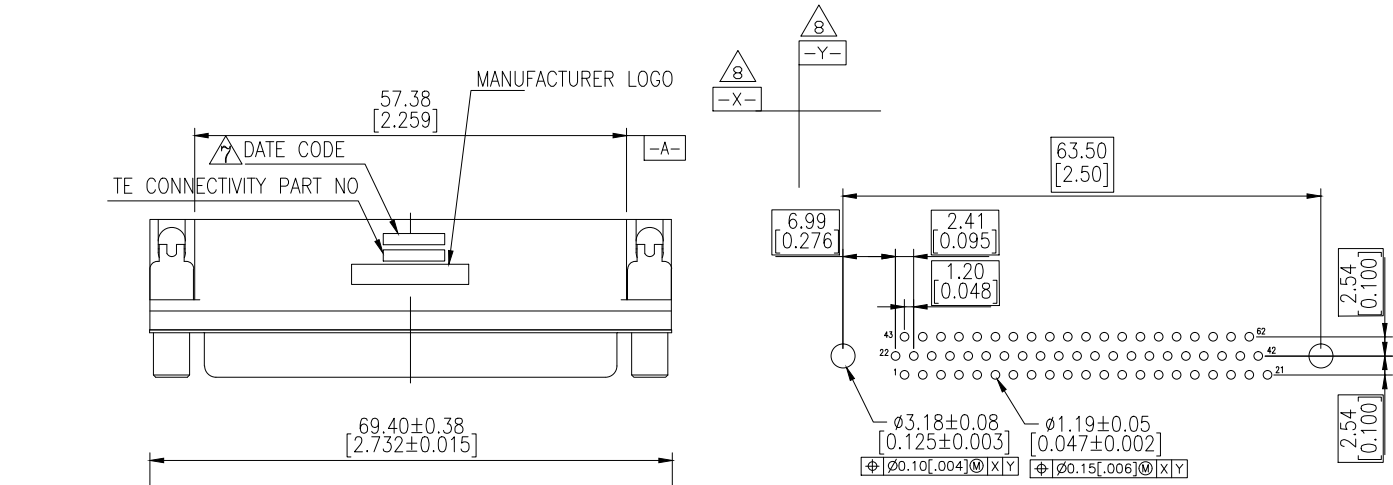
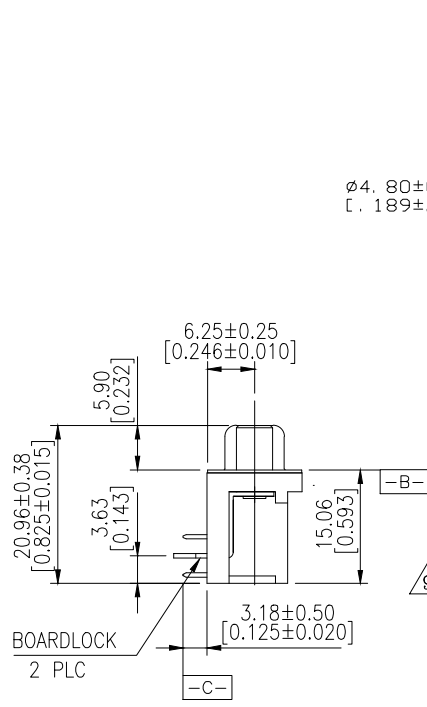
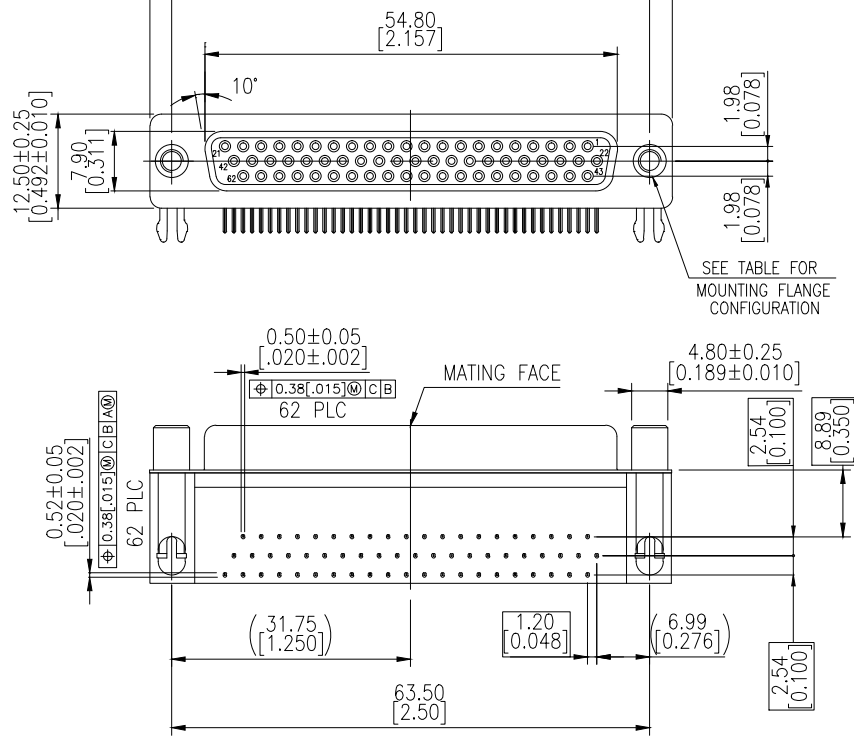


LOC		REVISONS			
P	LTR	DESCRIPTION	DATE	DWN	APVD
GP	00	B3	REVISED PER ECR-14-000726	30APR2014	S.C H.L



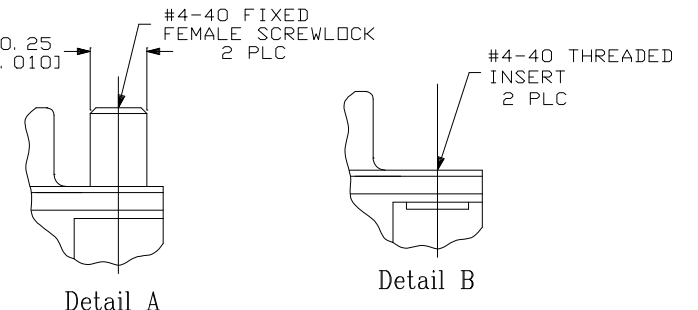
RECOMMENDED PCB LAYOUT



1. HOUSING MATERIAL: PBT, GLASS FILLED, BLACK, UL 94V-0 RATED.
2. CONTACT MATERIAL: PHOSPHOR BRONZE.
3. CONTACT FINISH: GOLD PLATE IN MATING AREA (SEE TABLE), 120µ" MIN TIN PLATE ON SOLDER TAIL, BOTH OVER 50µ" MIN NICKEL UNDERPLATE.
4. SHELL: STEEL, NICKEL PLATE.
5. BOARDLOCK: BRASS, 100µ" MIN TIN PLATE.
6. FEMALE SCREWLOCKS/ THREADED INSERTS: BRASS, NICKEL PLATE.

△ FOUR DIGIT DATE CODE IN THIS FORMAT.
 Year 01 45 Manufacturing Week

△ DATUMS **-X-** & **-Y-** TO BE ESTABLISHED BY CUSTOMER.
 △ OBSOLETE PARTS: OBSOLETE CIS STREAMLINING PER D.RENAUD/D.SINISI



OBsolete	Tray	Detail A	Gold flash	2-5748394-6
OBsolete	Tray	Detail A	15µ" MIN	2-5748394-5
OBsolete	Tray	Detail B	Gold flash	2-5748394-4
OBsolete	Tray	Detail B	15µ" MIN	2-5748394-3
OBsolete	Tray	Detail A	30µ" MIN	5748394-6
	Tray	Detail B	30µ" MIN	5748394-5
	Packaging	Mounting Flange Configuration	Contact Mating Area Finish	Part NO.

5748394-6, 2--5, & 2--6, SHOWN

DIMENSIONS:		TOLERANCES UNLESS OTHERWISE SPECIFIED:		MATERIAL		FINISH	
mm	[INCHES]	mm	[INCHES]				
0 PLC		±	-				
1 PLC		±	0.30				
2 PLC		±	0.20				
3 PLC		±	0.10				
4 PLC		±	0.05				
ANGLES			± 2°				

THIS DRAWING IS A CONTROLLED DOCUMENT.		DWN	B. MCMASTER	21SEP05
		DWK	S. BOLASH	21SEP05
		APVD	M. WALMSLEY	21SEP05
		NAME	TE Connectivity	
		PRODUCT SPEC	AMPLIMITE HD-22	
		APPLICATION SPEC	62 POS RECEPTACLE, RIGHT ANGLE	
		SIZE	A2	RESTRICTED TO
		CAGE CODE	00779	
		DRAWING NO	C=5748394	
		WEIGHT		
		CUSTOMER DRAWING	SCALE	2:1
		SHEET	1 of 1	REV
				B3