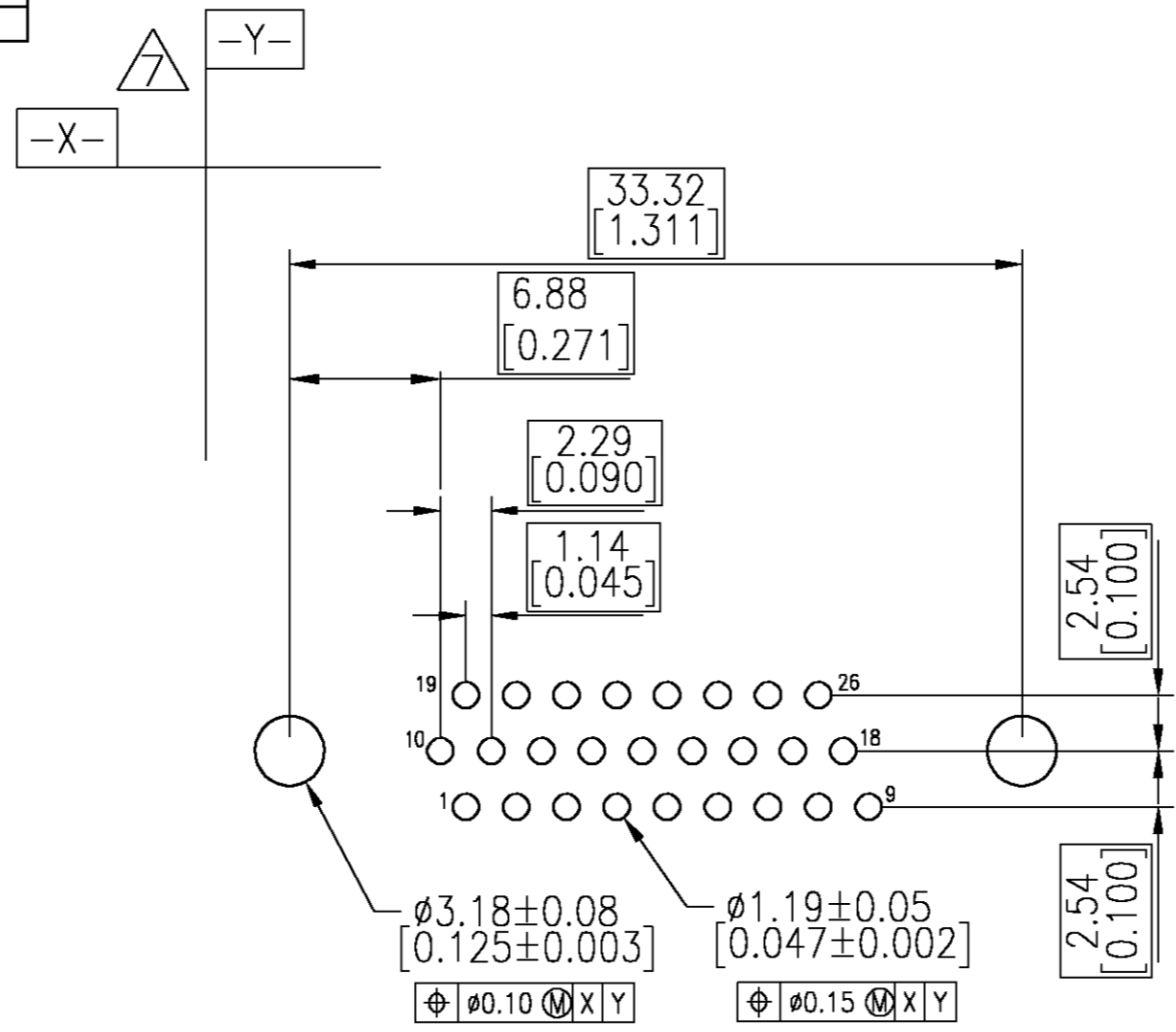
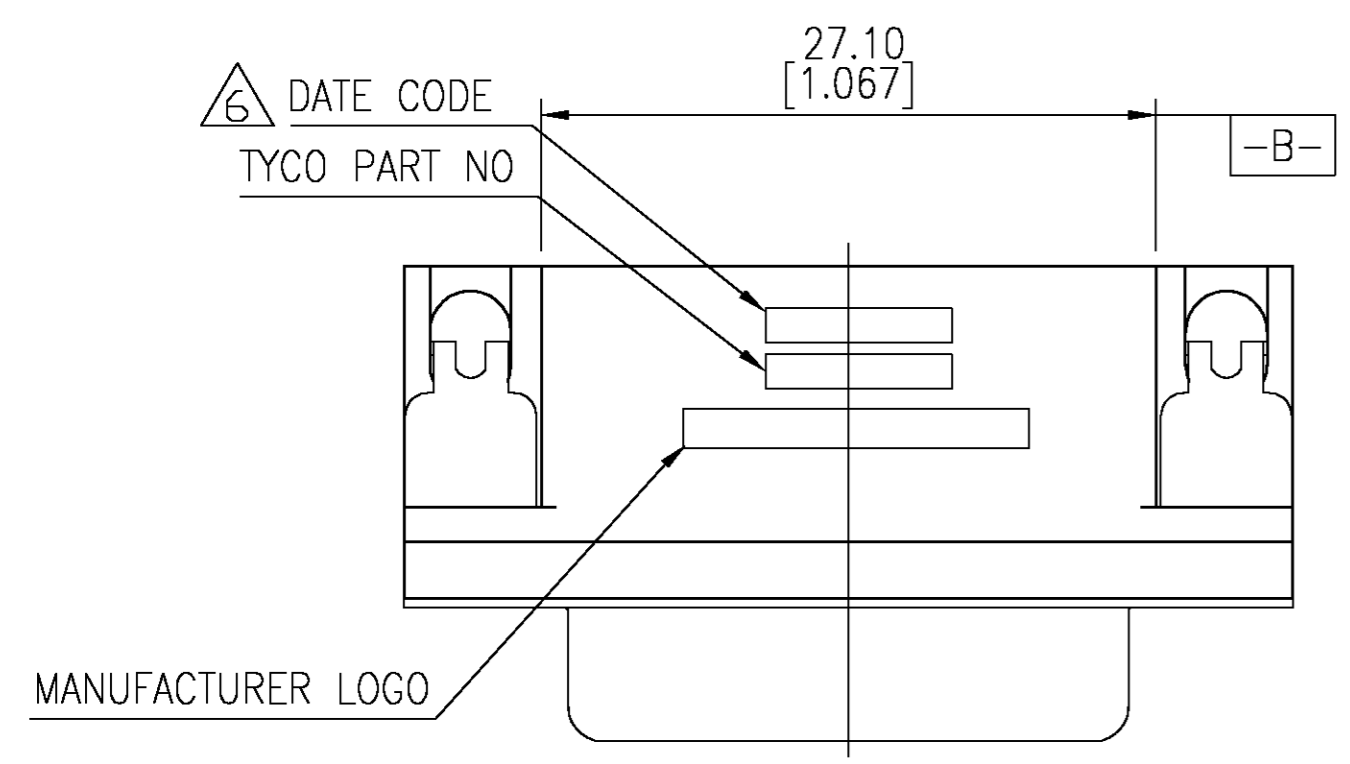
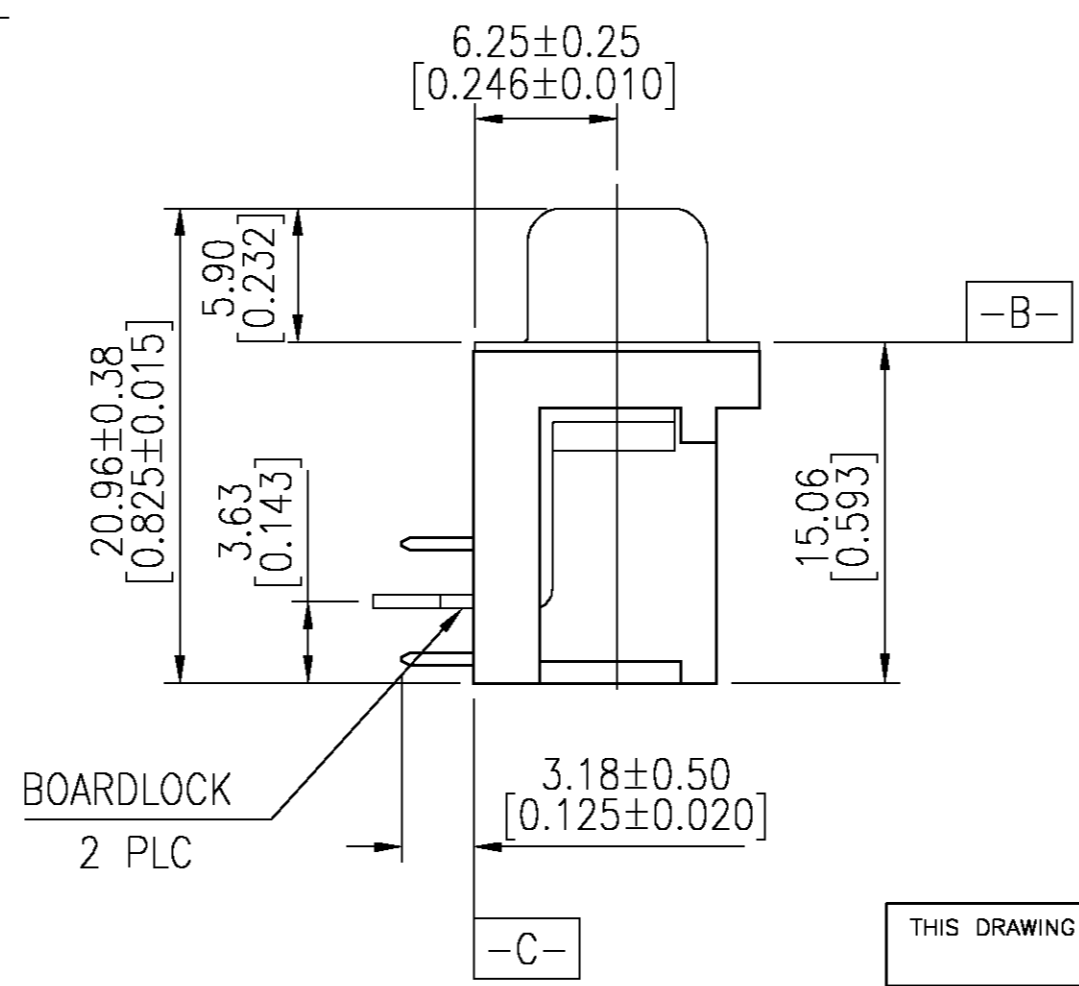
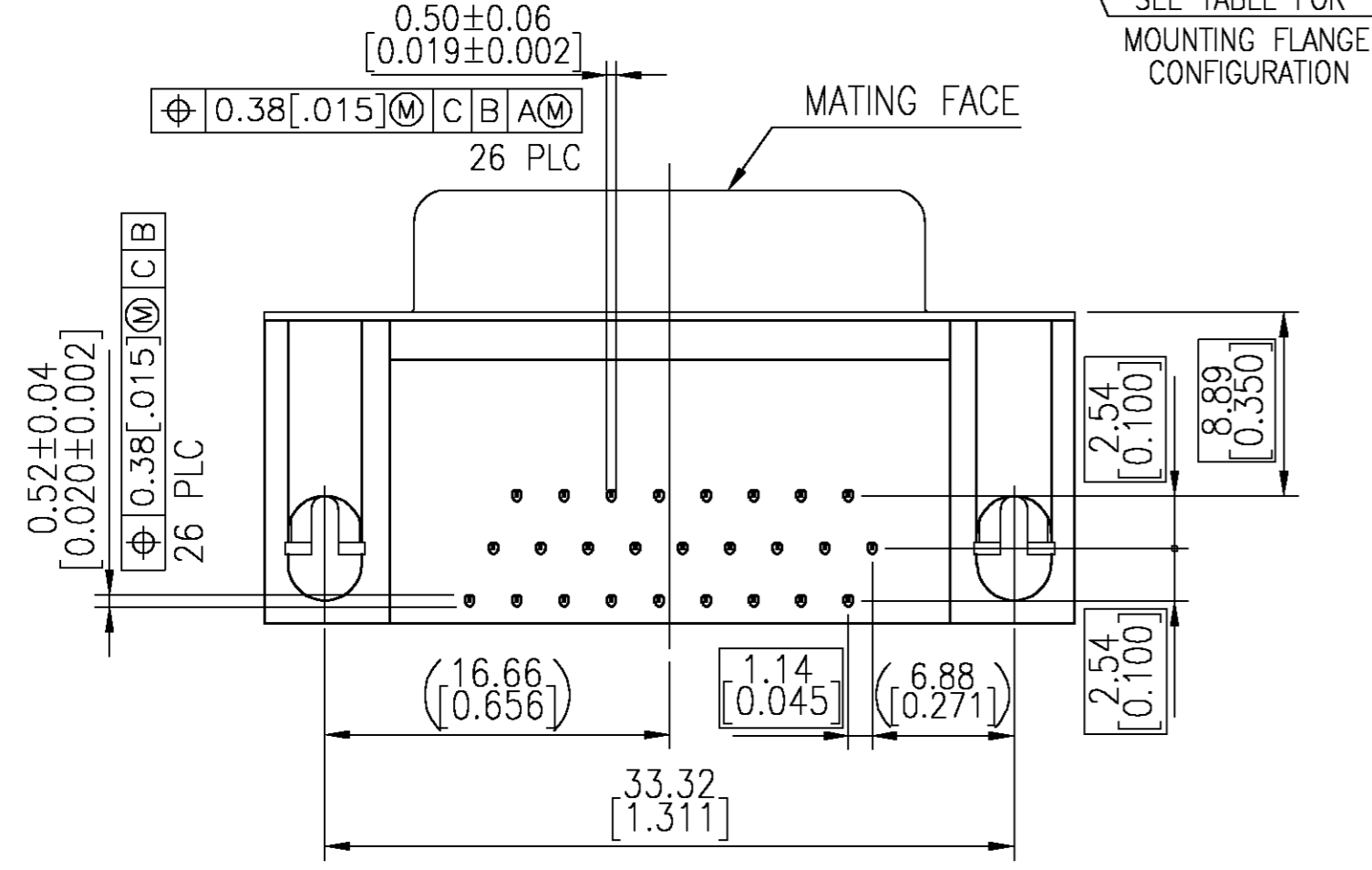
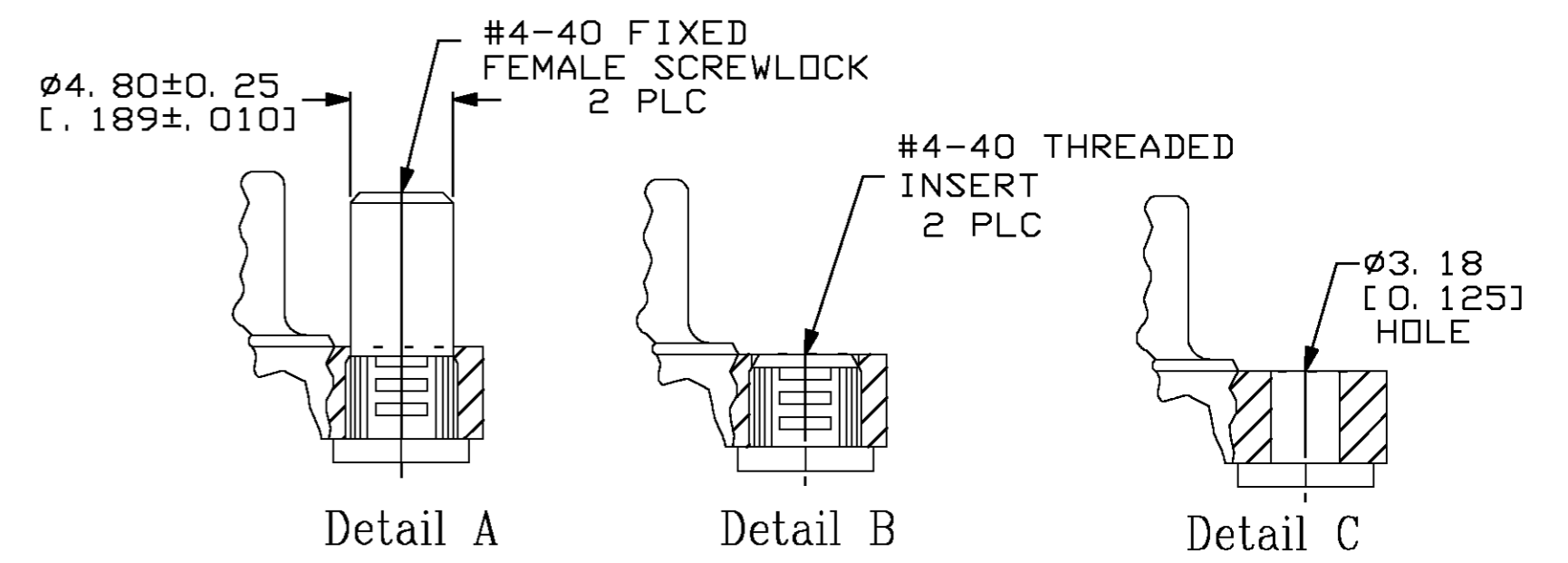
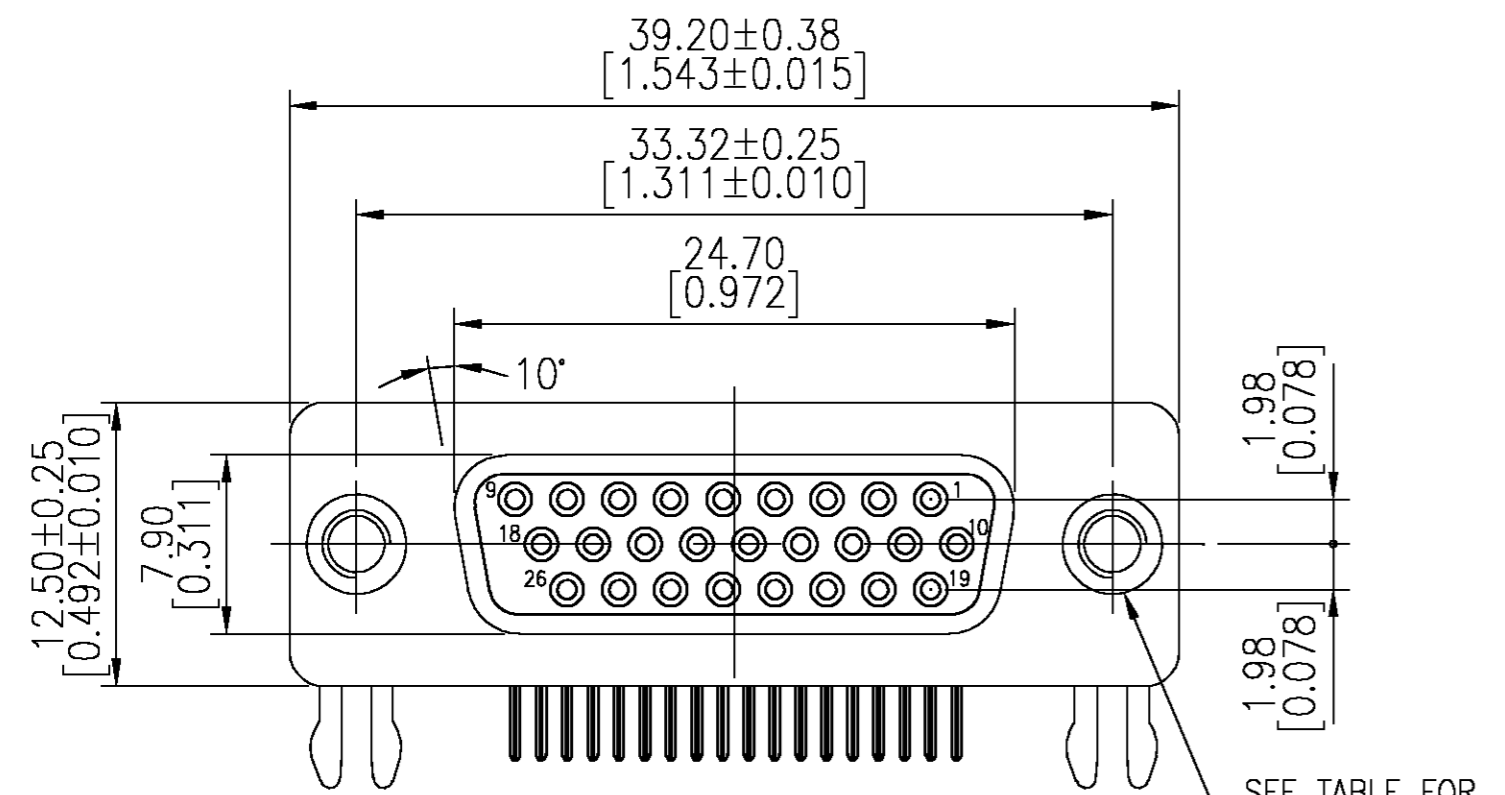


THIS DRAWING IS UNPUBLISHED. RELEASED FOR PUBLICATION
 © COPYRIGHT BY TYCO ELECTRONICS CORPORATION. ALL RIGHTS RESERVED.

Loc		DIST		REVISIONS			
GP	00	P	LTR	DESCRIPTION	DATE	DWN	APVD
		0		RELEASED PER EC OS13-0056-05	31MAY05	RR	JG



- HOUSING: PBT, 30% GF POLYESTER, UL 94V-0 RATED, COLOR BLACK.
- CONTACTS: PHOSPHOR BRONZE, GOLD PLATE IN MATING AREA (SEE TABLE), 120 μ MIN TIN PLATE ON SOLDER TAIL, BOTH OVER 50 μ MIN NICKEL UNDERPLATE.
- SHELL: STEEL, NICKEL PLATE.
- BOARDLOCK: BRASS, TIN PLATE 100 μ MIN.
- FEMALE SCREWLOCK: BRASS, NICKEL PLATE 30 μ MIN.
- FOUR DIGIT DATE CODE IN THIS FORMAT.
 01 45
 YEAR ———— MANUFACTURING WEEK
- DATUMS -X- & -Y- TO BE ESTABLISHED BY CUSTOMER.



Tray	Detail	Contact Mating Area Finish	Part No
Tray	Detail C	Gold flash	2-5748481-7
Tray	Detail C	15 μ MIN GOLD	2-5748481-6
Tray	Detail A	Gold flash	2-5748481-5
Tray	Detail A	15 μ MIN GOLD	2-5748481-4
Tray	Detail B	Gold flash	2-5748481-3
Tray	Detail B	15 μ MIN GOLD	2-5748481-2
Tray	Detail C	30 μ MIN GOLD	1-5748481-9
Tray	Detail A	30 μ MIN GOLD	5748481-6
Tray	Detail B	30 μ MIN GOLD	5748481-5
Packaging	Mounting Flange	Contact Mating Area Finish	Part No

THIS DRAWING IS A CONTROLLED DOCUMENT.

DWN	R.RICHARDSON	31MAY05
CHK	S.BOLASH	31MAY05
APVD	M.WALMSLEY	31MAY05
PRODUCT SPEC		
APPLICATION SPEC		
WEIGHT		
CUSTOMER DRAWING		

tyco Electronics Tyco Electronics Corporation Harrisburg, Pa 17105-3608

NAME: AMPLIMITE HD-22
 26 POS RECEPTACLE, RIGHT ANGLE

SIZE	A2	CAGE CODE	00779	DRAWING NO	C=5748481	RESTRICTED TO	
SCALE	1:1	SHEET	1	OF	1	REV	0