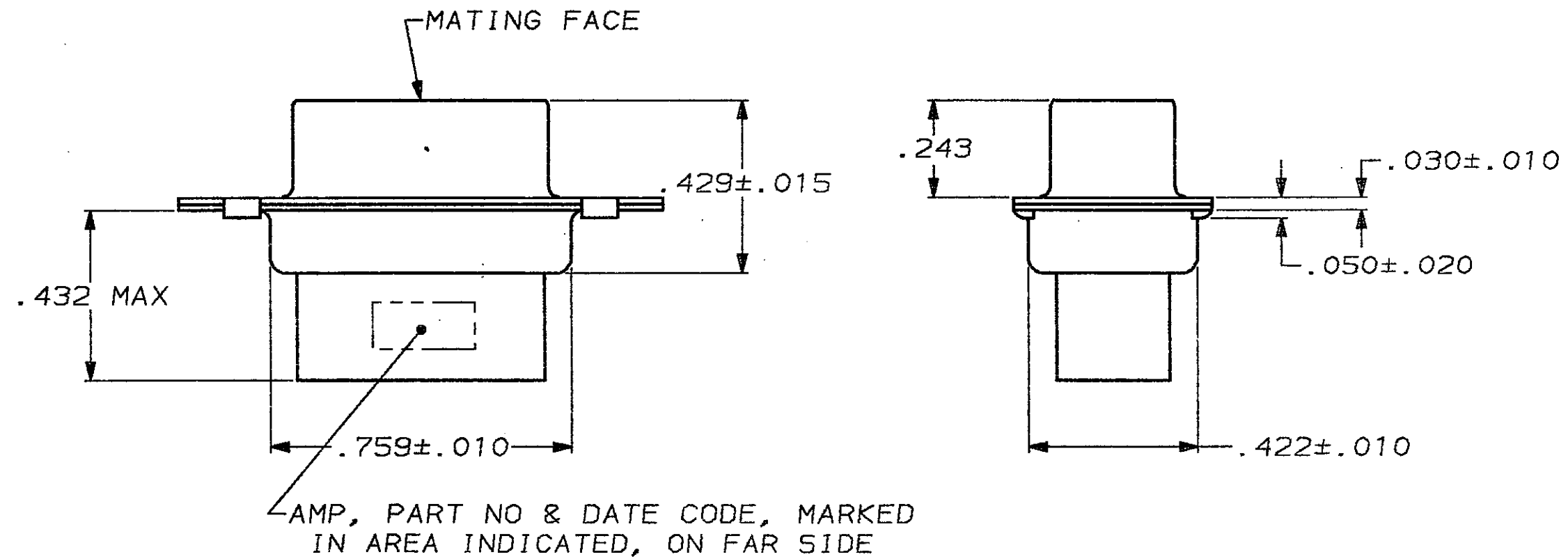
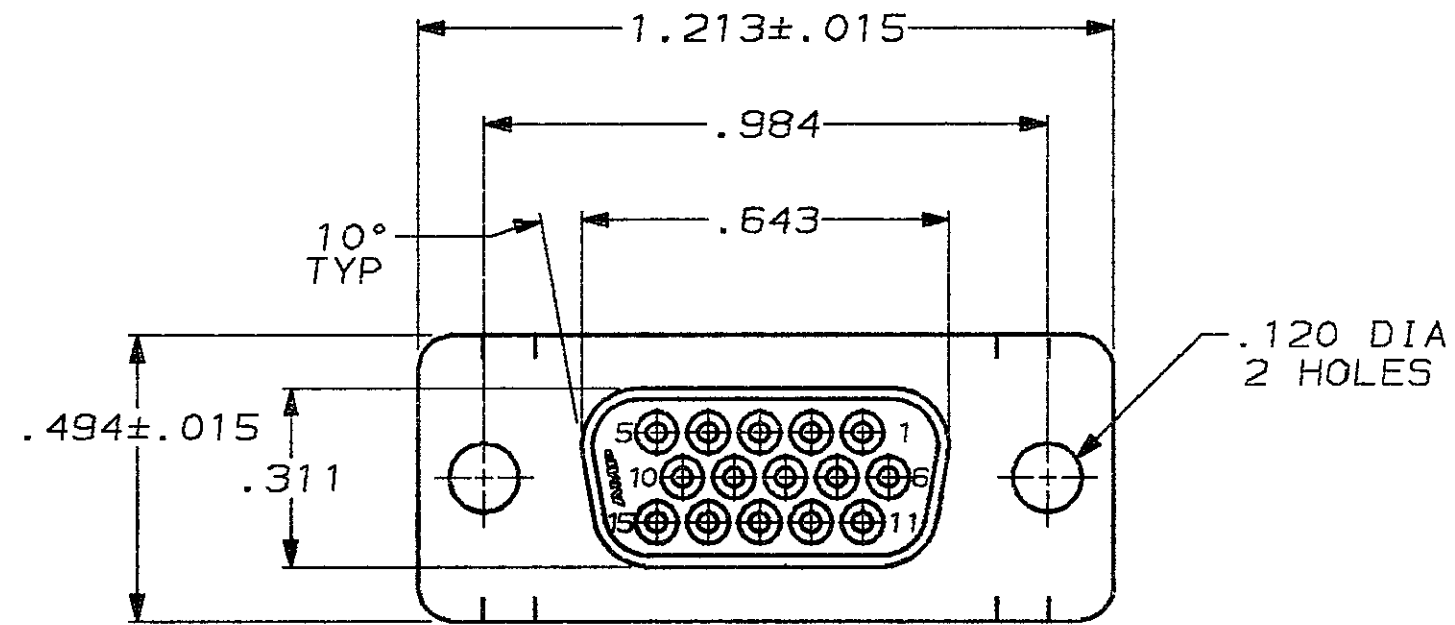


THIS DRAWING IS UNPUBLISHED. RELEASED FOR PUBLICATION .19  
 © COPYRIGHT 19 BY AMP INCORPORATED. ALL INTERNATIONAL RIGHTS RESERVED.

LOC		DIST		REVISIONS				
BD	39	P	F	ZONE	LTR	DESCRIPTION	DATE	APPD
					0	REL WAS 87-4870-13	-	-



AMP, PART NO & DATE CODE, MARKED IN AREA INDICATED, ON FAR SIDE

- 1. CONNECTOR ACCEPTS SIZE 22 DF SOCKET CONTACTS, RETENTION TINES ARE AN INTEGRAL PART OF INSERT.
- ② FLAME RETARDANT 94V-0 RATED GLASS FILLED NYLON, COLOR: BLACK.
- ③ STEEL PER ASTM A109.
- ④ TIN PLATED PER MIL-T-10727.

748565-1  
PART NO

DO NOT SCALE PRINT. UNLESS SPECIFIED DIMENSIONS IN INCHES. TOLERANCES ON: 2 PLC DEC ± - 3 PLC DEC ± .005 ANGLES ± 2°		DR - <i>C. Richard</i> 1/12/88 CHK - <i>W.G. Lember</i> 1-14-88 APPD - <i>J. Anthony</i> 1/14/88 APPD - <i>V. Kumar</i> 1/19/88		AMP INCORPORATED Harrisburg, Pa. 17105	
MATERIAL MOLDED PARTS: ② SHELLS: ③	PRODUCT SPEC -	NAME RECEPTACLE CONNECTOR, SIZE 1, 15 POSN, AMPLIMITE® HDP-22			
FINISH SHELLS: ④	APPLICATION SPEC -	SIZE C	FSCM NO 00779	DRAWING NO 748565	
	WEIGHT -	SCALE 3:1		SHEET 1 OF 1	