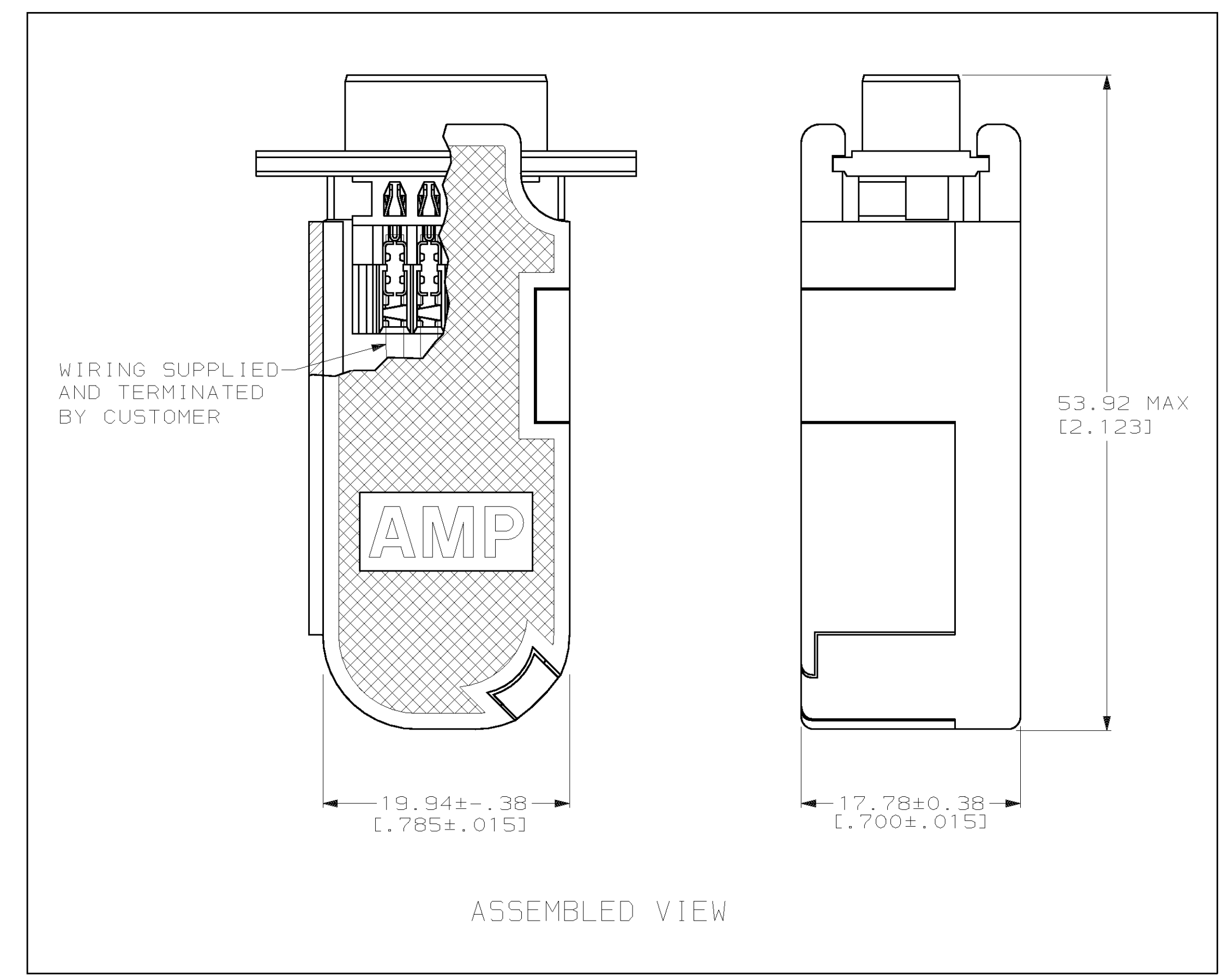
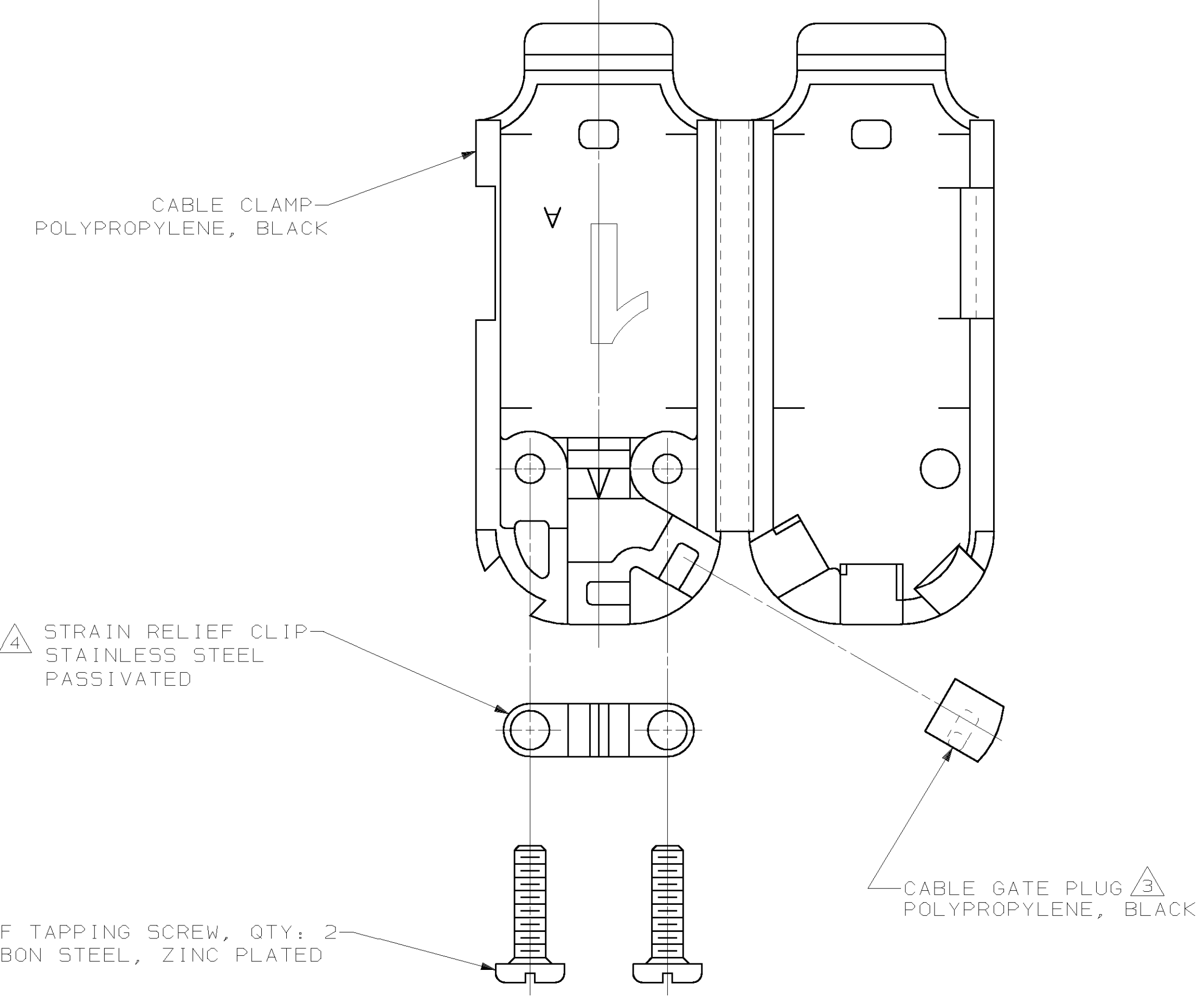
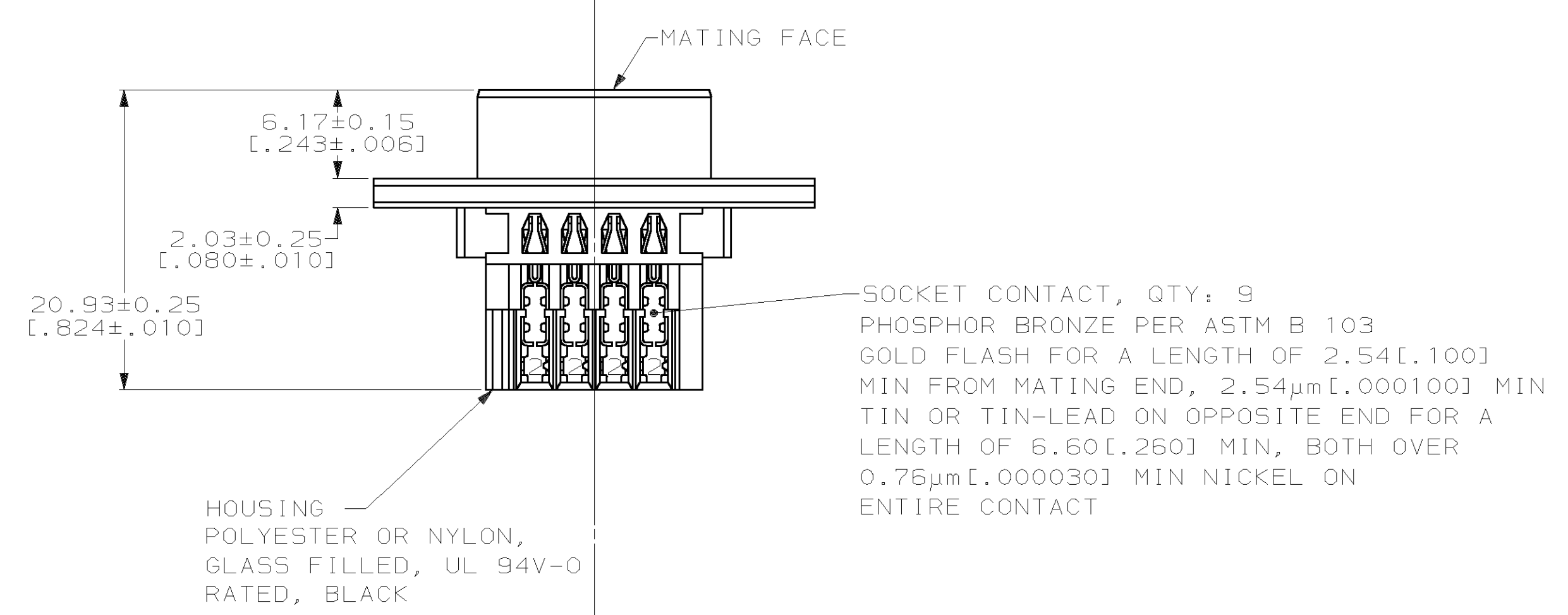
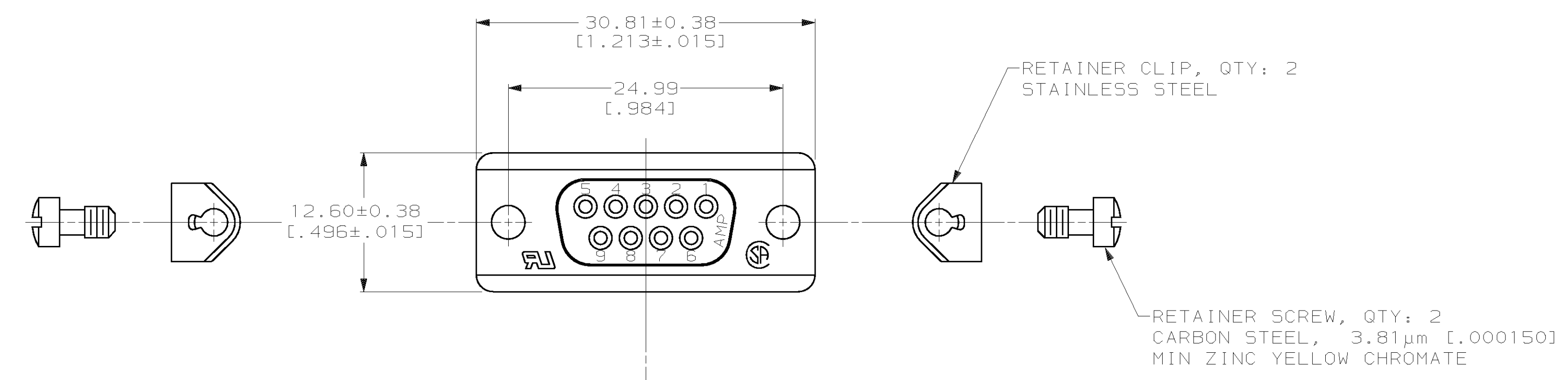


LOC	DIST	P	F	ZONE	LTR	DESCRIPTION	DATE	APPD
BD	48					RELEASED PER NPR 2503	1-4-90	-
						REV PER ECN BD4220	07/30/90	JW
						REV PER ECN BD4276	12/11/90	-
						REV PER ECN BD5736	08/26/92	RM
						REV PER EC 0U1D-0123-00	17 APR 00	JK



- CONTACTS ACCEPT 22-26 AWG RANGE.
- GOLD PLATING PER MIL-G-45204; NICKEL PLATING PER QQ-N-290; TIN PLATING PER MIL-T-10727, ZINC PLATING PER ASTM 8633, TYPE II, CLASS SC1.
- CABLE GATE PLUG TO BE PLACED IN CABLE EXIT NOT BEING USED.
- STRAIN RELIEF CLIP CAN BE REVERSED FOR PROPER INSTALLATION, DEPENDING ON SIZE OF CABLE DIAMETER.
- CABLE DIAMETER RANGE = 1.91-6.35 [0.075-.250].

DO NOT SCALE PRINT. UNLESS SPECIFIED DIMENSIONS IN mm [INCHES] TOLERANCES ON: 2 PLC DEC ± 0.13 [0.005] 3 PLC DEC ± - ANGLES ± -		DR 1-5-90 W.G. LENKER		749813-1 PART NO	
CHK 6-4-90 R. STONE	APPD 6-5-90 BOB TALYOR	AMP INCORPORATED Harrisburg, Pa. 17105			
APPD 6-6-90 J. ASSINI	PRODUCT SPEC 108-40011				
SEE CALLOUTS	APPLICATION SPEC 114-40002	RECEPTACLE KIT, UNASSEMBLED, SIZE 1, 9 POSITION, AMPLIMITE® HDE-20			
FINISH SEE CALLOUTS	WEIGHT -	SIZE D	CAGE CODE 00779	DRAWING NO 749813-1	SHEET 1 OF 1
		SCALE 3:1			