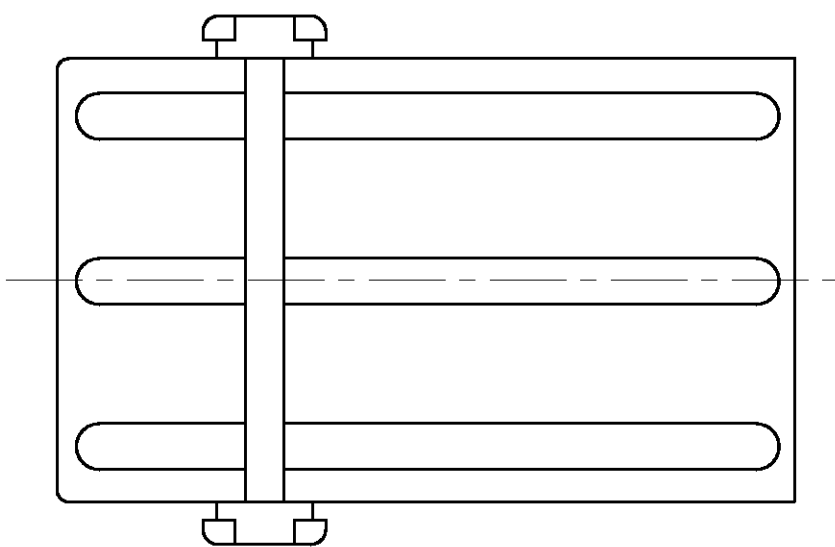
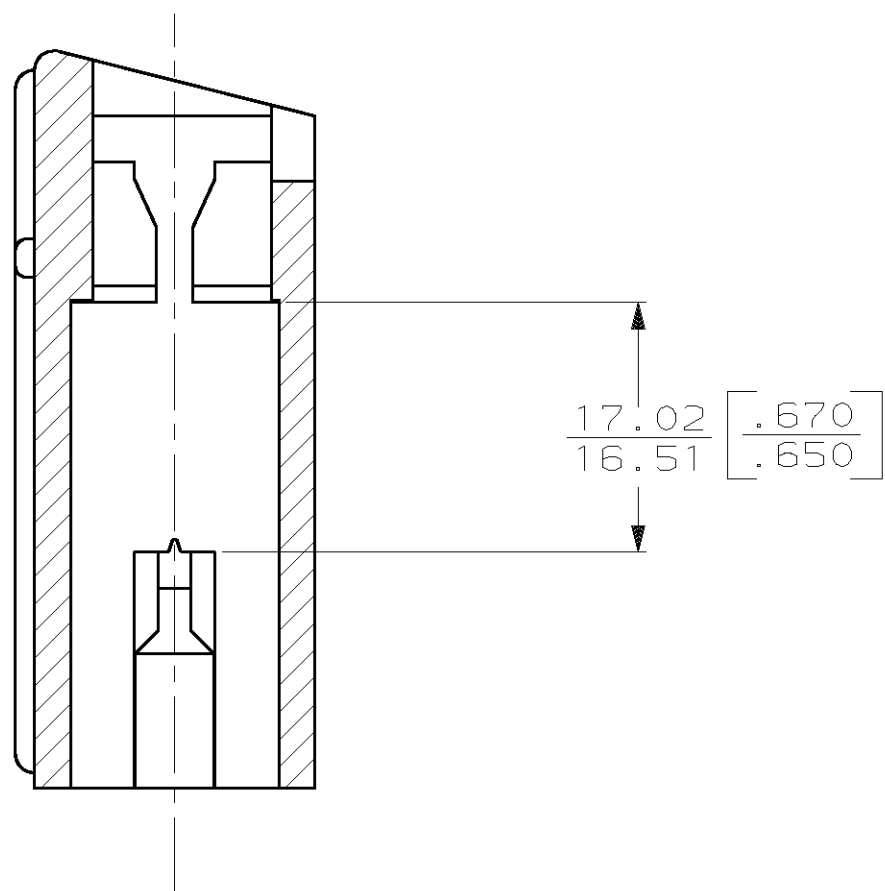
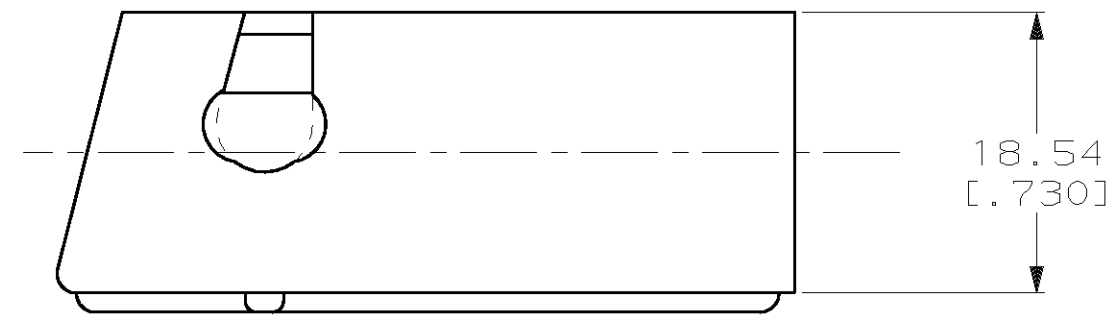
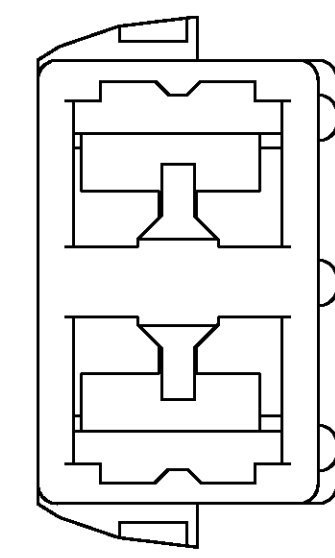
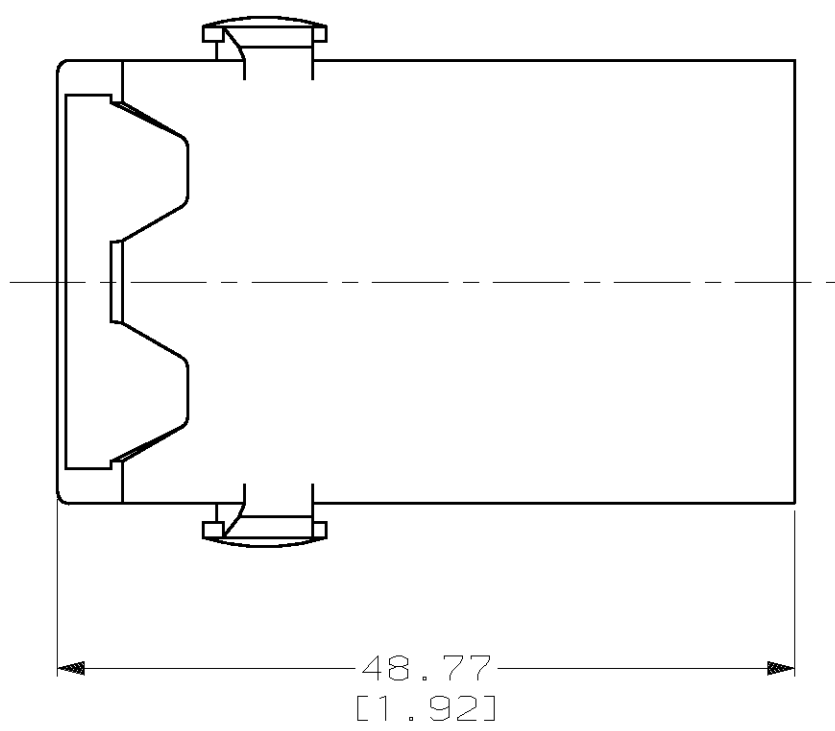
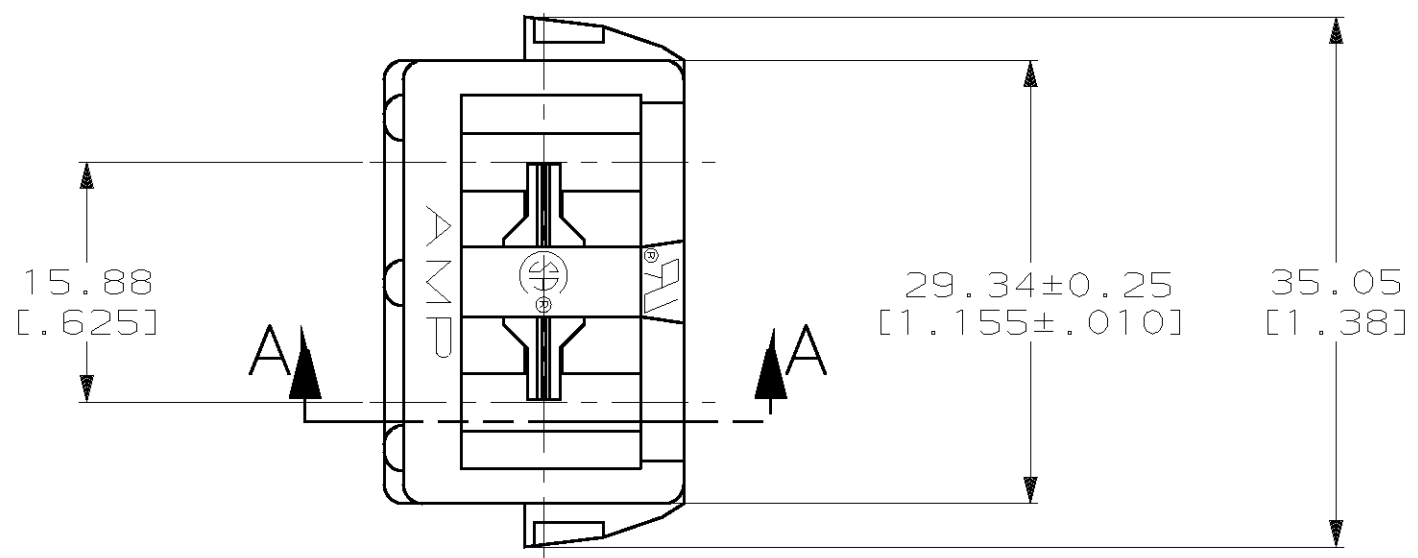


LOC		DIST		REVISIONS				DATE	APPD
P	F	ZONE	LTR	DESCRIPTION					
AF	50			D	REVISED PER 061A-0114-99			01APR1999	PF/JD



1 ACCEPTS CONTACT 640748.

SECTION A-A

770524-1
PART NO

DO NOT SCALE PRINT. UNLESS SPECIFIED DIMENSIONS IN mm [INCHES] TOLERANCES ON : 2 PLC DEC ± 0.25 [.010] 3 PLC DEC ± - ANGLES ± -	DR 07/JUL/95 PHILLIP M FORTNEY	AMP Incorporated Harrisburg, PA 17105-3608
	CHK 07/JUL/95 JEFF R RUTH	
APPD 07/JUL/95 JOHN PASTOR		
APPD 07/JUL/95 MARK BARNABA		
MATERIAL PHENOLIC	PRODUCT SPEC -	NAME HOUSING, 2 CIRCUIT, HEAVY DUTY BURNER
FINISH COLOR-BLACK	APPLICATION SPEC -	SIZE C 00779
WEIGHT -		CAGE CODE C=770524
		DRAWING NO C=770524
		RESTRICTED TO -
		SCALE 2:1
		SHEET 1 OF 1

THIS DRAWING IS A CONTROLLED DOCUMENT FOR AMP INCORPORATED. IT IS SUBJECT TO CHANGE AND THE CONTROLLING ENGINEERING ORGANIZATION SHOULD BE CONTACTED FOR THE LATEST REVISION.