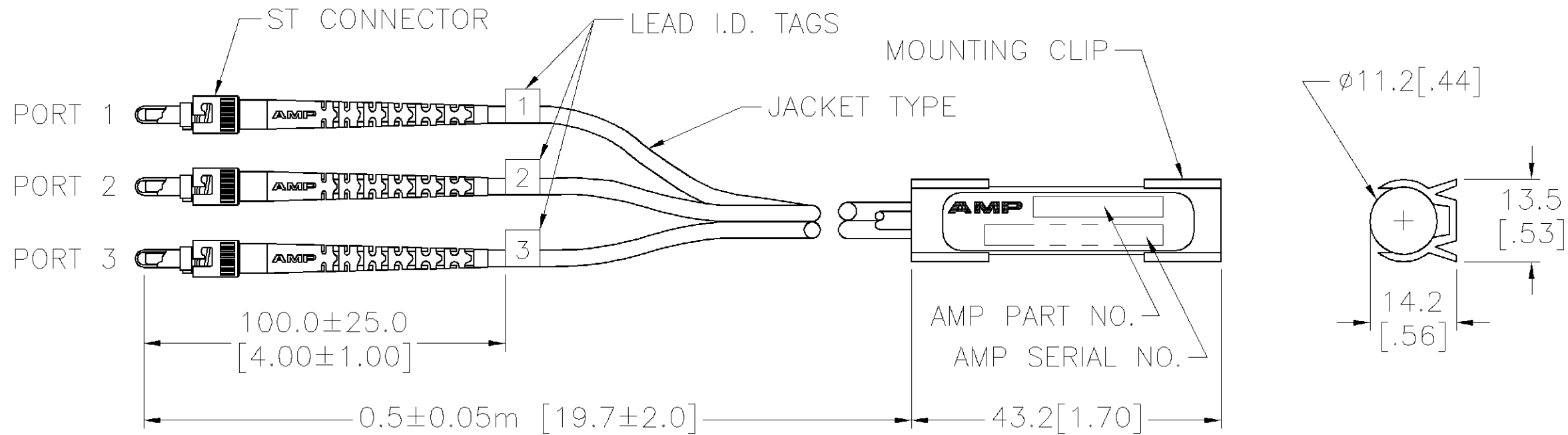


THIS DRAWING IS UNPUBLISHED. RELEASED FOR PUBLICATION  
 © COPYRIGHT BY TYCO ELECTRONICS CORPORATION. ALL RIGHTS RESERVED.

LOC	DIST	REVISIONS					
EA	17	P	LTR	DESCRIPTION	DATE	DWN	APVD
		G		REVISE PER ECN 0A10-0222-01	06NOV01	SU	JM



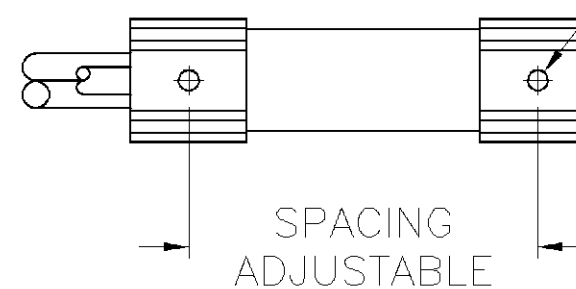
**SPECIFICATIONS:**

UNCONNECTORIZED \*  
 INSERTION LOSS  
 (PER FOTP-34, METHOD A):  
 MUX 1.2dB MAX 0.9dB TYP.  
 DEMUX 1.3dB MAX 0.9dB TYP.

\* FOR ADDITIVE CONNECTOR  
 LOSSES REFER TO AMP  
 SPECIFICATION 115-56050.

DIRECTIVITY:  
 TYPICAL: >55dB  
 MINIMUM: >45dB  
 WAVELENGTH BANDPASS (nm):  
 TYPICAL: 120nm  
 MINIMUM: 100nm  
 RETURN LOSS (REFLECTANCE):  
 MUX - MINIMUM: 35dB  
 DEMUX -  
 PORT 1 ≤-13dB  
 PORT 2 ≤-15dB  
 PORT 3 ≤-35dB

WITHOUT CONNECTORS  
 ISOLATION:  
 MUX & DEMUX 35dB MIN (TYP. 42dB)  
 OPERATING TEMPERATURE: -40°C TO +65°C  
 STORAGE TEMPERATURE: -40°C TO +75°C



PART NUMBER	FIBER TYPE	JACKET TYPE
99102-2	50/125/250	3mm
99102-3	62.5/125/250	3mm
9-99102-2	50/125/250	900µm
9-99102-3	62.5/125/250	900µm

THIS DRAWING IS A CONTROLLED DOCUMENT.		DWN D. HEINZ 14DEC96	Tyco Electronics Corporation Harrisburg, PA 17057		
DIMENSIONS: MM [INCHES]		CHK A. McCLISH 15DEC96			
TOLERANCES UNLESS OTHERWISE SPECIFIED:		APVD A. McCLISH 15DEC96	PRODUCT SPEC -		
0 PLC ± - 1 PLC ± 1.0 [.04] 2 PLC ± 0.38 [.015] 3 PLC ± - 4 PLC ± - ANGLES ± 2'		APPLICATION SPEC -		SIZE A3	RESTRICTED TO -
MATERIAL -		WEIGHT -		CAGE CODE 00779	DRAWING NO C-99102
CUSTOMER DRAWING			SCALE NTS	SHEET 1 OF 1	REV G