

Sealed Receptacle Contacts

Technical Features

Contact Material:

CuNiSi
Top Spring: Stainless Steel

Contact Finish:

Tin plated, selective silver plated,
selective gold plated

Wire Size Range:

0.20–0.35 mm², 0.5–1.0 mm²,
>1.0–1.5 mm² (FLR Cable)

Current Carrying Capacity:

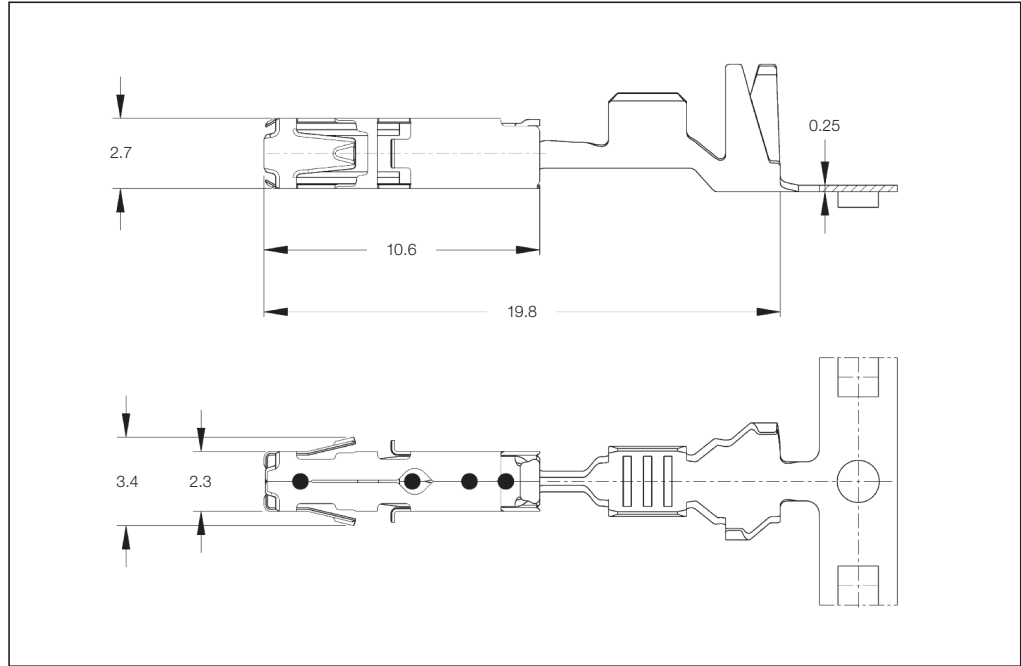
up to 20 Ampere
(at 20 °C ambient temperature)

Temperature Range:

–40 °C ... +130 °C (tin plated)
–40 °C ... +140 °C (silver plated)
–40 °C ... +150 °C (gold plated)

Mating Cycles:●

up to 10 cycles (tin plated)
up to 50 cycles (silver plated)
up to 100 cycles (gold plated)



Contact Resistance:

New State ≤ 2 mΩ

Mating Force:

Max. 6 N

Unmating Force:

Max. 6 N

Dimension of Male Contacts:

1.5^{+0.2}_{-0.1} x 0.6^{+0.07}_{-0.03} mm

Extraction Tool:

Part No. **1-1579007-1**

Product Group Drawing:

1241436

Product Specification:

108-18716

Application Specification:

114-18386

●) Mating Cycles are depending on various technical influences and must be clarified in each individual case.

Receptacle Contacts Single Wire Sealing System (SWS)

| Wire Size Range (mm ²) | Insulation Diameter (mm) | | Material and Finish* | Part Numbers | | | | | |
|------------------------------------|--------------------------|---------|------------------------|--------------|------------------|-------------|------------------|-------------|--------------------|
| | FLK | FLR | | Strip Form | Package Quantity | Loose-Piece | Package Quantity | Applicator♦ | Hand Tool Complete |
| 0.20–0.35 | – | 1.1–1.4 | -1 / -2 / -3 | 1241378 | 4,500 | 1241379 | 500 | x-1528122-x | 2063524-1 |
| 0.5–1.0 | – | 1.4–2.1 | -1 / -2 / -3 / 1-xxx-2 | 1241380 | 4,500 | 1241381 | 500 | x-1528324-x | |
| >1.0–1.5 | – | 2.2–2.4 | -1 / -3 | 1418884 | 4,500 | 1418885 | 500 | x-1530008-x | |

***) Material and Finish:**

xxx-1 = CuNiSi, pre-tin plated
xxx-2 = CuNiSi, selective gold plated
xxx-3 = CuNiSi, selective silver plated
1-xxx-2 = CuNiSi, min. 1.27 μm selective gold plated

♦) The pre- and suffix for the applicators depends on the applied termination equipment.

Note: All Part Numbers are RoHS and ELV compliant.