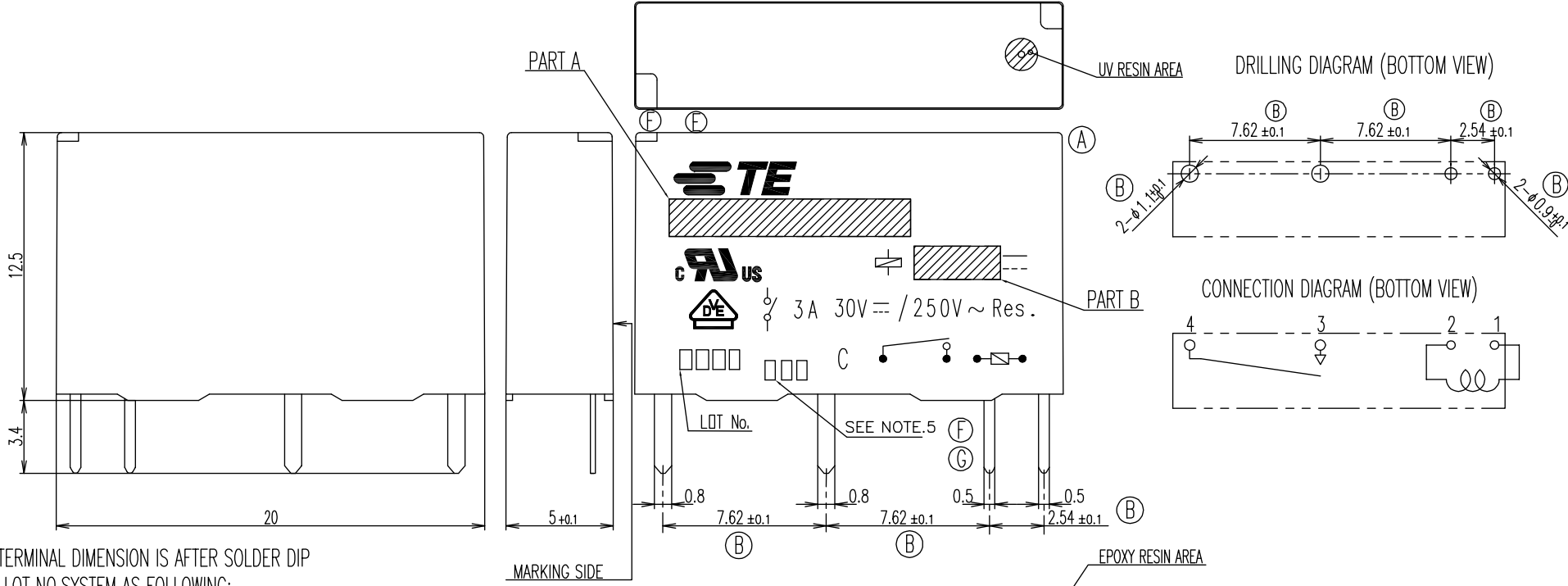


THIS DRAWING IS UNPUBLISHED. RELEASED FOR PUBLICATION
 © COPYRIGHT - By TE CONNECTIVITY ALL RIGHTS RESERVED.

| LOC | DIST | REVISIONS | | | | |
|-----|------|---|---------------|-----------|------|------|
| P | LTR | DESCRIPTION | DATE | DWN | APVD | |
| HB | - | 1.CHANGE TE LOGO and VDE LOGO. 2.ADD ONE CHARACTER DISTINGUISH THE LINE IDENTITY.3. MARKING PRINT FROM INK CHANGE TO LASER | ECO-12-005736 | 25-APR-12 | FS.H | BH.Y |
| | | G ADD NEW LOT NO.SYSTEM | ECO-12-014659 | 20-AUG-12 | FS.H | BH.Y |



1.TERMINAL DIMENSION IS AFTER SOLDER DIP
 2. LOT NO.SYSTEM AS FOLLOWING;
 0 2 0 1 | I ...2 DIGITS FOR THE CHRISTIAN YEAR
 2007....07 2010....10
 2008....08 2011....11
 2009....09 20xx....xx
 II ...2 DIGITS FOR WEEK MANUFACTURED AS
 03.... 3 WEEKS IN 1 YEAR
 04.... 4 WEEKS IN 1 YEAR
 xx.... xx WEEKS IN 1 YEAR

- Ⓔ 3.MARKING FROM INK CHANGE TO LASER
- Ⓕ 4.ONE CHARACTER DISTINGUISH THE LINE IDENTITY, SUCH AS: A, B,...
- Ⓖ 5.ADD LOT NO. SYSTEM AS FOLLOWING;

I | II | III
 I, DIGITS FOR DAY OF THE WEEK
 1...MONDAY IN THIS WEEK;
 2...TUESDAY IN THIS WEEK;

 7...SUNDAY IN THIS WEEK
 II, DIGITS FOR SHIFT OF THE DAY
 1...DAY SHIFT IN THIS DAY;
 2...NIGHT SHIFT IN THIS DAY;
 III, ONE CHARACTER DISTINGUISH THE LINE IDENTITY, SUCH AS: A,B,.....Z

| Diagram dimension | Tolerance |
|-------------------|-----------|
| 0.99mm max | ±0.1mm |
| 1 - 2.99mm | ±0.2mm |
| 3mm min | ±0.3mm |

| | | | | | |
|---|--|------------------|--|----------------------------|---------------|
| THIS DRAWING IS A CONTROLLED DOCUMENT. | | DWN M.MOCHIZUKI | | | |
| DIMENSIONS: mm | | CHK Y.OKAMOTO | | | |
| TOLERANCES UNLESS OTHERWISE SPECIFIED: | | APVD A.NAGAI | | NAME | |
| 0 PLC ± - 1 PLC ± - 2 PLC ± - 3 PLC ± - 4 PLC ± - ANGLES ± - FINISH | | PRODUCT SPEC | | PCN-D3M** CUSTOMER DRAWING | |
| MATERIAL | | APPLICATION SPEC | | SIZE | RESTRICTED TO |
| | | WEIGHT | | A3 | |
| | | CUSTOMER DRAWING | | CAGE CODE | DRAWING NO |
| | | | | 00779 | C-1461491 |
| | | SCALE | | SHEET | REV |
| | | 5:1 | | 1 OF 3 | G |

THIS DRAWING IS UNPUBLISHED. RELEASED FOR PUBLICATION
 © COPYRIGHT - By TE CONNECTIVITY ALL RIGHTS RESERVED.

| | | | | | | | |
|-----|------|-----------|-----|-------------|------|-----|------|
| LOC | DIST | REVISIONS | | | | | |
| HB | - | P | LTR | DESCRIPTION | DATE | DWN | APVD |
| | | - | | SEE SHEET 1 | - | - | - |


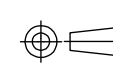
| PART B | PART A | DESCRIPTION | TE PART NO | PACKING SPECIFICATION | PRODUCT SPEC | DISCRPTION | No. | |
|----------|--------|--------------|------------------|-----------------------|------------------|-------------------------------------|---|-----------|
| (C4)(B3) | 24V | PCN-124D3MHZ | PCN-124D3MHZ,001 | 3-1461491-8 | 107-79039 (TUBE) | REINFORCED INSURATION WASHABLE TYPE | d | |
| (C4)(B3) | 4.5V | PCN-104D3MHZ | PCN-104D3MHZ,001 | 3-1461491-7 | 107-79039 (TUBE) | | | |
| | 24V | PCN-124D3MHZ | PCN-124D3MHZ | 3-1461491-6 | 107-79039 (TUBE) | | | 108-79629 |
| | 23.5V | PCN-123D3MHZ | PCN-123D3MHZ | 3-1461491-5 | 107-79039 (TUBE) | | | 108-79628 |
| | 18V | PCN-118D3MHZ | PCN-118D3MHZ | 3-1461491-4 | 107-79039 (TUBE) | | | 108-79627 |
| | 12V | PCN-112D3MHZ | PCN-112D3MHZ | 3-1461491-3 | 107-79039 (TUBE) | | | 108-79626 |
| | 9V | PCN-109D3MHZ | PCN-109D3MHZ | 3-1461491-2 | 107-79039 (TUBE) | | | 108-79625 |
| | 6V | PCN-106D3MHZ | PCN-106D3MHZ | 3-1461491-1 | 107-79039 (TUBE) | | | 108-79624 |
| | 5V | PCN-105D3MHZ | PCN-105D3MHZ | 3-1461491-0 | 107-79039 (TUBE) | | | 108-79623 |
| | 4.5V | PCN-104D3MHZ | PCN-104D3MHZ | 2-1461491-9 | 107-79039 (TUBE) | | | 108-79622 |
| | 3V | PCN-103D3MHZ | PCN-103D3MHZ | 2-1461491-8 | 107-79039 (TUBE) | 108-79621 | | |
| | 24V | PCN-124D3MZ | PCN-124D3MZ | 2-1461491-7 | 107-79039 (TUBE) | 108-79620 | REINFORCED INSURATION PLASTIC SEALED TYPE | c |
| | 23.5V | PCN-123D3MZ | PCN-123D3MZ | 2-1461491-6 | 107-79039 (TUBE) | 108-79619 | | |
| | 18V | PCN-118D3MZ | PCN-118D3MZ | 2-1461491-5 | 107-79039 (TUBE) | 108-79618 | | |
| | 12V | PCN-112D3MZ | PCN-112D3MZ | 2-1461491-4 | 107-79039 (TUBE) | 108-79617 | | |
| | 9V | PCN-109D3MZ | PCN-109D3MZ | 2-1461491-3 | 107-79039 (TUBE) | 108-79616 | | |
| | 6V | PCN-106D3MZ | PCN-106D3MZ | 2-1461491-2 | 107-79039 (TUBE) | 108-79615 | | |
| | 5V | PCN-105D3MZ | PCN-105D3MZ | 2-1461491-1 | 107-79039 (TUBE) | 108-79614 | | |
| | 4.5V | PCN-104D3MZ | PCN-104D3MZ | 2-1461491-0 | 107-79039 (TUBE) | 108-79613 | | |
| | 3V | PCN-103D3MZ | PCN-103D3MZ | 1-1461491-9 | 107-79039 (TUBE) | 108-79612 | | |
| | | | | | | | | |

| | | | | | | | |
|-------|-------------|-------------|-------------|------------------|-----------|---|---|
| 24V | PCN-124D3MH | PCN-124D3MH | 1-1461491-8 | 107-79039 (TUBE) | 108-79611 | STANDARD INSURATION WASHABLE TYPE | b |
| 23.5V | PCN-123D3MH | PCN-123D3MH | 1-1461491-7 | 107-79039 (TUBE) | 108-79610 | | |
| 18V | PCN-118D3MH | PCN-118D3MH | 1-1461491-6 | 107-79039 (TUBE) | 108-79609 | | |
| 12V | PCN-112D3MH | PCN-112D3MH | 1-1461491-5 | 107-79039 (TUBE) | 108-79608 | | |
| 9V | PCN-109D3MH | PCN-109D3MH | 1-1461491-4 | 107-79039 (TUBE) | 108-79607 | | |
| 6V | PCN-106D3MH | PCN-106D3MH | 1-1461491-3 | 107-79039 (TUBE) | 108-79606 | | |
| 5V | PCN-105D3MH | PCN-105D3MH | 1-1461491-2 | 107-79039 (TUBE) | 108-79605 | | |
| 4.5V | PCN-104D3MH | PCN-104D3MH | 1-1461491-1 | 107-79039 (TUBE) | 108-79604 | | |
| 3V | PCN-103D3MH | PCN-103D3MH | 1-1461491-0 | 107-79039 (TUBE) | 108-79603 | | |
| | | | | | | | |
| 24V | PCN-124D3M | PCN-124D3M | 1461491-9 | 107-79039 (TUBE) | 108-79602 | STANDARD INSURATION PLASTIC SEALED TYPE | a |
| 23.5V | PCN-123D3M | PCN-123D3M | 1461491-8 | 107-79039 (TUBE) | 108-79601 | | |
| 18V | PCN-118D3M | PCN-118D3M | 1461491-7 | 107-79039 (TUBE) | 108-79600 | | |
| 12V | PCN-112D3M | PCN-112D3M | 1461491-6 | 107-79039 (TUBE) | 108-79599 | | |
| 9V | PCN-109D3M | PCN-109D3M | 1461491-5 | 107-79039 (TUBE) | 108-79598 | | |
| 6V | PCN-106D3M | PCN-106D3M | 1461491-4 | 107-79039 (TUBE) | 108-79597 | | |
| 5V | PCN-105D3M | PCN-105D3M | 1461491-3 | 107-79039 (TUBE) | 108-79596 | | |
| 4.5V | PCN-104D3M | PCN-104D3M | 1461491-2 | 107-79039 (TUBE) | 108-79595 | | |
| 3V | PCN-103D3M | PCN-103D3M | 1461491-1 | 107-79039 (TUBE) | 108-79594 | | |
| | | | | | | | |

| 15 | UV RESIN |
|-----|---------------------|
| 14 | CASE (NATURAL) |
| 14 | CASE (BLACK) |
| 13 | EPOXY |
| 12 | MAGNETIC WIRE |
| 11 | CARD (NATURAL) |
| 11 | CARD (BLACK) |
| 10 | ARMATURE |
| 9 | STATIONARY CONTACT |
| 8 | STATIONARY TERMINAL |
| 7 | MOVABLE CONTACT |
| 6 | MOVABLE TERMINAL |
| 5 | BASE (NATURAL) |
| 5 | BASE (BLACK) |
| 4 | CORE |
| 3 | COIL TERMINAL B |
| 2 | COIL TERMINAL A |
| 1 | BOBBIN (BLACK ONLY) |
| TEM | DESCRIPTION |

(B1) MOLD COLOR
 NATURAL: REINFORCED INSURATION MODEL
 強化絶縁品 (IEC1131-2 Conformed)
 BLACK: BASIC INSURATION MODEL
 基礎絶縁品 (IEC1131-2 Conformed)

PARTS LIST

| | | | | | |
|---|--|---|--|---|-----------------|
| THIS DRAWING IS A CONTROLLED DOCUMENT. | | DWN M.MOCHIZUKI | |  TE Connectivity | |
| DIMENSIONS: mm | | CHK Y.OKAMOTO | | | |
|  | | TOLERANCES UNLESS OTHERWISE SPECIFIED: 0 PLC ± - 1 PLC ± - 2 PLC ± - 3 PLC ± - 4 PLC ± - ANGLES ± - | | NAME | |
| MATERIAL | | FINISH | | APVD A.NAGAI PRODUCT SPEC APPLICATION SPEC WEIGHT | |
| | | | | PCN-D3M** CUSTOMER DRAWING | |
| | | CUSTOMER DRAWING | | SIZE A3 | CAGE CODE 00779 |
| | | | | DRAWING NO C-1461491 | RESTRICTED TO |
| | | | | SCALE 5:1 | SHEET 2 of 3 |
| | | | | REV G | |

THIS DRAWING IS UNPUBLISHED. RELEASED FOR PUBLICATION
 © COPYRIGHT - By TE CONNECTIVITY ALL RIGHTS RESERVED.

| | | | | |
|-----|------|-----------|-----|-------------|
| LOC | DIST | REVISIONS | | |
| HB | - | P | LTR | DESCRIPTION |
| | | - | | SEE SHEET 1 |
| | | DATE | DWN | APVD |
| | | - | - | - |

| PART B | PART A | DESCRIPTION | TE PART NO | PACKING SPECIFICATION | PRODUCT SPEC | DISCRPTION | No. |
|-----------|--------|--------------|------------------|-----------------------|------------------|------------|-----|
| (C4) (B3) | 24V | PCN-124D3MHZ | PCN-124D3MHZ.001 | 7-1461491-6 | 107-79043 (TRAY) | | |
| (C4) (B3) | 4.5V | PCN-104D3MHZ | PCN-104D3MHZ.001 | 7-1461491-5 | 107-79043 (TRAY) | | |
| | 24V | PCN-124D3MHZ | PCN-124D3MHZ | 7-1461491-4 | 107-79043 (TRAY) | 108-79629 | |
| | 23.5V | PCN-123D3MHZ | PCN-123D3MHZ | 7-1461491-3 | 107-79043 (TRAY) | 108-79628 | |
| | 18V | PCN-118D3MHZ | PCN-118D3MHZ | 7-1461491-2 | 107-79043 (TRAY) | 108-79627 | |
| | 12V | PCN-112D3MHZ | PCN-112D3MHZ | 7-1461491-1 | 107-79043 (TRAY) | 108-79626 | |
| | 9V | PCN-109D3MHZ | PCN-109D3MHZ | 7-1461491-0 | 107-79043 (TRAY) | 108-79625 | |
| | 6V | PCN-106D3MHZ | PCN-106D3MHZ | 6-1461491-9 | 107-79043 (TRAY) | 108-79624 | |
| | 5V | PCN-105D3MHZ | PCN-105D3MHZ | 6-1461491-8 | 107-79043 (TRAY) | 108-79623 | |
| | 4.5V | PCN-104D3MHZ | PCN-104D3MHZ | 6-1461491-7 | 107-79043 (TRAY) | 108-79622 | |
| | 3V | PCN-103D3MHZ | PCN-103D3MHZ | 6-1461491-6 | 107-79043 (TRAY) | 108-79621 | |
| | 24V | PCN-124D3MZ | PCN-124D3MZ | 6-1461491-5 | 107-79043 (TRAY) | 108-79620 | |
| | 23.5V | PCN-123D3MZ | PCN-123D3MZ | 6-1461491-4 | 107-79043 (TRAY) | 108-79619 | |
| | 18V | PCN-118D3MZ | PCN-118D3MZ | 6-1461491-3 | 107-79043 (TRAY) | 108-79618 | |
| | 12V | PCN-112D3MZ | PCN-112D3MZ | 6-1461491-2 | 107-79043 (TRAY) | 108-79617 | |
| | 9V | PCN-109D3MZ | PCN-109D3MZ | 6-1461491-1 | 107-79043 (TRAY) | 108-79616 | |
| | 6V | PCN-106D3MZ | PCN-106D3MZ | 6-1461491-0 | 107-79043 (TRAY) | 108-79615 | |
| | 5V | PCN-105D3MZ | PCN-105D3MZ | 5-1461491-9 | 107-79043 (TRAY) | 108-79614 | |
| | 4.5V | PCN-104D3MZ | PCN-104D3MZ | 5-1461491-8 | 107-79043 (TRAY) | 108-79613 | |
| | 3V | PCN-103D3MZ | PCN-103D3MZ | 5-1461491-7 | 107-79043 (TRAY) | 108-79612 | |

REINFORCED
INSURATION
WASHABLE
TYPE

REINFORCED
INSURATION
PLASTIC SEALED
TYPE

| | | | | | | | |
|-------|-------------|-------------|-------------|------------------|-----------|--|--|
| 24V | PCN-124D3MH | PCN-124D3MH | 5-1461491-6 | 107-79043 (TRAY) | 108-79611 | | |
| 23.5V | PCN-123D3MH | PCN-123D3MH | 5-1461491-5 | 107-79043 (TRAY) | 108-79610 | | |
| 18V | PCN-118D3MH | PCN-118D3MH | 5-1461491-4 | 107-79043 (TRAY) | 108-79609 | | |
| 12V | PCN-112D3MH | PCN-112D3MH | 5-1461491-3 | 107-79043 (TRAY) | 108-79608 | | |
| 9V | PCN-109D3MH | PCN-109D3MH | 5-1461491-2 | 107-79043 (TRAY) | 108-79607 | | |
| 6V | PCN-106D3MH | PCN-106D3MH | 5-1461491-1 | 107-79043 (TRAY) | 108-79606 | | |
| 5V | PCN-105D3MH | PCN-105D3MH | 5-1461491-0 | 107-79043 (TRAY) | 108-79605 | | |
| 4.5V | PCN-104D3MH | PCN-104D3MH | 4-1461491-9 | 107-79043 (TRAY) | 108-79604 | | |
| 3V | PCN-103D3MH | PCN-103D3MH | 4-1461491-8 | 107-79043 (TRAY) | 108-79603 | | |
| 24V | PCN-124D3M | PCN-124D3M | 4-1461491-7 | 107-79043 (TRAY) | 108-79602 | | |
| 23.5V | PCN-123D3M | PCN-123D3M | 4-1461491-6 | 107-79043 (TRAY) | 108-79601 | | |
| 18V | PCN-118D3M | PCN-118D3M | 4-1461491-5 | 107-79043 (TRAY) | 108-79600 | | |
| 12V | PCN-112D3M | PCN-112D3M | 4-1461491-4 | 107-79043 (TRAY) | 108-79599 | | |
| 9V | PCN-109D3M | PCN-109D3M | 4-1461491-3 | 107-79043 (TRAY) | 108-79598 | | |
| 6V | PCN-106D3M | PCN-106D3M | 4-1461491-2 | 107-79043 (TRAY) | 108-79597 | | |
| 5V | PCN-105D3M | PCN-105D3M | 4-1461491-1 | 107-79043 (TRAY) | 108-79596 | | |
| 4.5V | PCN-104D3M | PCN-104D3M | 4-1461491-0 | 107-79043 (TRAY) | 108-79595 | | |
| 3V | PCN-103D3M | PCN-103D3M | 3-1461491-9 | 107-79043 (TRAY) | 108-79594 | | |

STANDARD
INSURATION
WASHABLE
TYPE

STANDARD
INSURATION
PLASTIC SEALED
TYPE

| ITEM | DESCRIPTION |
|------|---------------------|
| 15 | UV RESIN |
| 14 | CASE (NATURAL) |
| 14 | CASE (BLACK) |
| 13 | EPOXY |
| 12 | MAGNETIC WIRE |
| 11 | CARD (NATURAL) |
| 11 | CARD (BLACK) |
| 10 | ARMATURE |
| 9 | STATIONARY CONTACT |
| 8 | STATIONARY TERMINAL |
| 7 | MOVABLE CONTACT |
| 6 | MOVABLE TERMINAL |
| 5 | BASE (NATURAL) |
| 5 | BASE (BLACK) |
| 4 | CORE |
| 3 | COIL TERMINAL B |
| 2 | COIL TERMINAL A |
| 1 | BOBBIN (BLACK ONLY) |

PARTS LIST

(B3) (B1)

MOLD COLOR

NATURAL: REINFORCED INSURATION MODEL
 強化絶縁品 (IEC1131-2 Conformed)
 BLACK: BASIC INSURATION MODEL
 基礎絶縁品 (IEC1131-2 Conformed)

(B3) (B1)

THIS DRAWING IS A CONTROLLED DOCUMENT.

DIMENSIONS:
mm



MATERIAL: - FINISH: -

TOLERANCES UNLESS OTHERWISE SPECIFIED:
 0 PLC ± -
 1 PLC ± -
 2 PLC ± -
 3 PLC ± -
 4 PLC ± -
 ANGLES ± -

| | |
|------------------|-------------|
| DWN | M.MOCHIZUKI |
| CHK | Y.OKAMOTO |
| APVD | A.NAGAI |
| PRODUCT SPEC | - |
| APPLICATION SPEC | - |
| WEIGHT | - |
| CUSTOMER DRAWING | |

| | |
|----------------------------|---------------|
| TE Connectivity | |
| NAME | |
| PCN-D3M** CUSTOMER DRAWING | |
| SIZE | CAGE CODE |
| A3 | 00779 |
| DRAWING NO | RESTRICTED TO |
| C=1461491 | - |
| SCALE | SHEET |
| 5:1 | 3 of 3 |
| REV | G |