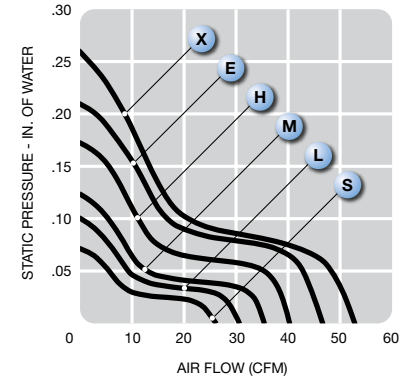
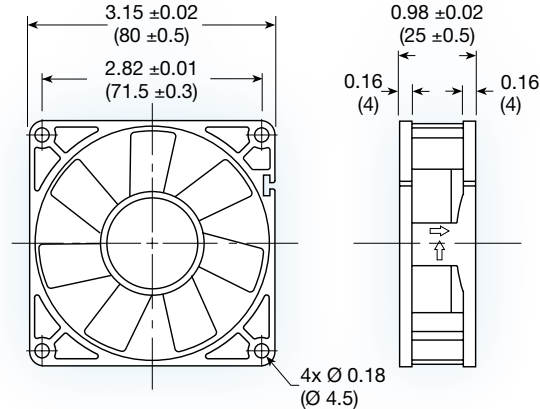


# F8025-H series



**(80 x 80 x 25 mm)**  
3.15 x 3.15 x 0.98 inches

Construction: UL94V-0 PBT impeller & frame

Bearing option: ball bearing or sleeve

Connection: AWG 24, UL1007 lead wires

Frame: flanged or ribbed

Protection: thermal

Options: tachometer output or locked rotor alarm signal; thermistor speed control; encapsulated motor; PWM speed control

Model No.	Rated Voltage V	Current mA		Speed RPM	Air Volume		Max. Static Pressure (H <sub>2</sub> O)		Sound Noise dB <sub>A</sub>	Weight g
		12	24		M <sup>3</sup> /Min.	CFM	MM	INCH		
F8025S-H	12/24	75	50	2,000	0.73	26	1.75	0.07	22	82
F8025L-H	12/24	90	60	2,400	0.87	31	2.50	0.10	26	82
F8025M-H	12/24	120	80	2,800	0.99	35	3.00	0.12	29	82
F8025H-H	12/24	145	90	3,200	1.13	40	4.25	0.17	32	82
F8025E-H	12/24	240	140	3,600	1.30	46	5.25	0.21	35	82
F8025X-H	12/24	480	260	4,200	1.50	53	6.50	0.26	39	82