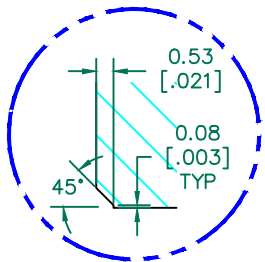


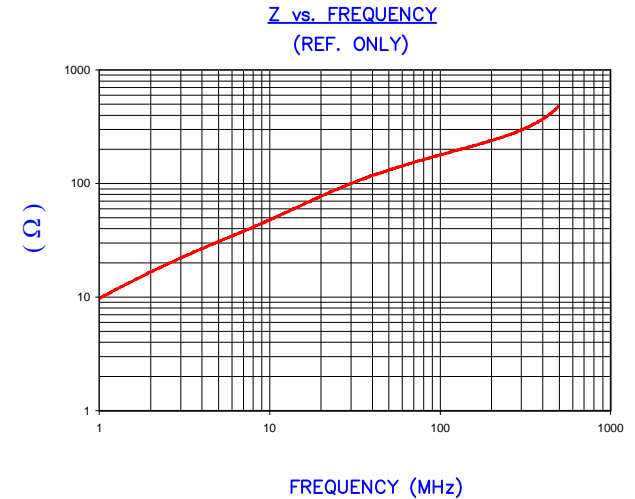
SEE DETAIL "A"



DETAIL "A"
CHAMFER
SCALE=3:1

UNCONTROLLED DOCUMENT

IMPEDANCE (Z)			
Frequency	25 MHz	100 MHz	300 MHz
Nominal (REF)	92 Ω	186 Ω	292 Ω
Minimum	- Ω	149 Ω	- Ω



AGILENT E4991A Impedance/Material Analyzer
HP 16092A Test Fixture

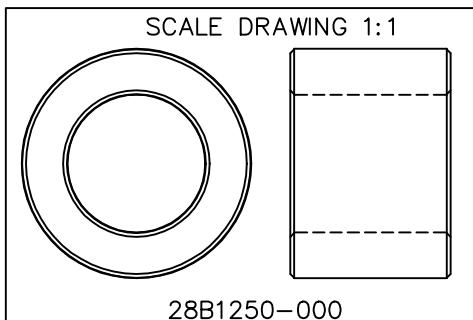
FERRITE CORE DIMENSIONS (SPEC): mm/inches

A	31.75 [1.250]	±	0.61 [.024]
B	19.05 [.750]	±	0.41 [.016]
C	22.22 [.875]	±	0.51 [.020]

WEIGHT/1000 55.46 kgs [122.26 Lbs]

NOTES: UNLESS OTHERWISE SPECIFIED

1. COSMETIC SPECIFICATION REFER TO WI-QA-038.



DIMENSIONS ARE IN mm [INCHES].				This print is the property of Laird Tech. and is loaned in confidence subject to return upon request and with the understanding that no copies shall be made without the written consent of Laird Tech. All rights to design or invention are reserved.		Laird	
F	UPDATE COMPANY LOGO	05/21/15	QIU	PROJECT/PART NUMBER:		REV	DRAWN BY:
E	UPDATE FORMAT, Z SPECS & CURVE	07/23/03	JRK	28B1250-000		F	LNK
D	CHANGE P/N AND REM COATING SPECS, UPDATE FORMAT AND Z SPECS	11/11/02	JRK	DATE:	12/28/92	SCALE:	1.5:1
C	CHG P/N TO 00*, ADD COATING SPECS	03/24/99	IS	CAD #	28B1250-000-F	TOOL #	B1250
B	UPDATED P/N FOR NEW CATALOG	10/31/95	JBE	MATERIAL:		FERRITE	
A	ORIGINAL DRAFT	12/28/92	LNK				
REV	DESCRIPTION	DATE	INT				