

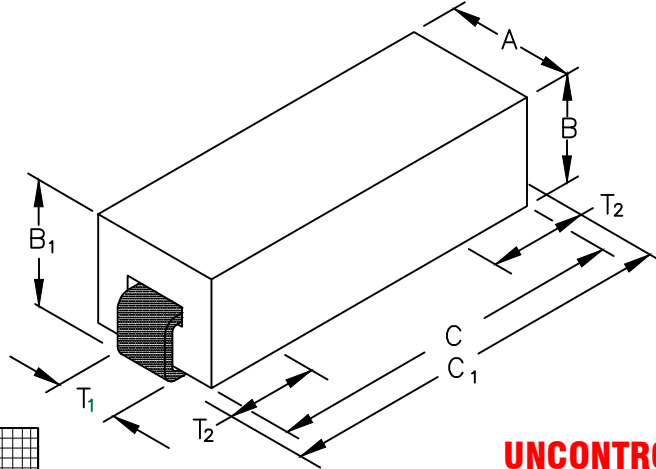
PHYSICAL DIMENSIONS:

- A 3.05 [.120] ± 0.08 [.003]
- B 2.54 [.100] ± 0.08 [.003]
- B₁ 3.05 [.120] ± MAX
- C 8.51 [.335] ± 0.23 [.009]
- C₁ 9.53 [.375] ± MAX

WIRE DIMENSIONS:

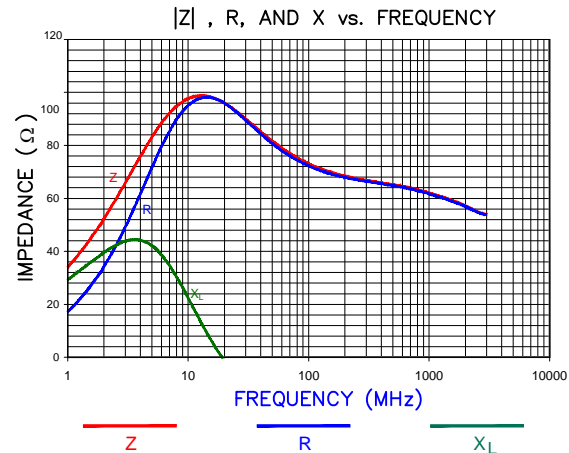
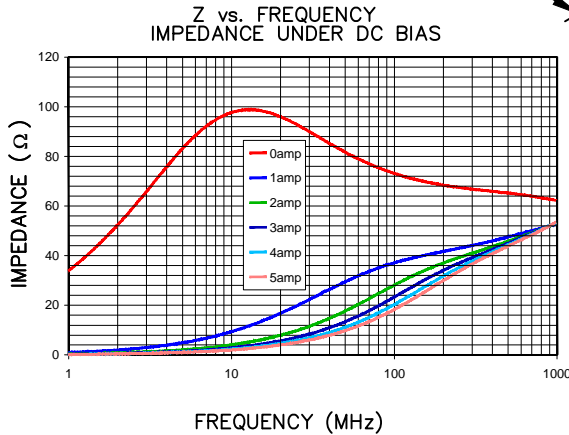
- T₁ 1.27 [.050] ± REF.
- T₂ 1.52 [.060] ± 0.51 [.020]

35F0121-1SR-10



ELECTRICAL CHARACTERISTICS:				
	Z (Ω) @		DCR (Ω)	Rated Current
	1 MHz	10 MHz		
Nominal	-	90		
Minimum	30	72		
Maximum	-	-	.001	10,000 mA

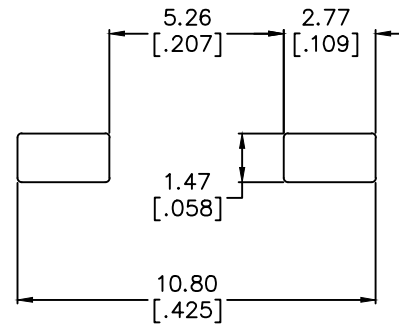
- NOTES: UNLESS OTHERWISE SPECIFIED
1. TAPED AND REELED per CURRENT EIA SPECS 13" REELS, 2500 PCS/REEL.
 2. COMPONENTS SHOULD BE ADEQUATELY PREHEATED BEFORE SOLDERING.
 3. REF. CARRIER TAPE SPECIFICATION # CART121-13.
 4. TERMINATION FINISH IS 100% TIN.



AGILENT E4991A RF Impedance/Material Analyzer
HP 16194A Test Fixture. TEST REF. 3544

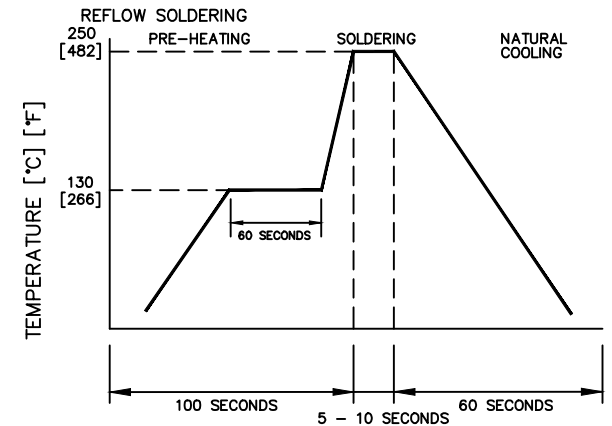
UNCONTROLLED DOCUMENT

LAND PATTERNS FOR REFLOW SOLDERING



(For wave soldering, add 0.762 [.030] to this dimension.)

RECOMMENDED SOLDERING CONDITIONS



DIMENSIONS ARE IN mm (INCHES).				This print is the property of Laird Tech. and is loaned in confidence subject to return upon request and with the understanding that no copies shall be made without the written consent of Laird Tech. All rights to design or invention are reserved.			
F	UPDATE LOGO	04/23/15	QIU				
E	UPDATE COMPANY LOGO	01/23/09	JRK				
D	CORRECT FREQUENCY ON SHT 2of3 CORRECT C TOLS ON SHEET 3	10/16/07	JRK				
C	UPDATE LANDPATTERN	08/09/07	JRK				
B	ADD ROHS SYMBOL UPDATE LOGO	5/04/07	JRK				
A	ORIGINAL DRAFT	5/26/04	JRK	PROJECT/PART NUMBER: 35F0121-1SR-10	REV	PART TYPE:	DRAWN BY:
REV	DESCRIPTION	DATE	INT	DATE: 5/26/04	SCALE: 10:1	SHEET: 1 OF 2	
				CAD #	TOOL #		
				35F0121R-1SR-10-F-1	H0121		