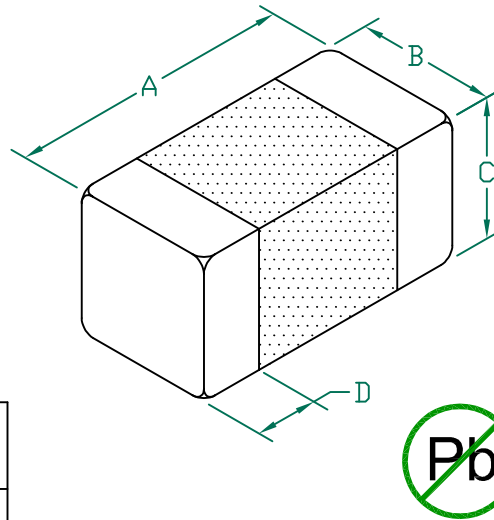


IC0805A103R-10

UNCONTROLLED DOCUMENT

PHYSICAL DIMENSIONS:

A	2.00 [.079]	\pm 0.20[.008]
B	1.25 [.049]	\pm 0.20[.008]
C	1.25 [.049]	\pm 0.20[.008]
D	0.50 [.020]	\pm 0.30[.012]

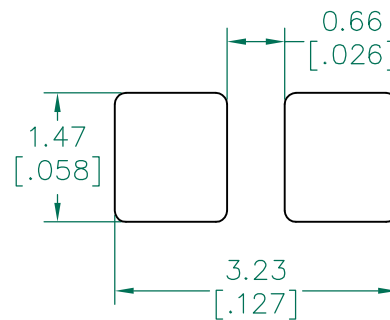


- NOTES: UNLESS OTHERWISE SPECIFIED
1. TAPED AND REELED per CURRENT EIA SPECIFICATIONS 7" REELS, 2000 PCS/REEL, EMBOSSED PLASTIC TAPE.
 2. TERMINATION FINISH IS 100% MATTE Sn OVER Ni.
 3. COMPONENTS SHOULD BE ADEQUATELY PREHEATED BEFORE SOLDERING.
 4. I (MAX.) IS BASED ON THE MAXIMUM SUSTAINED CURRENT APPLIED WHILE MAINTAINING A MAXIMUM TEMPERATURE RISE OF 40°C OVER AMBIENT.
 5. I (OPERATING) IS BASED ON THE MAXIMUM SUSTAINED CURRENT APPLIED WHILE MAINTAINING A MINIMUM INDUCTANCE (L).
 6. OPERATING TEMP. RANGE: -40°C~+125°C. (INCLUDING SELF-HEATING)

ELECTRICAL CHARACTERISTICS:

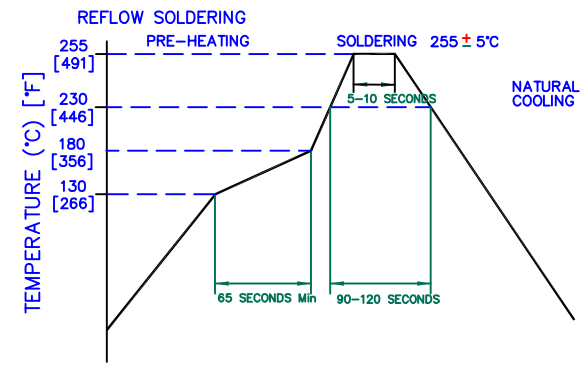
L (nH) \pm 10%	11,000	Max
	10,000	Nom
	9,000	Min @15mA
Q (Min)	45	
Freq. (MHz)	2	
Self-Resonant Freq (MHz)	24	
DCR(Max) Ω	1.15	
I (Max)	100mA	
I (Operating)	15mA	

LAND PATTERNS FOR REFLOW SOLDERING



(For wave soldering, add 0.763 [.030] to this dimension.)

RECOMMENDED SOLDERING CONDITIONS



DIMENSIONS ARE IN mm [INCHES].				This print is the property of Laird Tech. and is loaned in confidence subject to return upon request and with the understanding that no copies shall be made without the written consent of Laird Tech. All rights to design or invention are reserved.			
E	ADD OPERATING TEMPERATURE UPDATE LAIRD LOGO AND REFLOW CURVE	08/05/13	QU				
D	UPDATE COMPANY LOGO	06/17/08	JRK				
C	UPDATE NOTES REVISES ELECT SPECS CHANGE D DIMS AND TOLS	01/16/07	JRK				
B	CHG P/N ADD @15mA TO MIN L & ADD I (OPERATING) TO ELECT BOX UPDATE LANDPATTERN DIMS REV/ADD NOTES	12/29/05	TMB				
A	ORIGINAL DRAFT	04/15/04	JRK				
REV	DESCRIPTION	DATE	INT	PROJECT/PART NUMBER: IC0805A103R-10	REV E	PART TYPE: CO-FIRE	DRAWN BY: JRK
				DATE: 04/15/04	SCALE: NTS	SHEET: 2 of 2	
				CAD # IC0805A103R-10-E	TOOL # -		