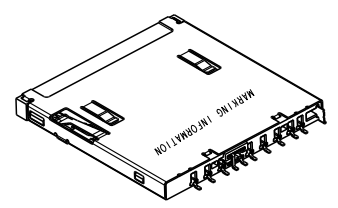
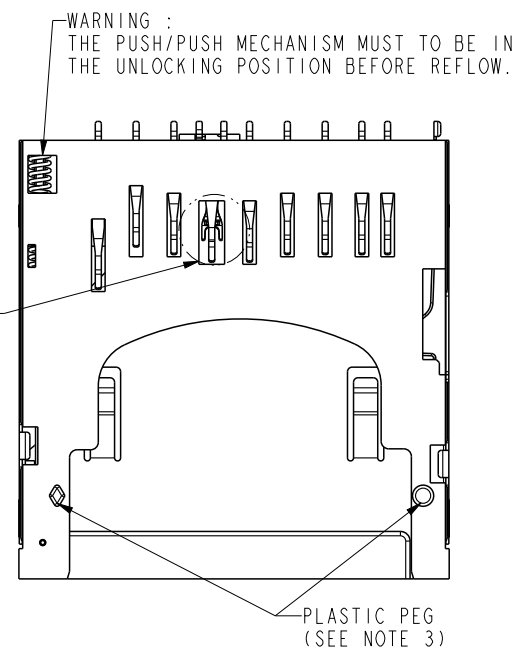
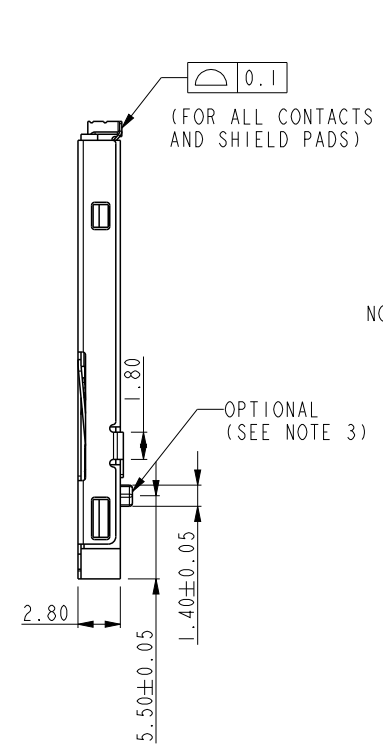
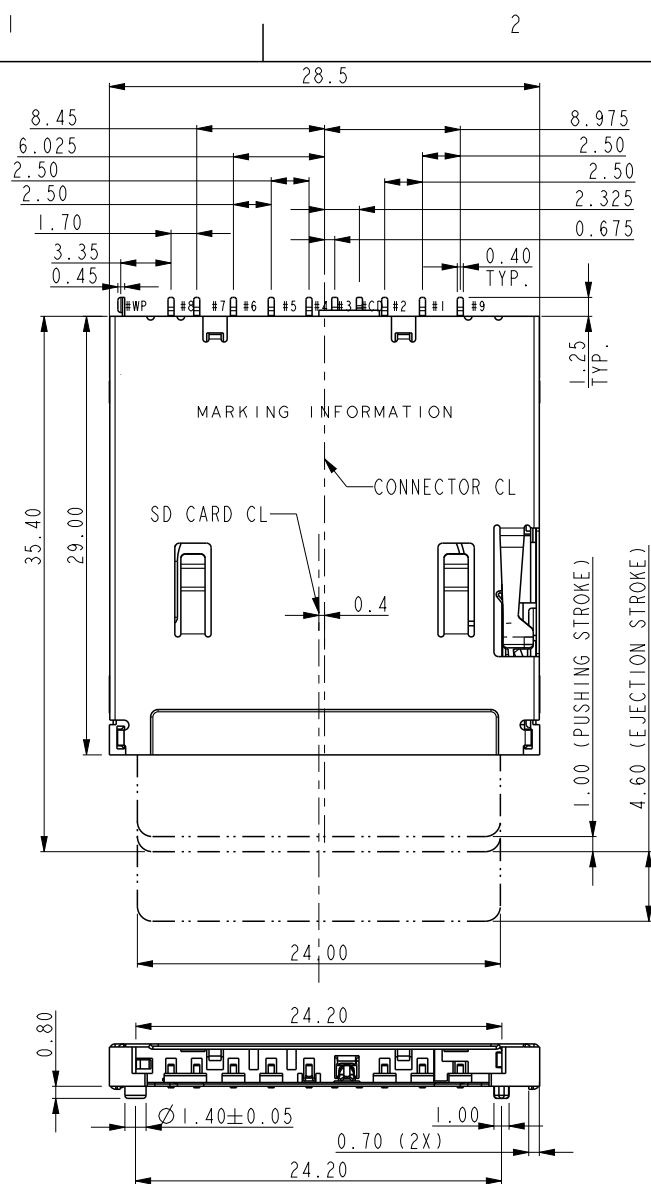




Copyright FCI.



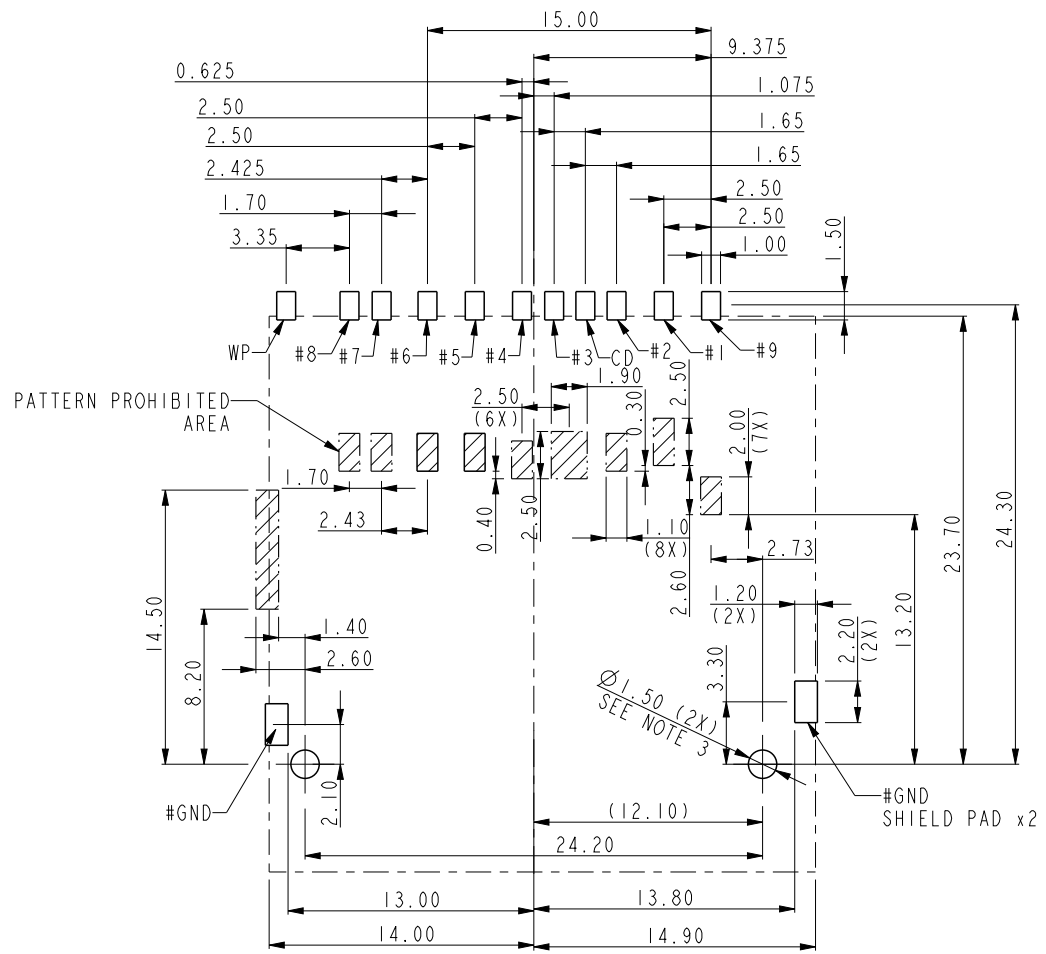
PART NUMBER (NOTE 3)	
10067847-0XXX	10067847-4XXX

spec ref	RELEASED	dr	Bill Lin	2008/09/28	projection	MM	size	A4	scale	1.000	
tolerance std	TOLERANCES UNLESS OTHERWISE SPECIFIED	eng	Henry Guo	2014/09/23			ecn no	ELX-N-18850-1			
ASME Y14.5		chr	-	-	product family			SD	rel level	Released	
surface	✓	appr	Feagle Pan	2014/09/24	title		ASSEMBLY	dwg no	10067847	rev	K
	linear	0.X	±0.30		cat. no.		10067847	Product - Customer Drw		sheet 1 of 3	
		0.XX	±0.20		www.fci.com		STATUS:Released		Printed: Sep 24, 2014		
	angular	0°	±2°								

ProjE File - REV C - 2009-06-09



Copyright FCI.



RECOMMENDED PCB LAYOUT  
(FOR 10067847-0XXXLF)

dr	Bill Lin	2008/09/28	projection 	MM 	size	A4	scale	1.000
eng	Henry Guo	2014/09/23			ecn no	ELX-N-18850-1		
chr	-	-			rel level	Released		
appr	Feagle Pan	2014/09/24	product family		SD			
		title			ASSEMBLY		dwg no	
					SD CARD READER		10067847	
www.fci.com		cat. no.		10067847		Product - Customer Drw		sheet 2 of 3
							rev	
							K	

NOTES:

- 1. MATERIAL
  - HOUSING : HIGH TEMPERATURE THERMOPLASTIC RESIN.
  - CONTACT : COPPER ALLOY
  - SHIELD : STAINLESS.
- 2 PLATING:
  - CONTACT : 50u" NICKEL UNDERPLATED ALL OVER.
  - 100u" MATTE TIN ON SOLDER TAIL AREA.
  - GOLD PLATED ON CONTACT AREA (SEE CONTACT PLATING IN NOTE 3).

3. PART NUMBER DESCRIPTION:

10067847-X X X X X

- LF: LEAD FREE PACKING
- R : TAPE & REEL
- T : TRAY PACKAGING
- CONTACT PLATING :
  - 1: 50u" Au OVER Ni
  - 0: WITH PLASTIC PEG
  - 1: WITHOUT PLASTIC PEG
- BASE HOUSING
  - 0: STANDARD TYPE
  - 4: CUSTOMIZED TYPE

PIN ASSIGNMENT

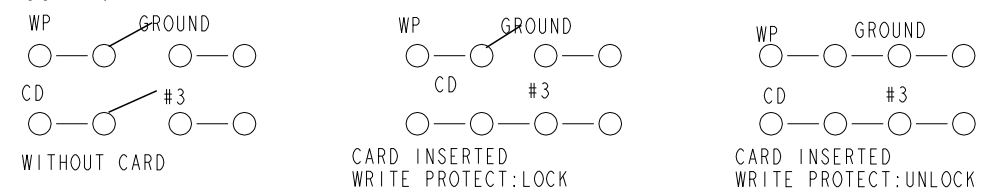
NO.	DESCRIPTION
#1	CD/DAT3
#2	CMD
#3	VSS
#4	VDD
#5	CLK
#6	VSS
#7	DAT0
#8	DAT1
#9	DAT2
#CD	CARD DETECTION
#WP	WRITE PROTECT
#GND	GROUND

4 MARKING INFORMATION

PXXXXXXXXXX

- V2: UD321 LUBRICANT
- V3: UD321 LUBRICANT WITH ENGINEERING CHANGE BASED ON PCN09116.
- PRODUCTION LINE CODE
- DATE CODE THROUGH 01 TO 31
- WEEK NUMBER 01 THROUGH 53
- YEAR CODE: MOST RIGHT OF DIGIT OF PRODUCTION. (e.g. 2008=8)
- MANUFACTURE SITE; 1.FOR NANTONG 2 FOR DONGGUAN
- SOURCE; P FOR CHINA

CIRCUIT :



Copyright FCI.

dr	Bill Lin	2008/09/28	projection 	MM 	size	A4	scale	1.000
eng	Henry Guo	2014/09/23			ecn no	ELX-N-18850-1		
chr	-	-			rel level	Released		
appr	Feagle Pan	2014/09/24	product family	SD		rev	K	
		title	ASSEMBLY SD CARD READER		dwg no	10067847		sheet 3 of 3
www.fci.com		cat. no.	10067847	Product - Customer Drw			sheet 3 of 3	