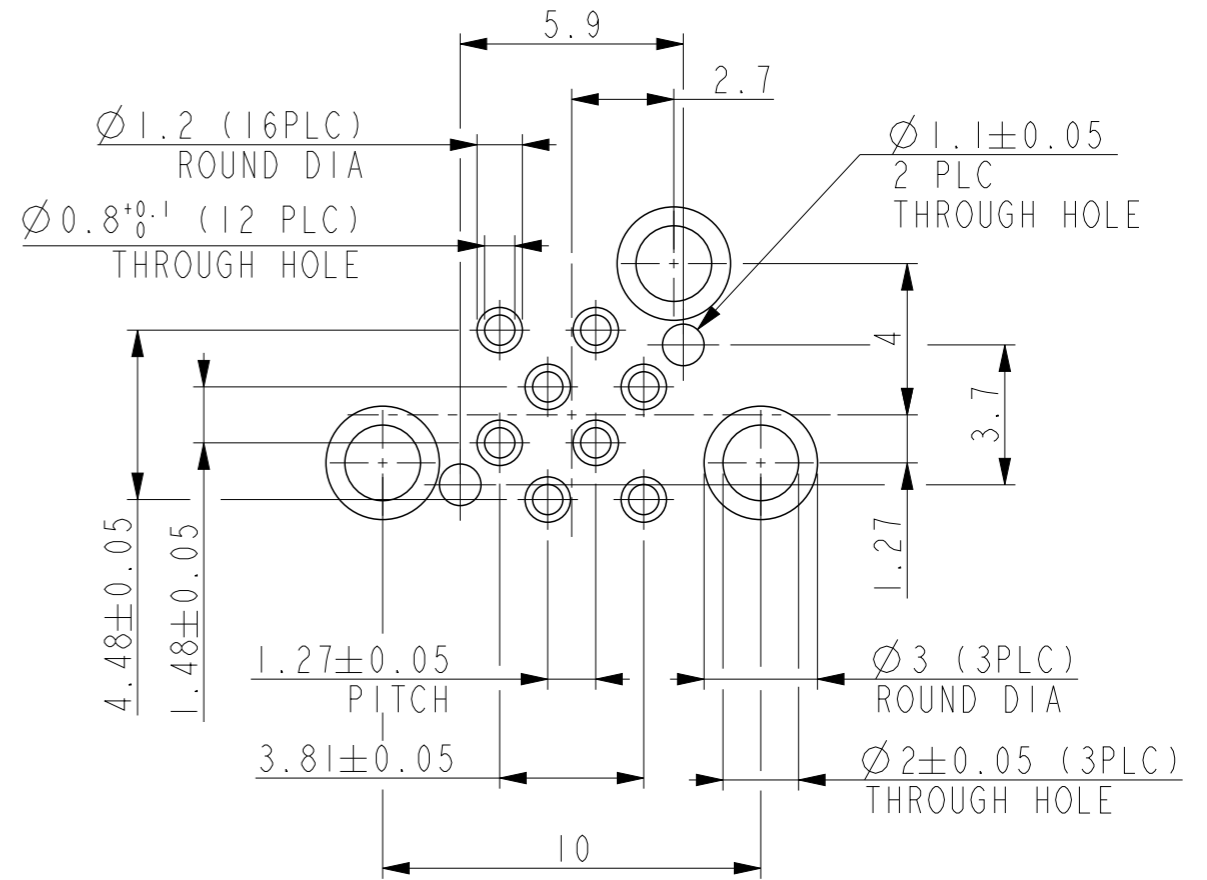


PRODUCT NUMBERING:
 10137849 - 0 0 X 0 LF
 LEAD FREE
 1: TYPE I
 2: TYPE II

NOTES:

- MATERIAL AND FINISH
 CONTACT: COPPER ALLOY
 UNDER ALL SURFACE NICKEL 1.27µm MIN.
 TOP CONTACT AREA : GOLD 0.5µm MIN
 SOLDERING AREA : TIN PLATE.
 HOUSING: THERMO PLASTIC (UL94V-0)
 SHELL: COPPER ALLOY
 UNDER ALL SURFACE NICKEL
 TOP ALL SURFACE TIN
- PACKAGING SPEC GS-14-2538



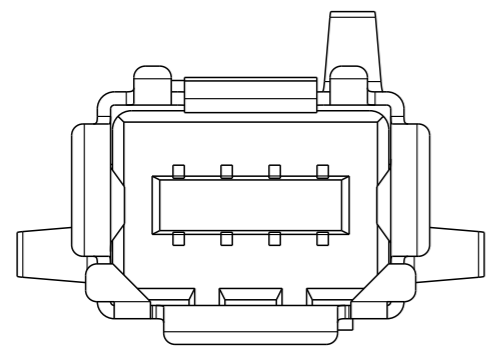
RECOMMENDED BOARD DIMENSION
 t=1.6
 GENERAL TOL. : ±0.1

Amphenol
FCi

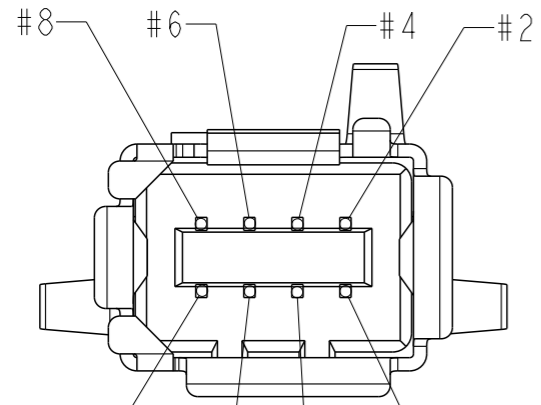
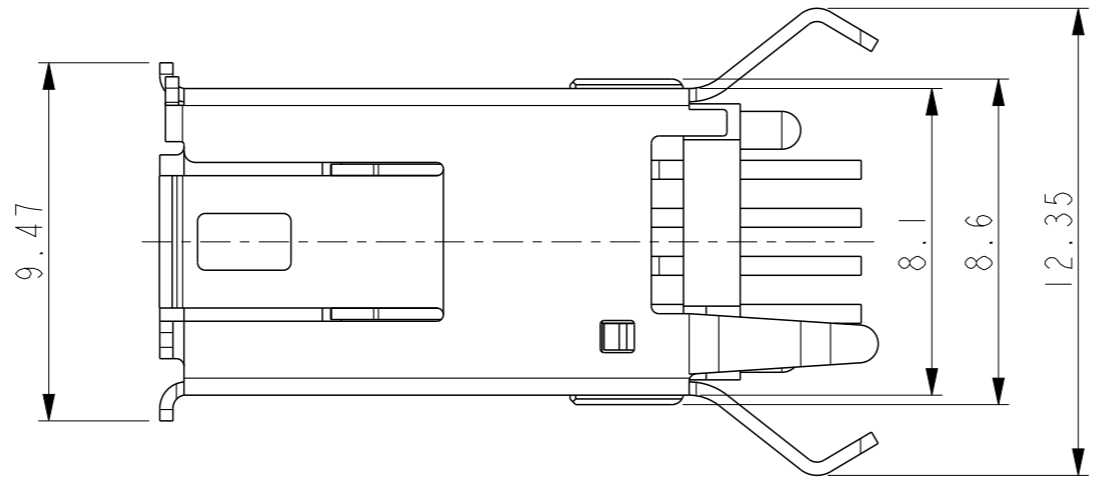
© 2016 AFCI

spec ref	GS-12-1346	dr	A P Sawanth	2016/09/07	projection	mm	size	A3	scale	5:1	
tolerance std	ISO 406 ISO 1101	eng	Mike Zhou	2017/11/13			ecn no	ELX-N-28452-1			
surface	ISO 1302	chr	-	rel level			Released				
		appr	Tim Yao	2017/11/13	product family	-	rel level	Released			
		Amphenol FCi	THR VERTICAL MINI I/O RECEPTACLE			dwg no	10137849			rev	B
			1.27mm PITCH			cat. no.	-	Product - Customer Drw	sheet 1 of 2		

PART NUMBER	DESCRIPTION	POS
10137849-0010LF	TYPE I PIP RECEPTACLE	8
10137849-0020LF	TYPE II PIP RECEPTACLE	8

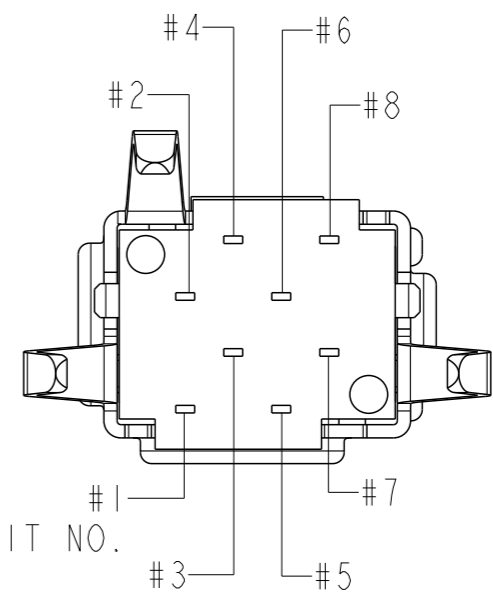
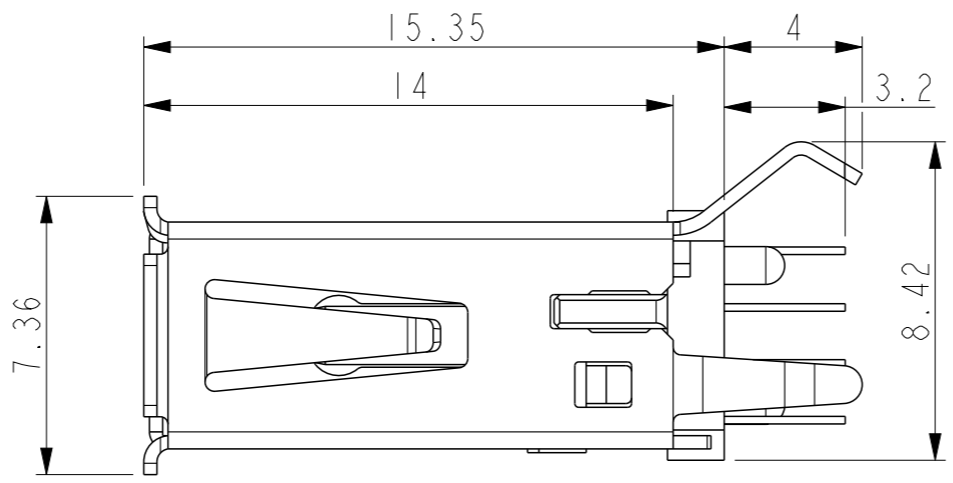


10137849-0020LF
TYPE II

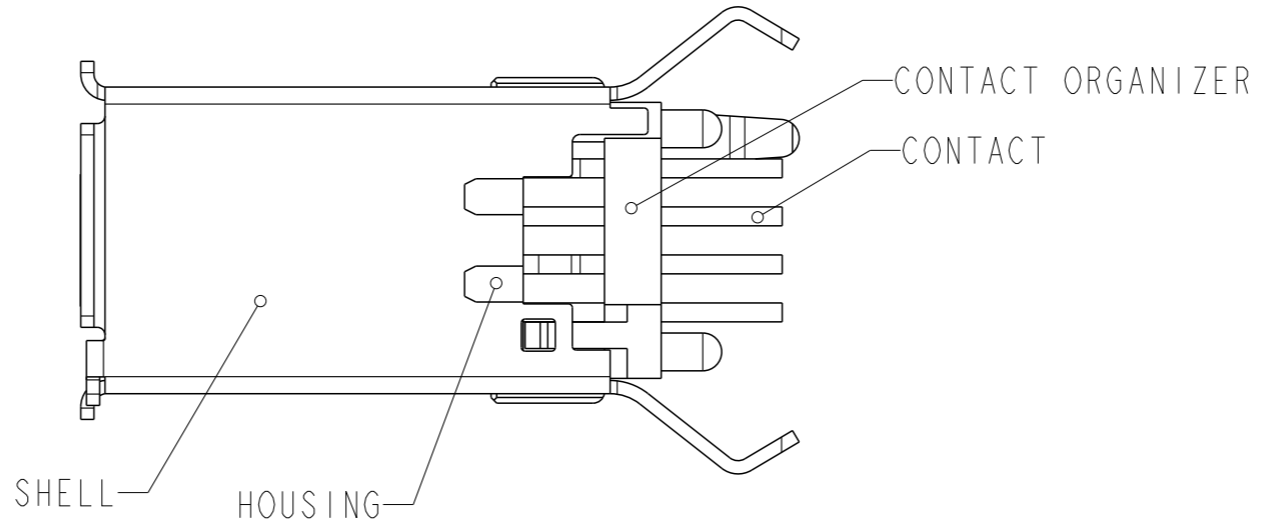


10137849-0010LF
TYPE I

CIRCUIT NO.



CIRCUIT NO.



spec ref	GS-12-1346	dr	A P Sawanth	2016/09/07
tolerance std	ISO 406 ISO 1101	eng	Mike Zhou	2017/11/13
	TOLERANCES UNLESS OTHERWISE SPECIFIED	chr	-	-
		appr	Tim Yao	2017/11/13
surface	linear	0.X	±0.3	
		0.XX	±-	
		0.XXX	±-	
	angular	0°	±5°	

projection	mm	size	A3	scale	5:1
product family		ecn no	ELX-N-28452-1	rel level	Released
Amphenol FCI	THR VERTICAL MINI I/O RECEPTACLE	dwg no	10137849	rev	B
cat. no.		Product - Customer Drw		sheet 2 of 2	

Amphenol FCI

© 2016 AFCI