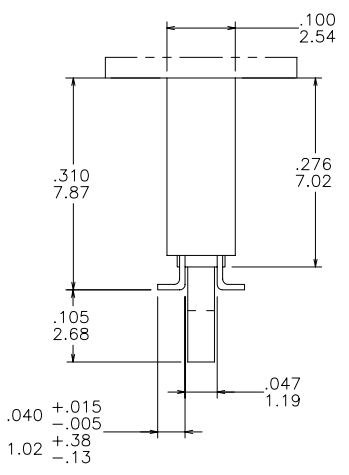
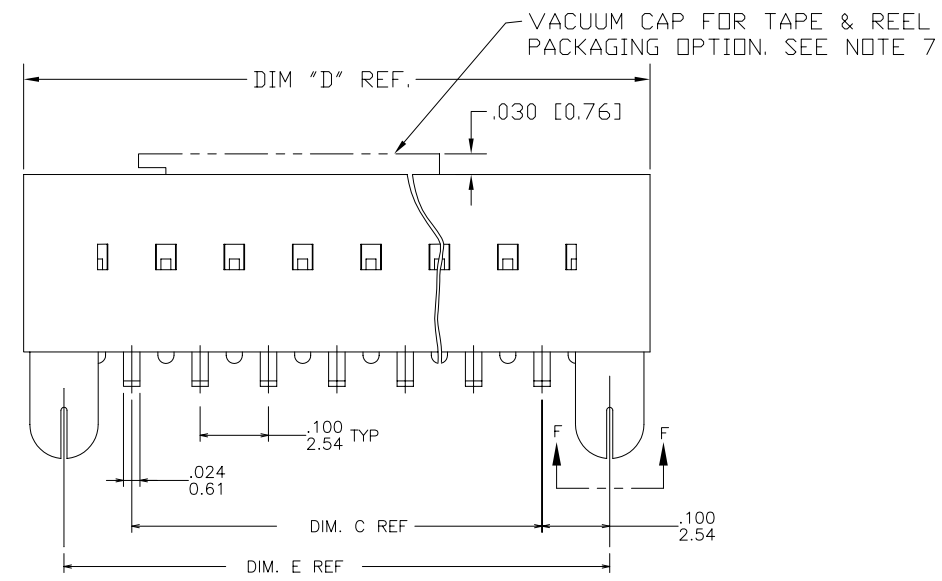
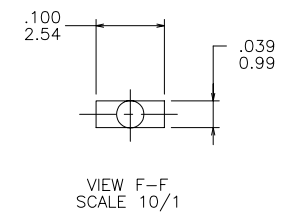
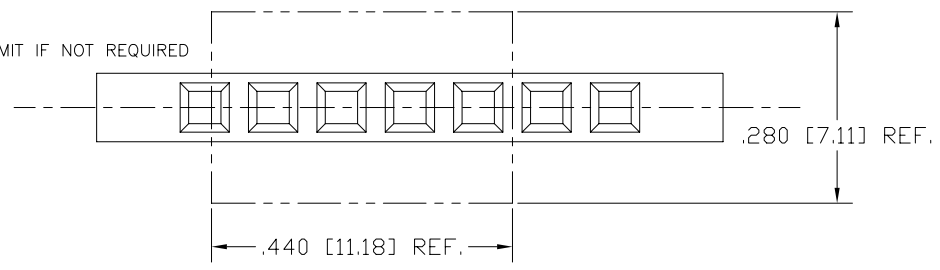


PRODUCT NUMBER  
SEE TABLE  
68617 -XXX- LF

LEAD FREE OPTION  
PACKAGING OPTION NOTE 10. OMIT IF NOT REQUIRED  
NO OF POSITIONS PER ROW  
PLATING CODE  
BASE PART NUMBER



mat'l. code SEE NOTES 1, 3 & 8				surface ISO 1302 ✓		tolerance ISO 406 ISO 1101		projection ⊕		product family DUBOX	
ltr	ecn	no	dr	date	tolerances unless otherwise specified			INCH/MM		title	
R	V20732	GIP		04/17/02	angles	linear	.XX ±.01/0.3			SMT SINGLE ROW LATCHED VCC ASSEMBLY	
S	V21654	GIP		10/15/02			.XXX ±.005/0.13			dwg no	
T	V03-0309	HTB		04/28/03	0°±2'		.XXXX ±.0020/0.051	scale 1:1		sheet 1 of 5 size	
U	V05-0463	DPU		06/28/05	dr	J. SHREINER	10/07/90			68617	
V	M06-0237	MN		06/17/06	enr	M. HAHN	10/07/90			A3	
W	M06-0433	AGS		10/31/06	chr	M. HAHN	10/07/90			type	
X	M07-0198	MHT		4/24/07	appd	M. HAHN	10/07/90			Product Customer Drawing	
sheet index	revision sheet	X	X	X	X	X	X				
		1	2	3	4	5					

PRODUCT NO.  
SEE TABLE

NOTES:

- ① TERMINAL MATERIAL: PHOSPHOR BRONZE.
- 2. RECOMMENDED APPLICATION DATA:
  - A. RECOMMENDED SOLDER PAD PATTERN IS SHOWN IN FIG. A & B.
  - B. ALL MATING PINS TO BE .025/.64 SQUARE ON TRUE CENTER OF GIVEN TERMINAL SPACING WITHIN .015/0.38 DIA.
  - C. SUGGESTED MATING PIN LENGTH .210 ±.020/5.33±0.51.
- ③ HOUSING MATERIAL: FILLED P.P.S. COLOR: BLACK.  
FLAME RETARDANT PER UL-94V-0,  
COMPATIBLE WITH INFRA-RED SOLDERING.  
THIS PART WILL WITHSTAND EXPOSURES TO 260°C  
PEAK TEMPERATURE FOR 20 SECONDS IN WAVE SOLDER,  
INFRA-RED OR VAPOR PHASE SOLDER PROCESS.
- ④ PRESTAMPED POST PLATED TERMINALS.
- ⑤ FCI, FCI FINAL PART NUMBER AND DATE CODE  
TO BE MARKED ON TUBE LABEL.
- 6. STANDARD PACKAGING PER BUS-14-097.
- ⑦ TAPE AND REEL PACKAGING PER GES-14-334.
- ⑧ TAPE AND REEL PACKAGING FOR 24mm WIDTH AND LESS WILL HAVE ONE  
PILOT HOLE ON TAPE, ABOVE 24mm WIDTH TAPE WILL HAVE PILOT HOLES  
ON BOTH SIDES.
- ⑨ VACUUM CAP MATERIAL: LCP  
FLAME RETARDANT PER UL 94V-0.  
VACUUM CAP P/N 71738-001  
COLOR: BLACK
- ⑩ ADD SUFFIX "P" TO PART DASH NUMBER FOR TAPE & REEL PACKAGING.  
EXAMPLE: 68617-XXXP
- ⑪ TAPE & REEL PACKAGING 44mm WIDE TAPE WITH 20mm POCKET PITCH.
- ⑫ TAPE & REEL PACKAGING 56mm WIDE TAPE WITH 20mm POCKET PITCH
- ⑬ ADD LF SUFFIX AT THE END OF PART NUMBER FOR LEAD FREE OPTION.
- 14. THIS PRODUCT MEETS EUROPEAN UNION DIRECTIVES AND OTHER COUNTRY  
REGULATION AS DESCRIBED IN GS-22-008.
- ⑮ PLATING OPTIONS:  
MAY BE EITHER GOLD OR GXT PLATED AT MANUFACTURER'S OPTION.



Copyright FCI

mat'l. code SEE NOTES 1, 3 & 8		surface ISO 1302 ✓	tolerance ISO 406 ISO 1101	projection 	product family DUBOX
ltr	ecn no	dr	date	title SMT SINGLE ROW LATCHED VCC ASSEMBLY	
X				tolerances unless otherwise specified	INCH/MM
				angles linear	scale 1:1
				0'±2'	
				dr J. SHREINER 10/07/90	dwg no sheet2 of 5 size
				enr M. HAHN 10/07/90	68617 A3
				chr M. HAHN 10/07/90	type Product Customer Drawing
				app M. HAHN 10/07/90	
sheet index	revision sheet				

PRODUCT NO NOTE 13	PLATING CONTACT AREA NOTE 15	PLATING SOLDER TAIL	MATERIAL REF.
68617-2XX	15u"/.38u Au OR GXT MIN OVER 50u"/1.27u Ni MIN	100u"/160u" 2.54u"/4.06u" SN	NOTE 3 & 4
68617-3XX	30u"/.76u Au OR GXT MIN OVER 50u"/1.27u Ni MIN	100u"/160u" 2.54u"/4.06u" SN	NOTE 3 & 4
68617-6XX	30u"/.76u Au OR GXT MIN OVER 50u"/1.27u Ni MIN	100u"/160u" 2.54u"/4.06u" SN	NOTE 3 & 4
68617-8XX	30u"/.76u Au MIN OVER 50u"/1.27u Ni MIN	100u"/160u" 2.54u"/4.06u" SN	NOTE 3 & 4

OBSOLETE

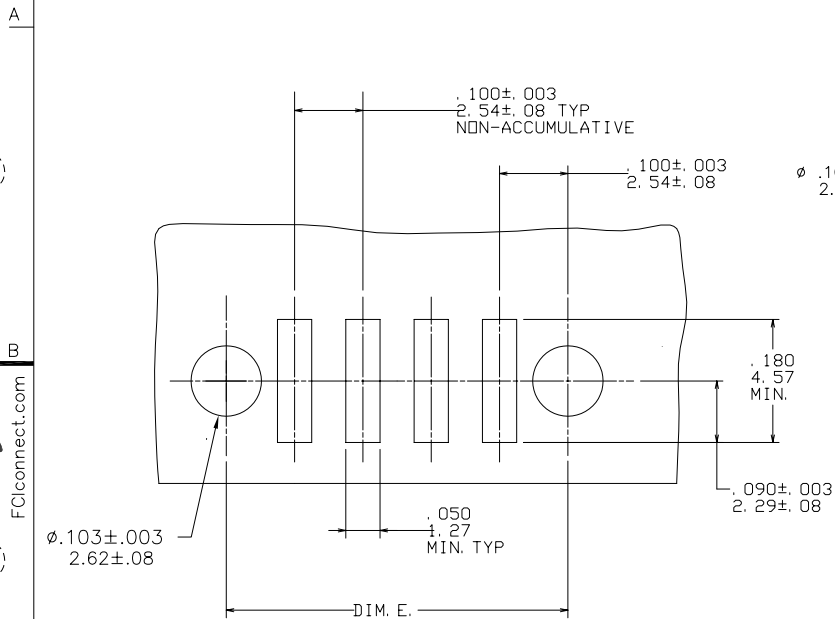


FIGURE A  
TOP ENTRY  
.025/.64 SQ PIN

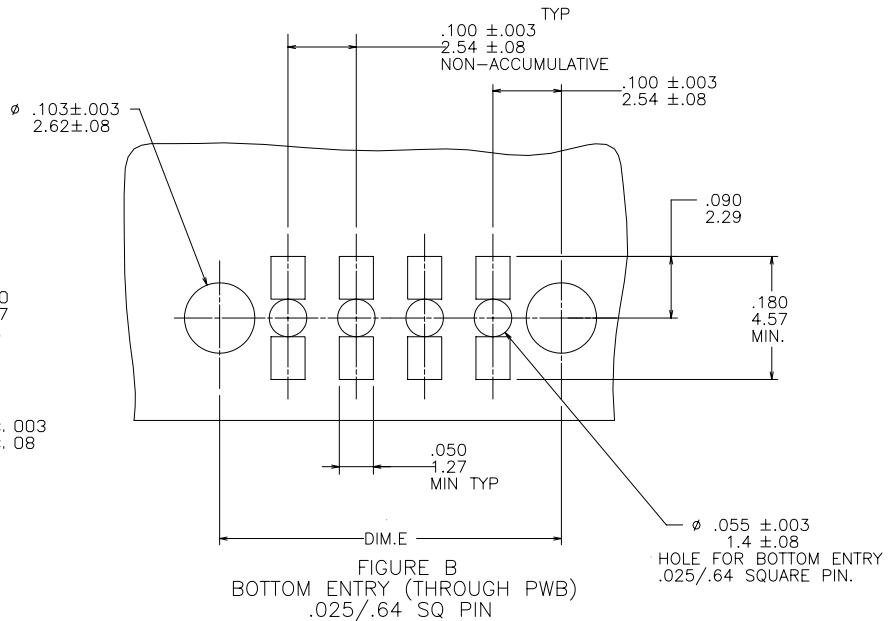
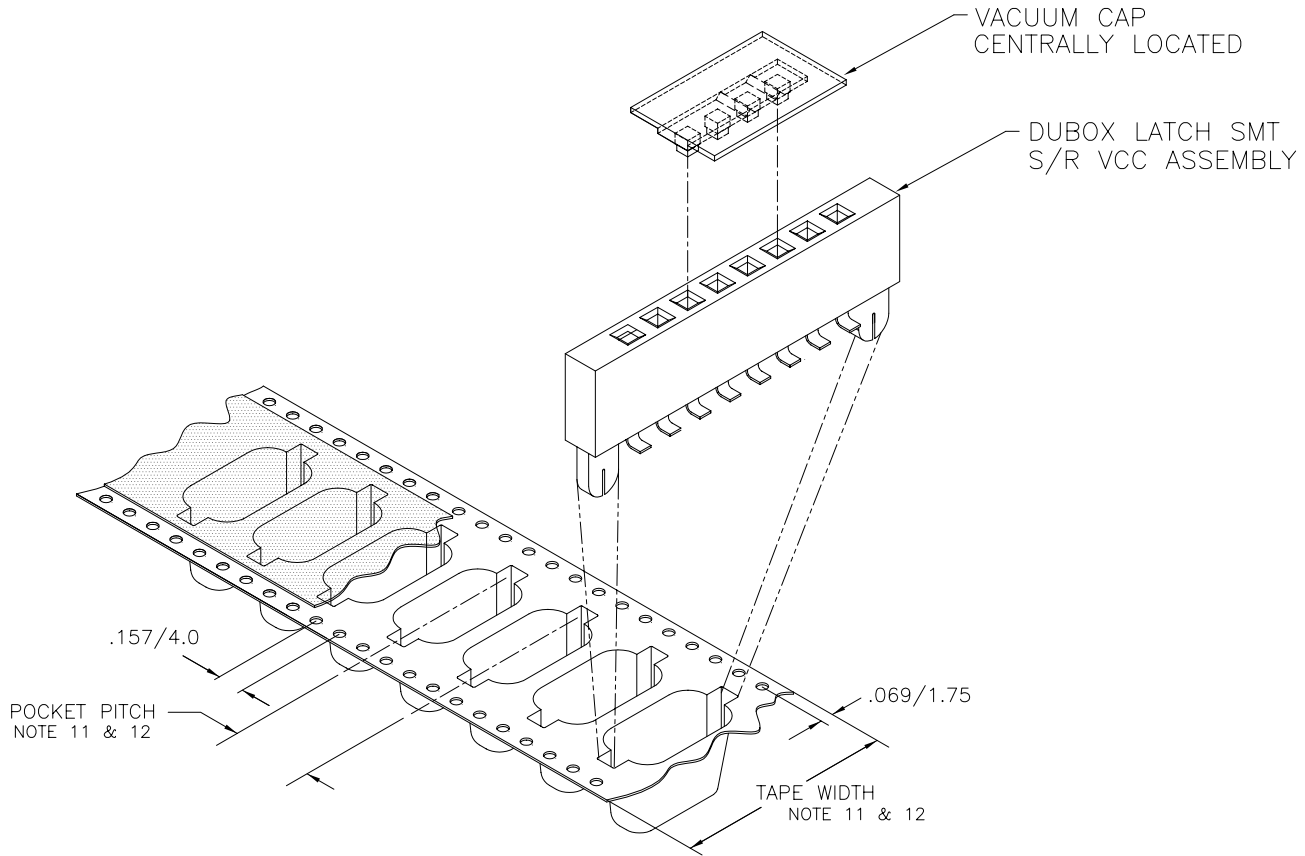


FIGURE B  
BOTTOM ENTRY (THROUGH PWB)  
.025/.64 SQ PIN

FCIconnect.com  
FCI  
Copyright FCI

mat'l. code	surface	tolerance	projection	product family
-	ISO 1302 ✓	ISO 406 ISO 1101		DUBOX
ltr	ecn	no dr	date	title
X				SMT SINGLE ROW LATCHED VCC ASSEMBLY
				dwg no
				68617
				sheet 3 of 5 size
				A3
				type
				Product Customer Drawing
sheet index	revision sheet			

PRODUCT NO.  
SEE TABLE



TAPE AND REEL PACKAGING ONLY

FCI  
FCIconnect.com

Copyright FCI

mat'l. code		surface		tolerance		projection		product family	
-		ISO 1302 ✓		ISO 406 ISO 1101				DUBOX	
ltr		ecn no dr		date		tolerances unless otherwise specified		title	
X						.xx ±.01/0.3 .xxx ±.005/0.13 .xxxx ±.0020/0.051		SMT SINGLE ROW LATCHED VCC ASSEMBLY	
				0°±2'		linear		INCH/MM	
								scale 1:1	
				dr		J. SHREINER		10/07/90	
				enfr		M. HAHN		10/07/90	
				chr		M. HAHN		10/07/90	
				appd		M. HAHN		10/07/90	
sheet		revision							
index		sheet						dwg no 68617 sheet 4 of 5 size A3 type Product Customer Drawing	

form: A3

PRODUCT NO NOTE 13	NO. OF POS.	DIM C	DIM D	DIM E	TAPE & REEL PACKAGING	LF OPTION
68617-Y02	1 X 2	.100/2.54	.417/10.59	.300/7.62	NO	
-Y03	1 X 3	.200/5.08	.517/13.13	.400/10.16	NO	
-Y04	1 X 4	.300/7.62	.617/15.67	.500/12.70	NO	
-Y05	1 X 5	.400/10.16	.717/18.21	.600/15.24	NO	
-Y06	1 X 6	.500/12.70	.817/20.75	.700/17.78	NO	
-Y07	1 X 7	.600/15.24	.917/23.29	.800/20.32	NO	
-Y08	1 X 8	.700/17.78	1.017/25.83	.900/22.86	NO	
-Y09	1 X 9	.800/20.32	1.117/28.37	1.000/25.40	NO	
-Y10	1 X 10	.900/22.86	1.217/30.91	1.100/27.94	NO	
-Y11	1 X 11	1.000/25.40	1.317/33.45	1.200/30.48	NO	
-Y12	1 X 12	1.100/27.94	1.417/35.99	1.300/33.02	NO	
-Y13	1 X 13	1.200/30.48	1.517/38.53	1.400/35.56	NO	
-Y14	1 X 14	1.300/33.02	1.617/41.07	1.500/38.10	NO	
-Y15	1 X 15	1.400/35.56	1.717/43.61	1.600/40.64	NO	
-Y16	1 X 16	1.500/38.10	1.817/46.15	1.700/43.18	NO	
-Y17	1 X 17	1.600/40.64	1.917/48.69	1.800/45.72	NO	
-Y18	1 X 18	1.700/43.18	2.017/51.23	1.900/48.26	NO	
-Y19	1 X 19	1.800/45.72	2.117/53.77	2.000/50.80	NO	
-Y20	1 X 20	1.900/48.26	2.217/56.31	2.100/53.34	NO	
-Y21	1 X 21	2.000/50.80	2.317/58.85	2.200/55.08	NO	
-Y22	1 X 22	2.100/53.34	2.417/61.39	2.300/58.42	NO	
-Y23	1 X 23	2.200/55.88	2.517/63.93	2.400/60.96	NO	
-Y24	1 X 24	2.300/58.42	2.617/66.47	2.500/63.50	NO	
-Y25	1 X 25	2.400/60.96	2.717/69.01	2.600/66.04	NO	
-Y26 THRU -Y50					NO	
-Y07P	1 X 7	.600/15.24	.917/23.29	.800/20.32	YES	
-Y08P	1 X 8	0.700/17.78	1.017/25.83	0.900/22.86	YES	
-Y09P	1 X 9	.800/20.32	1.117/28.37	1.000/25.40	YES	
68617-Y12P	1 X 12	1.100/27.94	1.417/35.99	1.300/33.02	YES	

NOTE 13

OBSOLETE  
NOTE 10 & 11



FCIconnect.com

Copyright FCI

mat'l. code		surface		tolerance		projection		product family	
-		ISO 1302 ✓		ISO 406 ISO 1101				DUBOX	
ltr		ecn no dr		date		tolerances unless otherwise specified		title	
X						.XX ±0.1/0.3 .XXX ±0.05/0.13 .XXXX ±0.020/0.051		SMT SINGLE ROW LATCHED VCC ASSEMBLY	
						INCH/MM scale 1:1		dwg no sheet 5 of 5 size	
								68617 A3	
								type Product Customer Drawing	
sheet index		revision sheet							