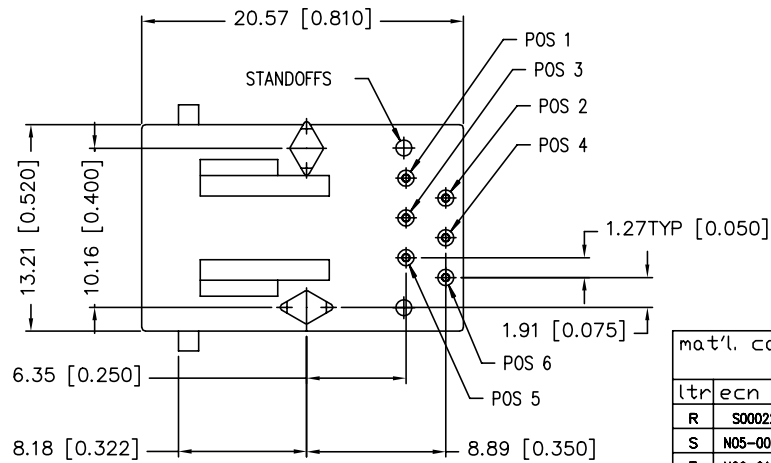
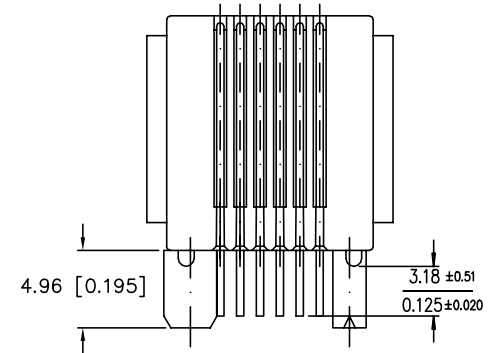
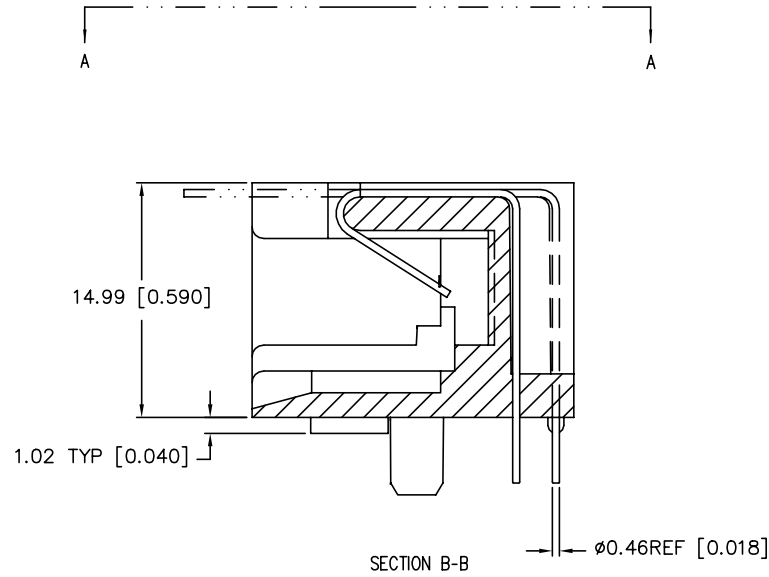
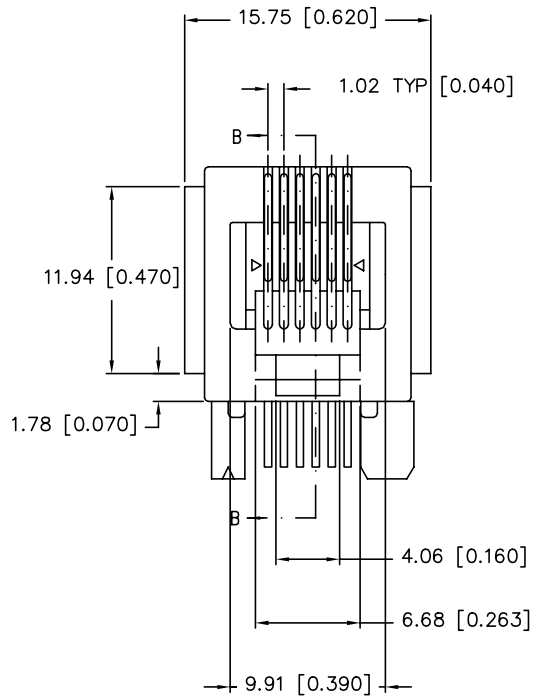
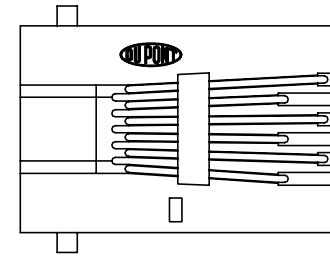


PRODUCT NO.
SEE TABLE



mat'l. code		surface ISO1302 ✓		tolerance ISO1101 ISO406		projection mm		product family MOD JACK	
l trechn nodr		date		tolerances unless otherwise specified		scale 2.0		title	
R	S00022	BC L	01/26/00	angle	0.X±0.3	mm		6 POS HORIZONTAL	
S	N05-0002	YS	01/07/05	radius	0.XX±0.15	mm		P.C.B. MOD JACK ASSY	
T	N06-0130	LONG	5/15/06	0°±2'	0.XXX±0.05	mm		sheet 1 of 2	
U	N08-0097	SH MNO	5/10/08	dr	JANET	01/26/00	size		
V	ELX-N-010699	SH MNO	03/14/12	engr	TONY CHIEN	01/26/00	A4		
				chr	TONY CHIEN	01/26/00	68898		
				appd	JENN TSAO	01/26/00	type Product Customer Drawing		
sheet	revision	v	v						
index	sheet	1	2						

PRODUCT NO. (NOTE 1)	POSITIONS LOADED	CONTACT PLATING	HOUSING COLOR	EARS	REMARKS
68898-001/-001LF	ALL	5u" Au + high performance lubricant @ TM	BLACK	YES	-
68898-001R/-001RLF	ALL	5u" Au + high performance lubricant @ TM	RED	YES	-
68898-001G/-001GLF	ALL	5u" Au + high performance lubricant @ TM	GREEN	YES	-
-002/-002LF	2,3,4,5	5u" Au + high performance lubricant @ TM	BLACK	YES	-
-003/-003LF	3,4	5u" Au + high performance lubricant	BLACK	YES	-
-004/-004LF	2,3,4,5	5u" Au + high performance lubricant	BLACK	YES	-
-005/-005LF	ALL	5u" Au + high performance lubricant	BLACK	YES	-
-006/-006LF	3,4	5u" Au + high performance lubricant @ TM	BLACK	YES	-
-007	2,3,4,5	GXT @ TM	GRAY	YES	OBSOLETE
-008/-008LF	ALL	5u" Au + high performance lubricant	BLACK	NO	-
-009/-009LF	2,3,4,5	1,27um /50u" GXT	BLACK	YES	-
-010/-010LF	ALL	1,27um /50u" GXT	BLACK	YES	-
-011/-011LF	2,3,4,5	2u" GXT	BLACK	YES	-
-012/-012LF	2,3,4,5	6u" GXT	BLACK	YES	-
-013/-013LF	ALL	5u" Au + high performance lubricant @ TM	BLACK	YES	HI TEMP MATERIAL
-014/-014LF	3,4	6u" GXT	BLACK	YES	-
-015/-015LF	3,4	5u" Au + high performance lubricant @ TM	BLACK	NO	-
-016/-016LF	2,3,4,5	5u" Au + high performance lubricant @ TM	BLACK	NO	-
-017LF	ALL	5u" Au + high performance lubricant @ TM	BLACK	YES	-



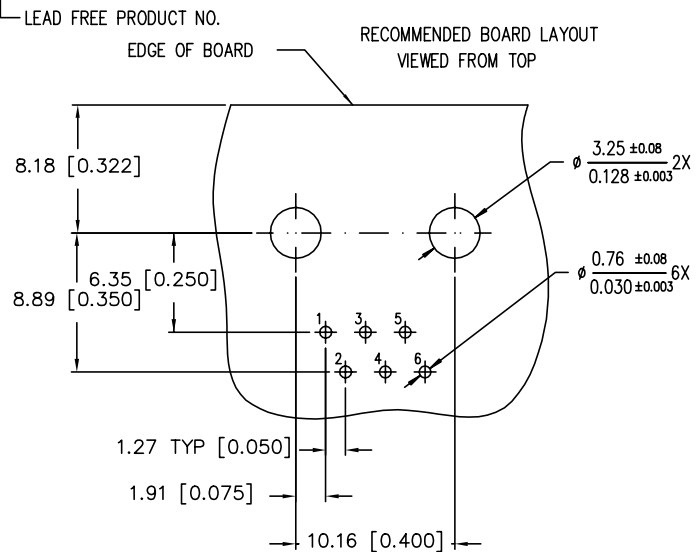
VIEW A-A

NOTES :

- WHEN PRODUCT CALLS FOR PACKAGING IN TRAY ORDER THE PRODUCT WITH PART NUMBER 68898-XXXT OR -XXXTLF FOR PACKAGING IDENTIFICATION. FOR PRODUCT NUMBER WITHOUT SUFFIX "T" OR "TLF", THE PRODUCT WILL BE PACKED IN TUBE AS PER DUPONT STANDARD PACKAGING.
- THIS PRODUCT MEETS EUROPEAN UNION DIRECTIVES AND OTHER COUNTRY REGULATIONS AS DESCRIBED IN GS-22-008.
- IF LF P/N PACKAGING MEETS GS-14-920 SPECIFICATION.
- THE HOUSING WILL WITHSTAND EXPOSURE TO 260°C PEAK TEMPERATURE FOR 10 SECONDS IN A WAVE SOLDER APPLICATION WITH A 1.60mm MINIMUM THICK CIRCUIT BOARD.
- FOR 68898-013/013LF THE HOUSING WILL WITHSTAND EXPOSURE TO 260°C PEAK TEMPERATURE FOR 10 SECONDS IN A CONVECTION, INFRA-RED OR VAPOR PHASE REFLOW OVEN.
- EQUIVALENT THICKNESS Au AND GXT PLATING HAVE SAME FUNCTION AND THEY ARE ALTERNATIVE BY THE CUSTOMER .

A

A



B

mat'l. code	surface ISO1302	tolerance ISO1101 ISO406	projection ISO 1101	product family MOD JACK
l trechn nodr	date	tolerances unless otherwise specified	mm	6 POS HORIZONTAL P.C.B. MOD JACK ASSY
R S00022 BC L	01/26/00	0.X±0.3	scale 2.0	dwg no
S N05-0002 YS	01/07/05	0.XX±0.15		sheet 2 of 2
T N06-0130 LONG	5/15/06	0.XXX±0.05		size
U N08-0097 SH MNO	5/10/08			68898 A4
V ELX-N-010693 SH MNO	03/14/12			type Product Customer Drawing
	dr JANET	01/26/00		
	engr TONY CHIEN	01/26/00		
	chr TONY CHIEN	01/26/00		
	appd JENN TSAO	01/26/00		
sheet	revision			
index	sheet			

B