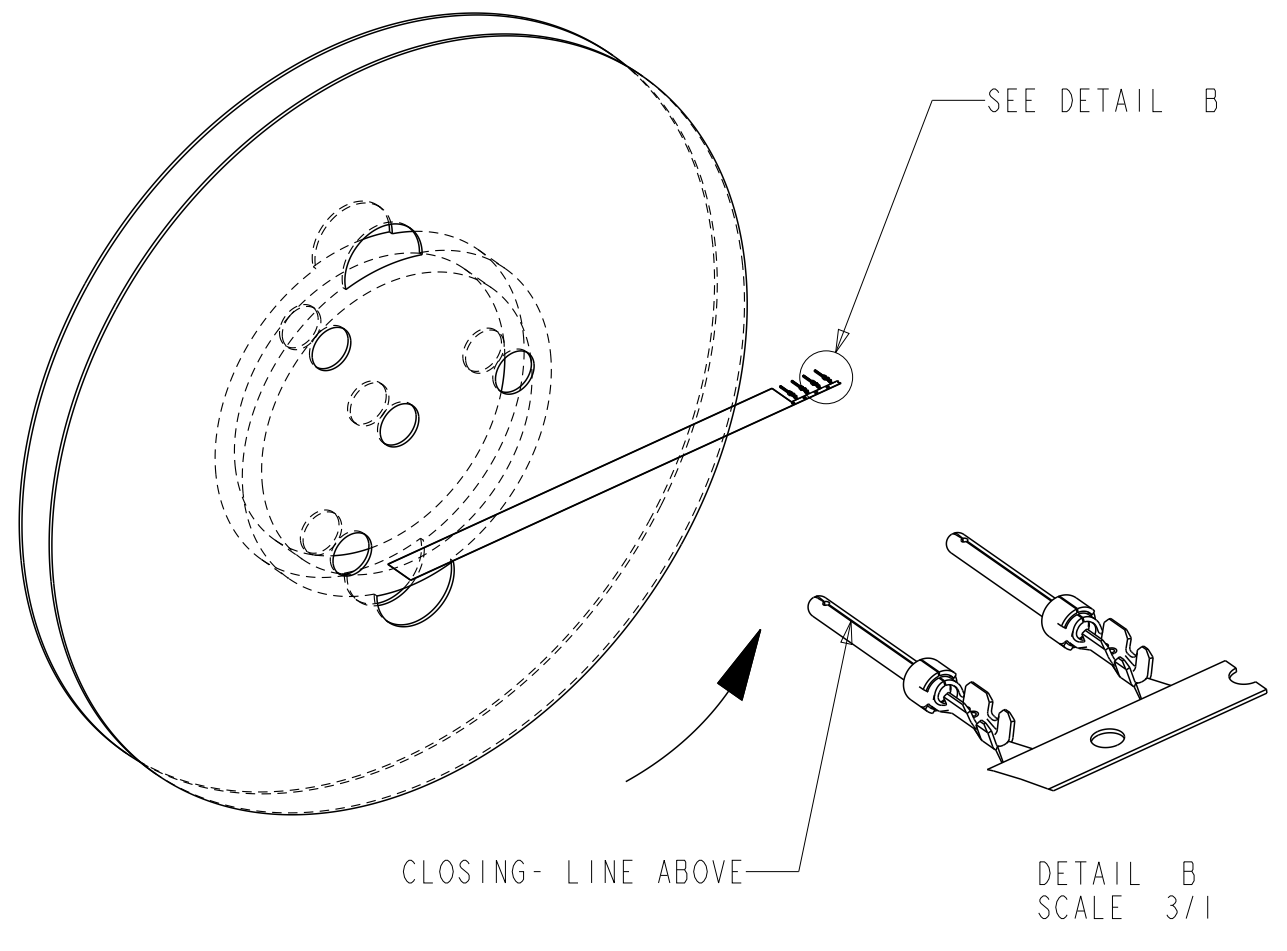
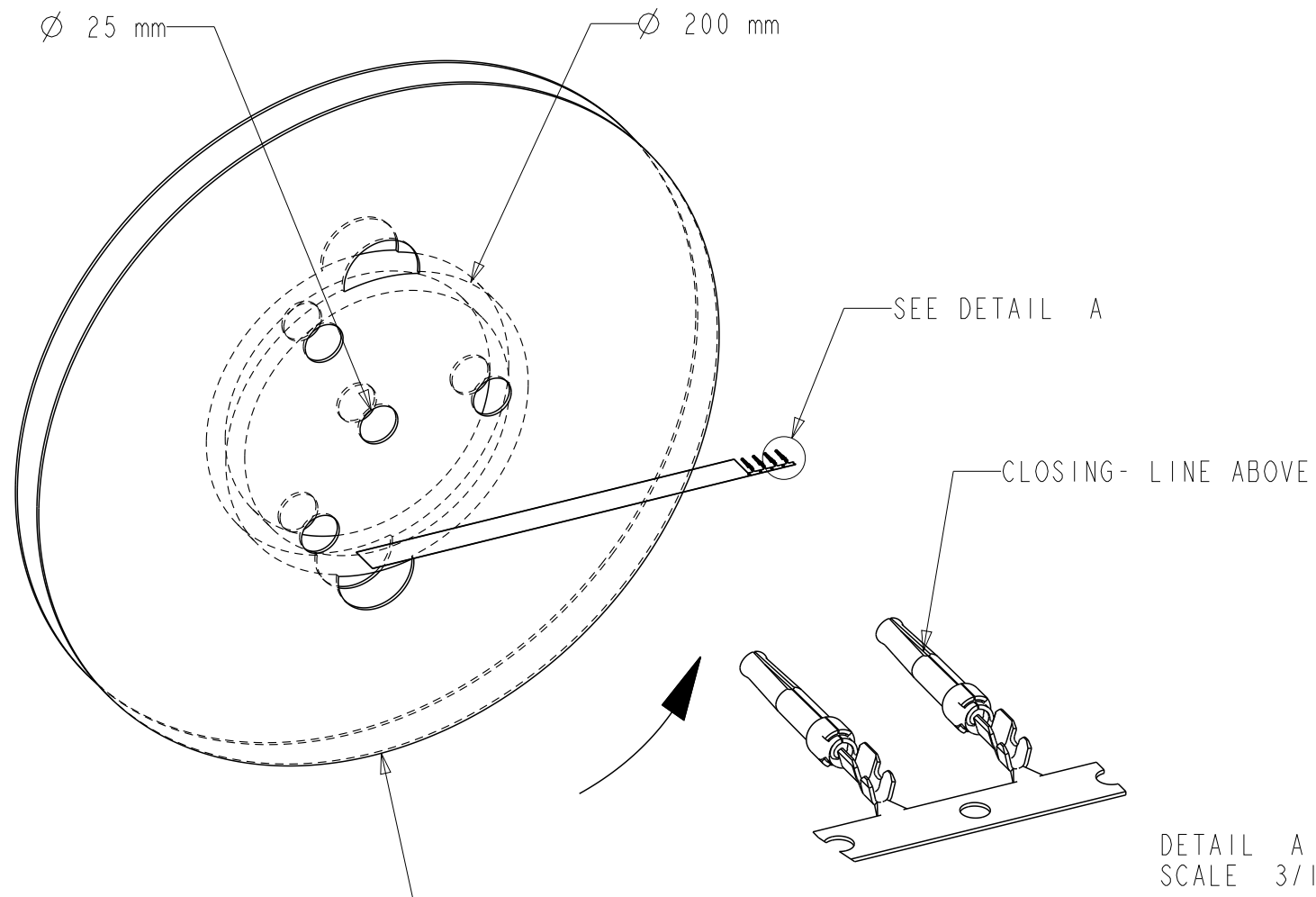


REFERENCE FOR REEL ACCORDING TO FEEDING DIRECTION

GAUGE	REEL OF 5000 FEMALE CONTACTS		REEL OF 10000 FEMALE CONTACTS		GAUGE	REEL OF 5000 PIN CONTACTS		REEL OF 10000 PIN CONTACTS	
# 24-28	86566610064	86566610064LF	86566640064	86566640064LF	# 24-28	86564610064	86564610064LF	86564640064	86564640064LF
# 20-24	86566620064	86566620064LF	86566630064	86566630064LF	# 20-24	86564620064	86564620064LF	86564630064	86564630064LF
# 24-28	86566610065	86566610065LF	86566640065	86566640065LF	# 24-28	86564610065	86564610065LF	-----	
# 20-24	86566620065	86566620065LF	86566630065	86566630065LF	# 20-24	86564620065	86564620065LF	86564630065	86564630065LF
# 24-28	86566610067	86566610067LF	86566640067	86566640067LF	# 24-28	86564610067	86564610067LF	-----	
# 20-24	86566620067	86566620067LF	86566630067	86566630067LF	# 20-24	86564620067	86564620067LF	86564630067	86564630067LF

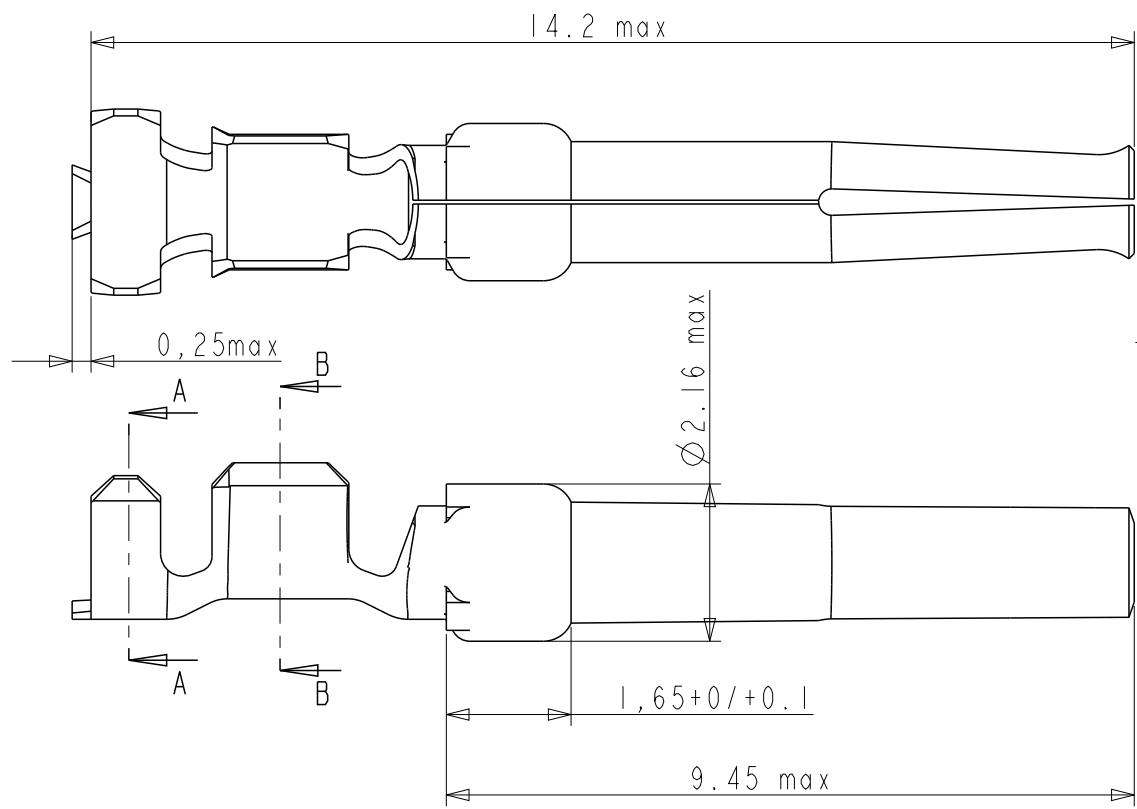


∅ 450 reel 5000cts
∅ 600 reel 10 000cts

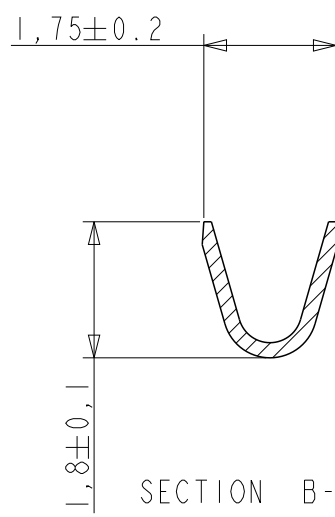
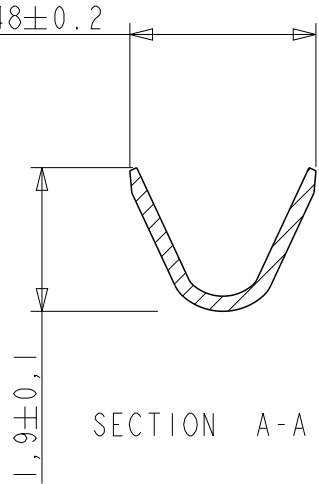
NOTE : ROHS INFORMATIONS
The LF products meet European union directives and other country regulations as described in GS-22-008
Terminations plating spec : 2um Nickel min + 2um Sn min
Packaging Spec : see GS-14-920

rev	ecn no	dr	date
D	LS3082	MPE	01/10/03
E	LS05-0094	LGO	18/10/05
F	LS06-0196	MPE	27/11/2006
G	LS08-0127	MPE	2008/05/13
H	109-0152	AMR	2009-07-27
J	110-0070	AMR	2010-03-09
K	111-0003	AMR	2011-01-06

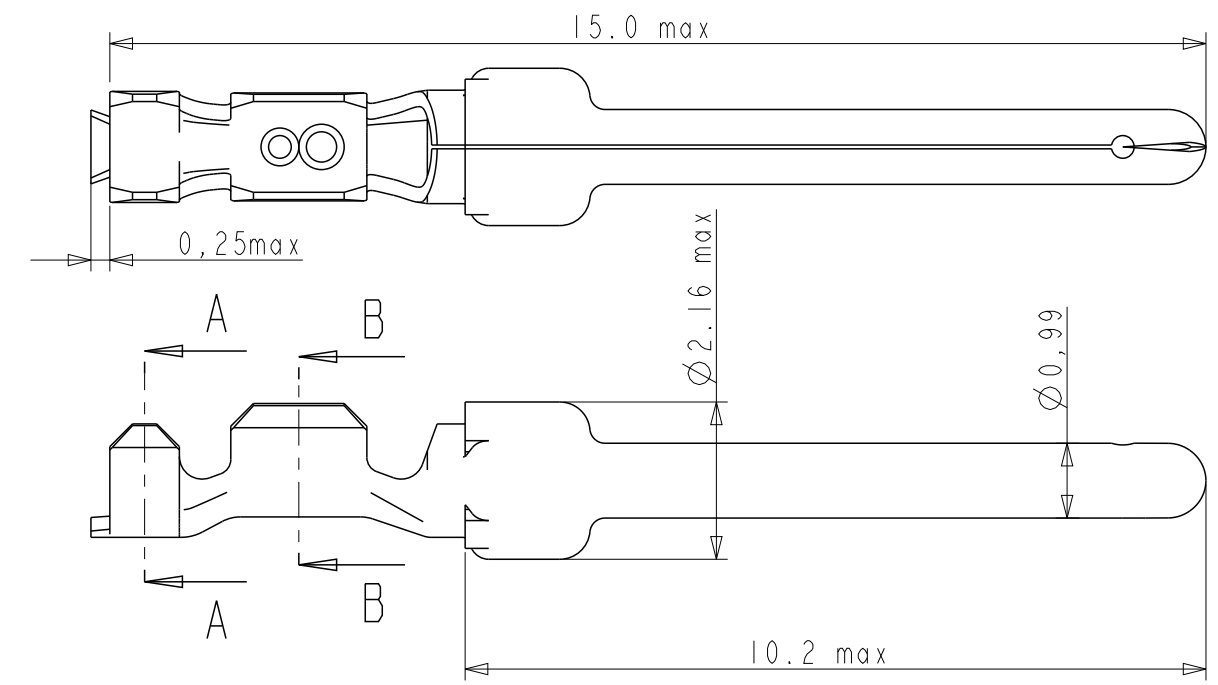
www.fciconnect.com		surface - ✓ ISO 1302	tolerance std ISO 406 ISO 1101	projection mm
TOLERANCES UNLESS OTHERWISE SPECIFIED				
Dr	M PESSON	11/07/03	ANGULAR	0.X ±0.3
Eng	-	-	LINEAR	0.XX ±0.1
Chr	P LEGARE	11/07/03	0° ±2°	0.XXX ±0.05
Appr	-	-	Product family	size A3 ECN 111-0003 Spec ref -
FCi		CRIMP PIN		dwg no C01-8656-1527
		#Wire 24-28 ∅1.02		Rev. K
		catalog no -		CUSTOMER sheet 1 of 2



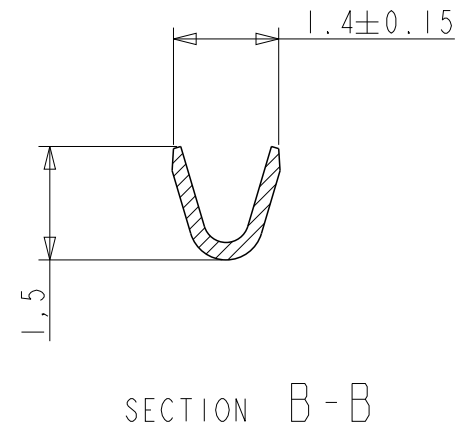
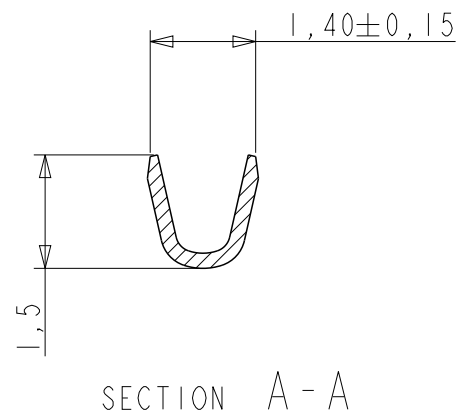
CROSS SECTION FOR CT #20-24



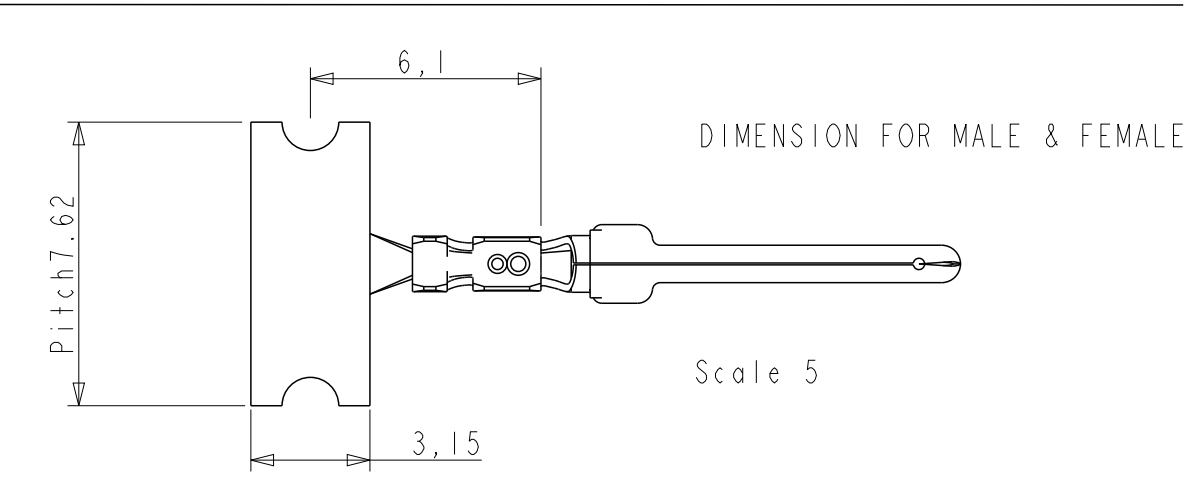
- NOTES
- 1- Material : Phosphor bronze, thickness 0.20
 - 2 -Finish on contact area : termination 064:gold flash
 terminaion 065:076μ Au / GXT
 termination 067:0,4μ Au / GXT
 finish on termination : bright tin over nickel
 - 3 -Wire range :20 to 28 AWG(see ref sheet 1/2)
 - 4 -Max outer dia of wire insulator:
 -1.73 mm for contact #20-24
 -1.02 mm for contact #24-28
 - 5 -Current carrying capacity per contact:
 5 Amps max when crimped to #20 AWG
 5 Amps max when crimped to #22 AWG
 3 Amps max when crimped to #24 AWG
 2 Amps max when crimped to #26 AWG
 1 Amps max when crimped to #28 AWG
 - 6 -After 5 insertions into connector, contact retention must be 5 pounds axial load min
 - 7 -When contact is crimped to 20 AWG, the insulation support crimped height must be 1.78 mm max to ensure a proper insertion into housing.
 - 8-Reel should be continous without any contacts missing in between
 - 9 -Packaging : Reel



CROSS SECTION FOR CT #24-28



Copyright FCI.



www.fciconnect.com		surface - ✓ ISO 1302	tolerance std ISO 406 ISO 1101	projection mm
TOLERANCES UNLESS OTHERWISE SPECIFIED				
Dr	M PESSON	11/07/03	ANGULAR	size A3
Eng	-	-	LINEAR	Scale 10/1
Chr	P LEGARE	11/07/03	0° ±2°	ECN 111-0003
Appr	-	-	Product family	Spec ref
FCI		title CRIMP PIN		Rev. K
#Wire 24-28 Ø1.02		dwg no C01-8656-1527		
catalog no -		CUSTOMER		sheet 2 of 2