



FCIconnect.com

Copyright FCI.

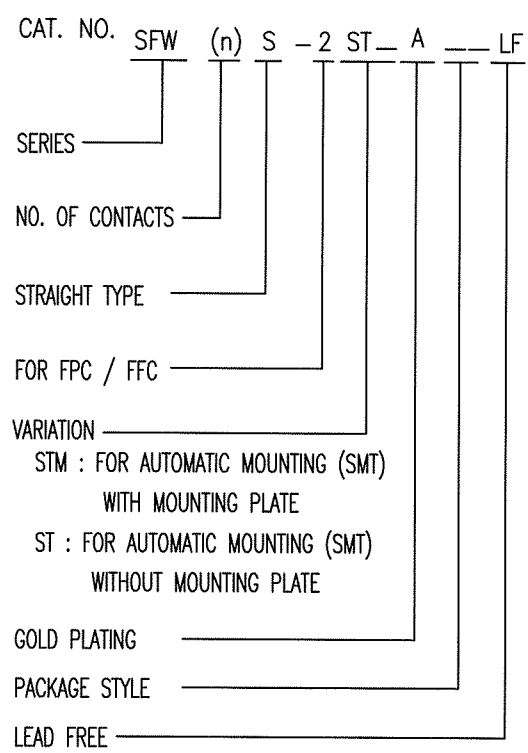
Configuration of Documents

P/N	Documents	No.	Title	CAT.No.
SFW_S-2ST(M)AE1LF	Specification Connector dwg.	SC-SFWS05	CAT.NO.TABLE FOR 1mm SPACING SMT CONNECTOR	SFW_S-2ST_A_LF
		JSA96624	1mm SPACING SURFACE MOUNT FPC/FPC CONNECTOR	SFW_S-2STA_LF
		JSA96625	1mm SPACING SURFACE MOUNT FPC/FPC CONNECTOR	SFW_S-2STMA_LF
		JSA96626	CAT. NO. TABLE FOR PLASTIC TAPE PACKAGED 1mm SPACING SMT CONN.	SFW_S-2ST_AE1LF
		JSA96627	PLASTIC TAPE PACKAGED 1mm SPACING SMT CONNECTOR	SFW_S-2ST_AE1LF
SFW_S-2ST(M)AE5LF	Cable dwg.	JSA96628	RECOMMENDED CABLE	SFW_S-2ST_
		JSA96629		
	Specification Connector dwg.	SC-SFWS05	CAT.NO.TABLE FOR 1mm SPACING SMT CONNECTOR	SFW_S-2ST_A_LF
		JSA96624	1mm SPACING SURFACE MOUNT FPC/FPC CONNECTOR	SFW_S-2STA_LF
		JSA96625	1mm SPACING SURFACE MOUNT FPC/FPC CONNECTOR	SFW_S-2STMA_LF
SFW_S-2ST(M)AE5LF		JSA96626	CAT. NO. TABLE FOR PLASTIC TAPE PACKAGED 1mm SPACING SMT CONN.	SFW_S-2ST_AE5LF
		JSA97447	PLASTIC TAPE PACKAGED 1mm SPACING SMT CONNECTOR	SFW_S-2ST_AE5LF
		JSA97448	RECOMMENDED CABLE	SFW_S-2ST_

mat'l. code				surface ISO 1302 <input checked="" type="checkbox"/>	tolerance ISO 406 <input type="checkbox"/>	projection	product family 58SF	CODE JP
ltr	ecn no	dr	date	tolerances unless otherwise specified		mm 	title SFW_S Documents Configuration (1mm Spacing connector)	
A	J05-0457	H.T	7/19/05	angles	linear			
B	J06-0430	H.T	10/19/06					
C	J08-0338	H.T	2008-8-13			scale \propto		
		dr					dwg no	sheet 1 of 1 size
		enr					JSA96623	A4
		chr					type Product Customer Drawing	
		app						
sheet index	revision sheet	C	1					Rev. C

CAT. NO. & DIMENSIONS

NOTE3	NO. OF CONTACTS (n)	CAT. NO.	DIMENSIONS (NOTE2)		
			A ±0.2	B ±0.2	C ±0.2
	4	SFW4S-2ST_A_LF	10.4	5.24	3
	5	SFW5S-2ST_A_LF	11.4	6.24	4
	6	SFW6S-2ST_A_LF	12.4	7.24	5
*	7	SFW7S-2ST_A_LF	13.4	8.24	6
	8	SFW8S-2ST_A_LF	14.4	9.24	7
*	9	SFW9S-2ST_A_LF	15.4	10.24	8
	10	SFW10S-2ST_A_LF	16.4	11.24	9
	11	SFW11S-2ST_A_LF	17.4	12.24	10
*	12	SFW12S-2ST_A_LF	18.4	13.24	11
	13	SFW13S-2ST_A_LF	19.4	14.24	12
	14	SFW14S-2ST_A_LF	20.4	15.24	13
	15	SFW15S-2ST_A_LF	21.4	16.24	14
	16	SFW16S-2ST_A_LF	22.4	17.24	15
	17	SFW17S-2ST_A_LF	23.4	18.24	16
*	18	SFW18S-2ST_A_LF	24.4	19.24	17
*	19	SFW19S-2ST_A_LF	25.4	20.24	18
	20	SFW20S-2ST_A_LF	26.4	21.24	19
*	21	SFW21S-2ST_A_LF	27.4	22.24	20
	22	SFW22S-2ST_A_LF	28.4	23.24	21
	23	SFW23S-2ST_A_LF	29.4	24.24	22
	24	SFW24S-2ST_A_LF	30.4	25.24	23
*	25	SFW25S-2ST_A_LF	31.4	26.24	24
	26	SFW26S-2ST_A_LF	32.4	27.24	25
*	27	SFW27S-2ST_A_LF	33.4	28.24	26
	28	SFW28S-2ST_A_LF	34.4	29.24	27
	29	SFW29S-2ST_A_LF	35.4	30.24	28
	30	SFW30S-2ST_A_LF	36.4	31.24	29
*	31	SFW31S-2ST_A_LF	37.4	32.24	30
*	32	SFW32S-2ST_A_LF	38.4	33.24	31

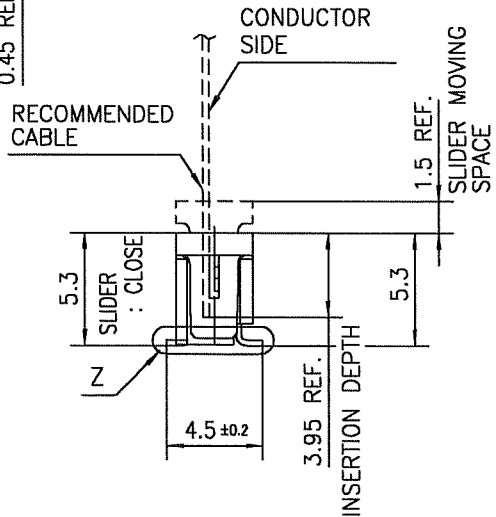
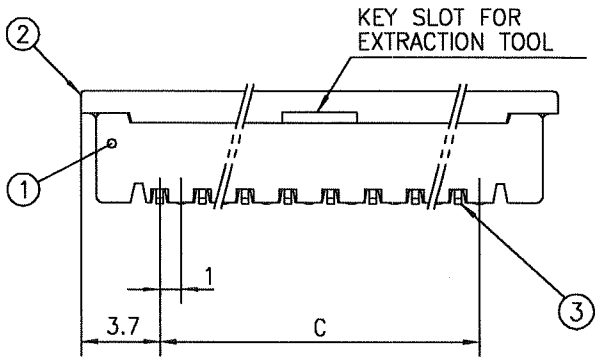
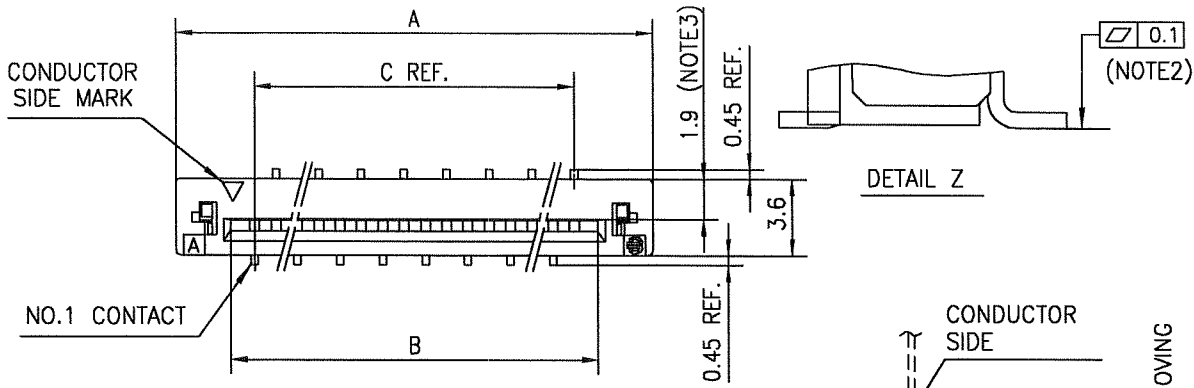


NOTES

1. THIS PRODUCT IS THE CONNECTOR, DESIGNED TO TERMINATE FPC/FFC AND COPES WITH AUTOMATIC MOUNTING (SMT).
2. SEE PART DRAWINGS FOR DIMENSIONS A.B.C.
3. PLEASE CONSULT US IN CASE OF USING PARTS WITH * MARK

mat'l. code				surface 58 / tolerance ISO 406 ISO 1101		projection		product family 58SF		CODE JP	
ISO 1302				tolerances unless otherwise specified		mm		title			
A J05-0457 H.T 2005-7-19				angles linear		scale X		CAT. NO. TABLE FOR 1mm SPACING SMT CONNECTOR (CAT.No.SFW__S-2ST_A_LF)			
B J05-0547 H.T 2005-8-30						FCI		dwg no sheet 1 of 1 size			
C J06-0430 H.T 2006-10-19								JSA 96624 A4			
D J07-0407 H.T 2007-8-9				dr 2007-8-9				type Product Customer Drawing			
				enr 2007-8-9							
				chr 2007-8-9							
				appd 2007-8-9							
sheet index		revision D								Rev D	
sheet 1										D	

SC-SFWS 05 JSA96625 96626 96627 96628 96629 form: A4



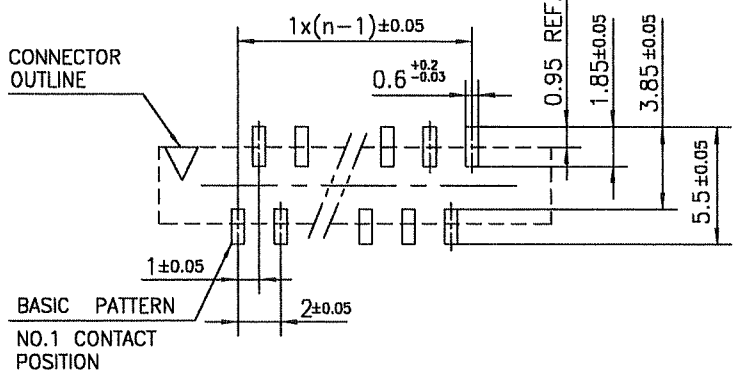
PT. NO.	PARTS NAME	MATERIAL	Q'TY	NOTE
1	HOUSING	GLASS FILLED THERMOPLASTIC RATED. (UL94V-0)	1	COLOR : BROWN
2	SLIDER	GLASS FILLED THERMOPLASTIC RATED. (UL94V-0)	1	COLOR : BLACK
3	CONTACT	PHOSPHOR BRONZE	n	PLATING : GOLD PLATING

n : NO. OF CONTACTS

NOTES

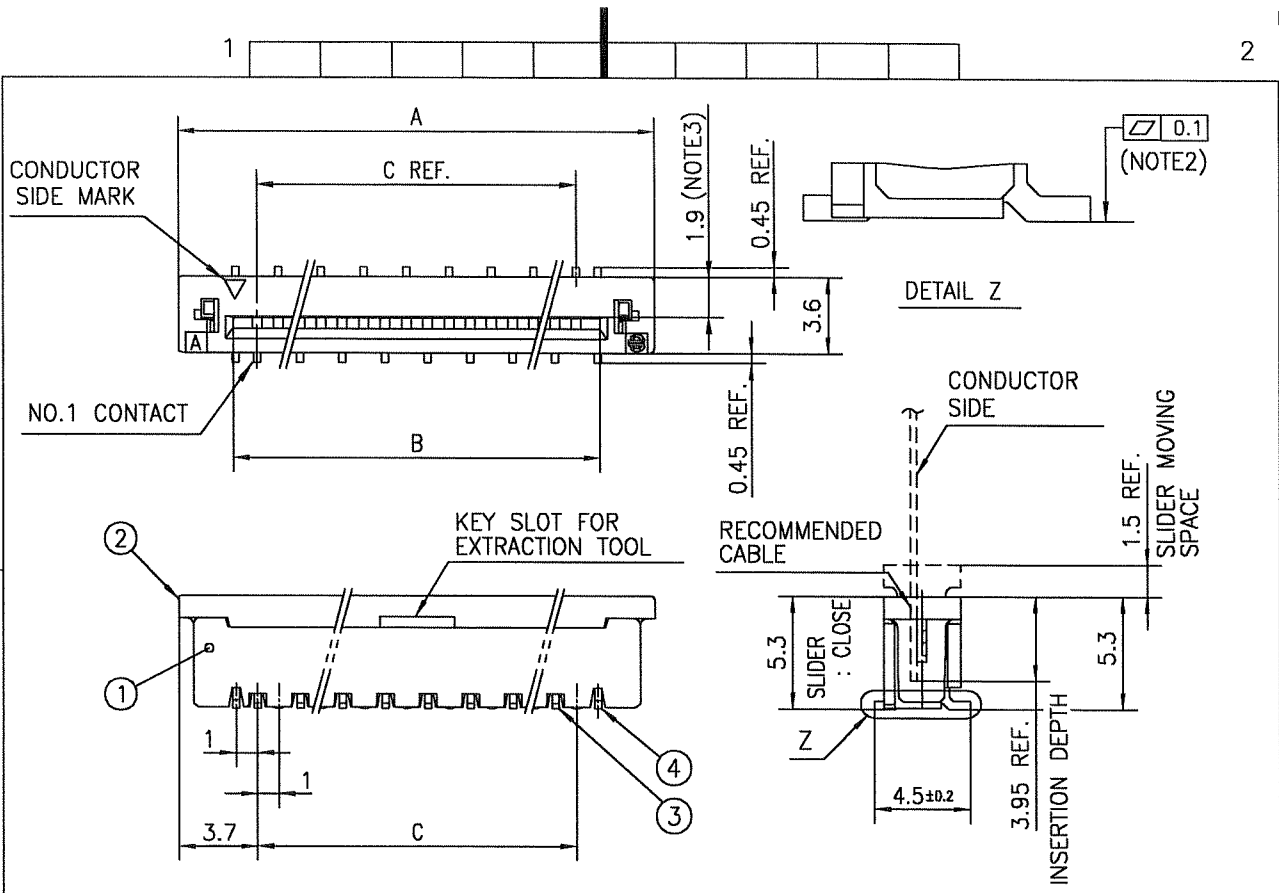
1. THIS PRODUCT IS THE CONNECTOR DESIGNED TO TERMINATE FPC/FFC AND COPE WITH AUTOMATIC MOUNTING (SMT).
2. FLATNESS OF CONTACT TERMINAL MUST BE WITHIN TOLERANCE IN Z PORTION DETAILED DRAWING.
3. THIS DIMENSION IS SPACE FOR THE NOZZLE OF MOUNTER.
4. THIS PRODUCT MEETS EUROPEAN UNION DIRECTIVES AND OTHER COUNTRY REGULATIONS AS DESCRIBED IN GS-22-008
5. THE HOUSING WILL WITHSTAND EXPOSURE TO 260°C PEAK TEMPERATURE FOR 10 SECONDS IN A REFLOW SOLDERING OVEN.

RECOMMENDED PC BOARD LAYOUT (COMPONENT SIDE)



mat'l. code		surface 58 / ISO 1302 ✓		tolerance ISO 406 / ISO 1101		projection		product family 58SF		CODE JP	
ltr	ecn no	dr	date	tolerances unless otherwise specified		mm		title			
A	J05-0457	H.T	7/19/05	angles ±0.2		mm		1mm SPACING SURFACE MOUNT FPC/FFC CONNECTOR (CAT.No.SFW__S-2STA_LF)			
B	J05-0731	H.T	10/28/05	linear		scale X		dwg no sheet 1 of 1 size			
C	J06-0430	H.T	10/19/06			FCJ		JSA 96625 A4			
sheet index		revision C		dr		10/19/06		type Product Customer Drawing			
sheet 1		sheet 1		enr		10/19/06		Rev. C			
				chr		10/19/06					
				appd		10/20/06					

SC-SFWS 05 JSA96624 form: A4



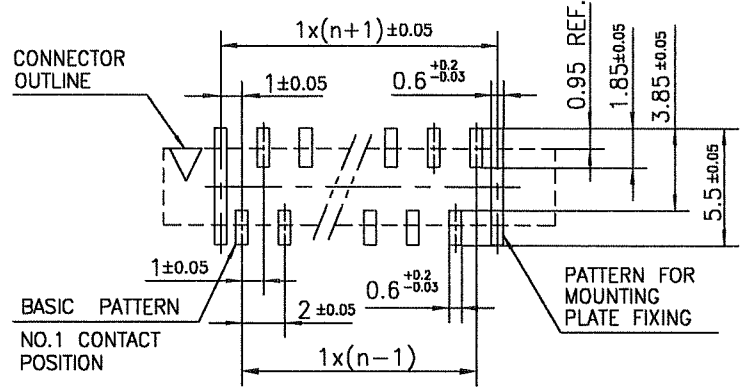
PT. NO.	PARTS NAME	MATERIAL	Q'TY	NOTE
1	HOUSING	GLASS FILLED THERMOPLASTIC RATED.	1	COLOR : BROWN
2	SLIDER	(UL94V-0)	1	COLOR : BLACK
3	CONTACT	PHOSPHOR BRONZE	n	PLATING : GOLD PLATING
4	MOUNTING PLATE	BRASS	2	PLATING : Sn Ni UNDER PLATED

n : NO. OF CONTACTS

NOTES

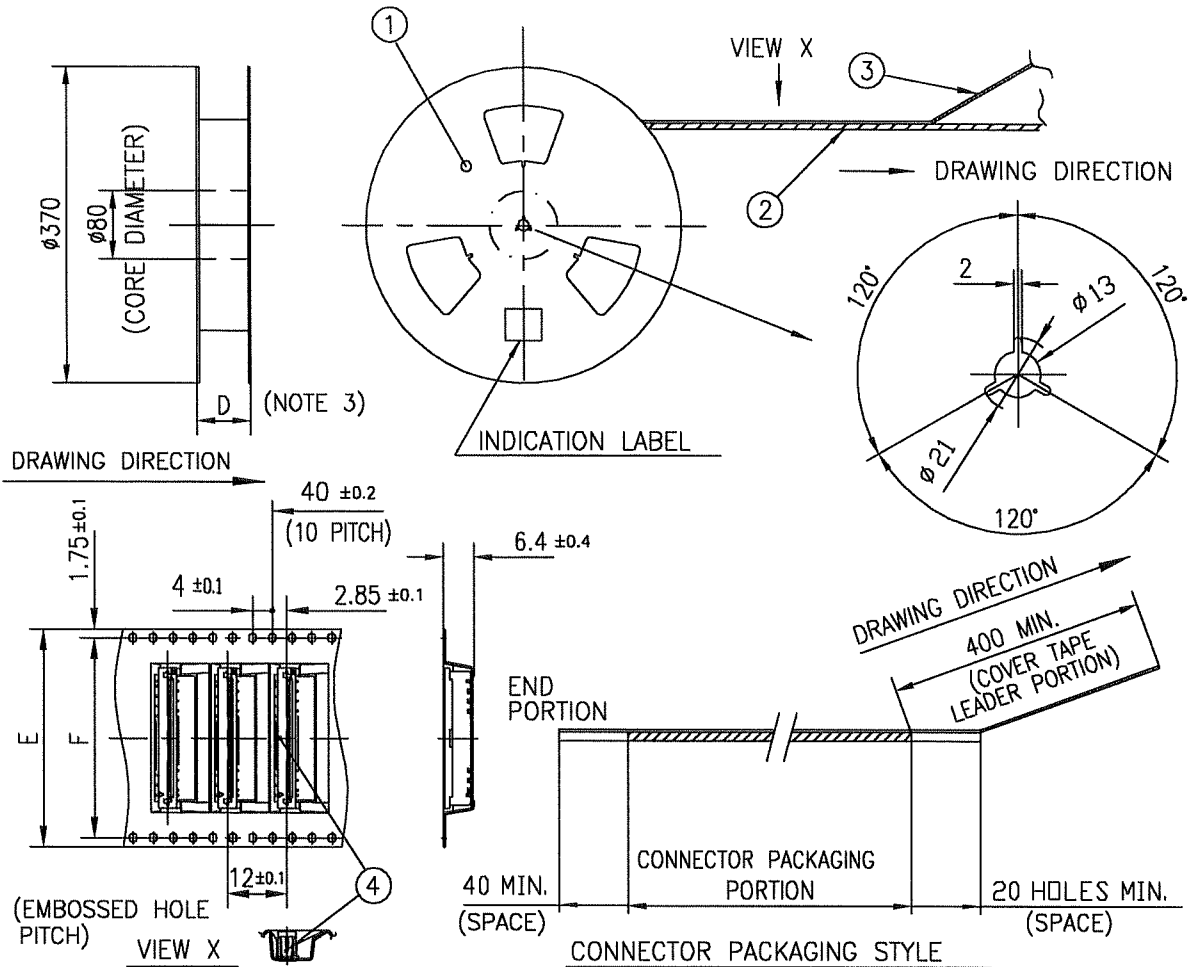
1. THIS PRODUCT IS THE CONNECTOR DESIGNED TO TERMINATE FPC/FFC AND COPE WITH AUTOMATIC MOUNTING (SMT).
2. FLATNESS OF CONTACT TERMINAL AND MOUNTING PLATE MUST BE WITHIN TOLERANCE IN Z PORTION DETAILED DRAWING.
3. THIS DIMENSION IS SPACE FOR THE NOZZLE OF MOUNTER.
4. THIS PRODUCT MEETS EUROPEAN UNION DIRECTIVES AND OTHER COUNTRY REGULATIONS AS DESCRIBED IN GS-22-008
5. THE HOUSING WILL WITHSTAND EXPOSURE TO 260°C PEAK TEMPERATURE FOR 10 SECONDS IN A REFLOW SOLDERING OVEN.

RECOMMENDED PC BOARD LAYOUT (COMPONENT SIDE)



mat'l. code				surface 58 / tolerance ISO 1302 ✓ / ISO 406 / ISO 1101		projection		product family 58SF		CODE JP	
ltr ecn no dr date				tolerances unless otherwise specified		mm		title			
A J05-0457 H.T 7/19/05				angles linear ±0.2		mm		1mm SPACING SURFACE MOUNT FPC/FFC CONNECTOR (CAT.No.SFW__S-2STMA__LF)			
B J05-0731 H.T 10/28/05						scale X		dwg no sheet 1 of 1 size			
C J06-0430 H.T 10/19/06						FCI		JSA 96626 A4			
				dr H. [signature] 10/19/06				type Product Customer Drawing			
				enr H. [signature] 10/19/06				Rev. C			
				chr M. [signature] 10/19/06							
				appd S. [signature] 10/20/06							
sheet index		revision sheet C 1									

SC-SFWS 05 JSA96624 form: A4



PT. NO.	PARTS NAME	CAT. NO.	MATERIAL	Q'TY	NOTE
1	REEL	_____	CARDBOARD	1	COLOR:GRAY
2	PLASTIC (EMBOSSD) TAPE	_____	PET	_____	COLOR:TRANSPARENCY
3	COVER	_____	POLYESTER	_____	COLOR:TRANSPARENCY
4	CONNECTOR	SFW__S-2ST_A_LF	SEE ATTACHED DWG.	1000	_____

- NOTES
1. THIS IS PLASTIC TAPE PACKAGED CONNECTOR USED FOR FPC/FFC AND COPES WITH AUTOMATIC MOUNTING (SMT).
 2. SEE JIS C 0806 (PACKING OF ELECTRONIC COMPONENTS ON CONTINUOUS TAPES (SURFACE MOUNTING DEVICES)) FOR SHAPE AND DIMENSIONS OF PLASTIC (EMBOSSD) TAPE AND REEL.
 3. F DIMENSION IS PORTION OF THE CORE.

mat'l. code				surface 58 / tolerance ISO 1302 / ISO 406 / ISO 1101		projection		product family 58SF		CODE JP	
ltr	ecn no	dr	date	tolerances unless otherwise specified		mm		title			
A	J05-0457	H.T	7/19/05	±5		mm		PLASTIC TAPE PACKAGED 1mm SPACING SMT CONNECTOR (CATA.No.SFW__S-2ST_AE1LF)			
B	J06-0430	H.T	10/19/06	linear		scale X		dwg no sheet 1 of 1 size			
				±5'		FCI		JSA 96628 A4			
				dr 10/19/06				type Product Customer Drawing			
				enrg 10/19/06				Rev B			
				chr R. Shoyt 10/19/06							
				appd S. Ouellet 10/20/06							
sheet index		revision sheet B 1									

SC-SFWS 05 JSA96624 form: A4

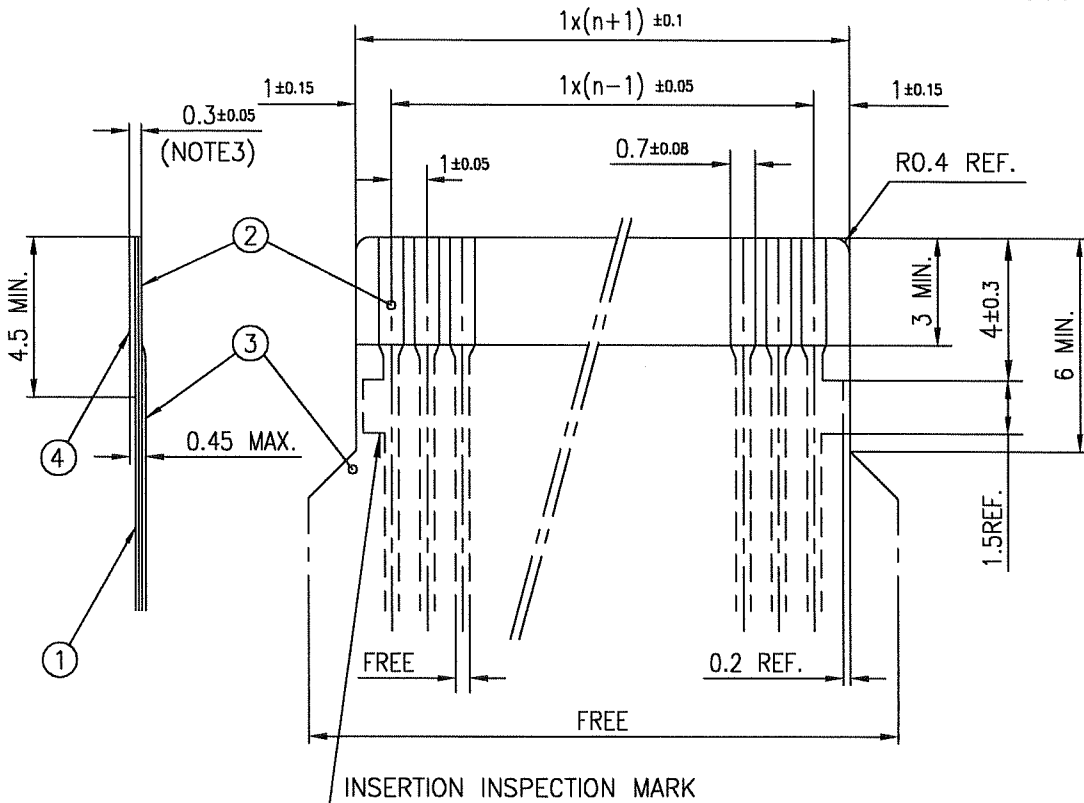


FCIconnect.com

Copyright FCI.

RECOMMENDED CABLE (FPC)

n : NO. OF CONDUCTORS



PT. NO.	DESCRIPTION	MATERIAL	THICKNESS (μm)
1	BASE FILM	POLYIMIDE OR POLYESTER OR EQUIVALENT	25
2	CONDUCTOR	COPPER FOIL(GOLD PLATING)	35
3	OVERLAY	POLYIMIDE OR POLYESTER OR EQUIVALENT	—
4	SUPPORTING TAPE	POLYESTER OR POLYIMIDE OR EQUIVALENT	188

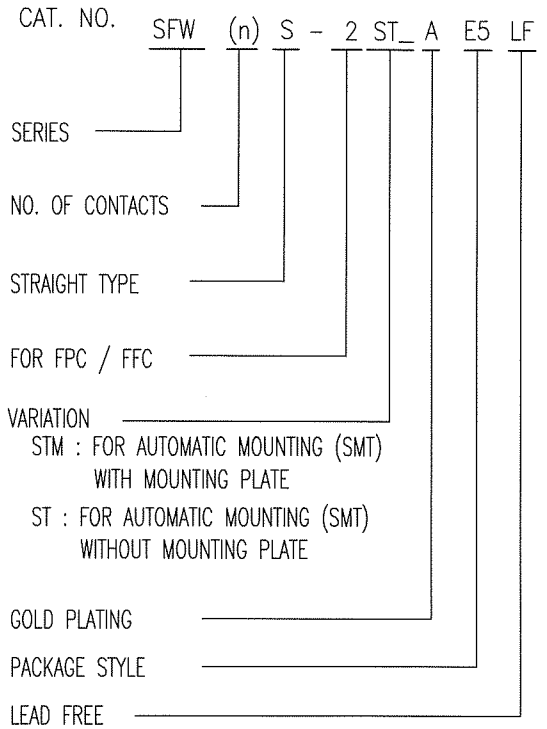
NOTES

1. NO BURR AT EACH PORTION.
2. NO PEELING IN COMMON USE.
3. TOTAL THICKNESS LIMIT OF EACH MATERIAL (INCLUDING ADHESIVE AGENT) IS SPECIFIED.

mat'l. code				surface 58 / tolerance ISO 1302 ✓ ISO 406 ISO 1101		projection		product family 58SF		CODE JP	
ltr	ecn no	dr	date	tolerances unless otherwise specified				title			
A	J05-0457	H.T	7/19/05	angles linear				RECOMMENDED CABLE (CAT.No.SFW__S-2ST__)			
B	J06-0430	H.T	10/19/06					mm			
				dr <i>K. Shouji</i> 10/19/06				dwg no JSA 96629		sheet 1 of 1 size A4	
				enr <i>K. Shouji</i> 10/19/06				type Product Customer Drawing			
				chr <i>R. Shouji</i> 10/19/06							
				appd <i>S. Shouji</i> 10/20/06							
sheet index		revision sheet B 1								Rev. B	

CAT. NO. & DIMENSIONS

(NOTE4)	NO. OF CONTACTS (n)	CAT. NO. (NOTE2)	DIMENSIONS (NOTE3)		
			D MAX.	E ± 0.3	F ± 0.1
	4	SFW4S-2ST_AE5LF	30.4	24	—
	5	SFW5S-2ST_AE5LF	30.4	24	—
	6	SFW6S-2ST_AE5LF	30.4	24	—
*	7	SFW7S-2ST_AE5LF	30.4	24	—
	8	SFW8S-2ST_AE5LF	30.4	24	—
*	9	SFW9S-2ST_AE5LF	30.4	24	—
	10	SFW10S-2ST_AE5LF	30.4	24	—
	11	SFW11S-2ST_AE5LF	30.4	24	—
*	12	SFW12S-2ST_AE5LF	38.4	32	28.4
	13	SFW13S-2ST_AE5LF	38.4	32	28.4
	14	SFW14S-2ST_AE5LF	38.4	32	28.4
	15	SFW15S-2ST_AE5LF	38.4	32	28.4
	16	SFW16S-2ST_AE5LF	50.4	44	40.4
	17	SFW17S-2ST_AE5LF	50.4	44	40.4
*	18	SFW18S-2ST_AE5LF	50.4	44	40.4
*	19	SFW19S-2ST_AE5LF	50.4	44	40.4
	20	SFW20S-2ST_AE5LF	50.4	44	40.4
*	21	SFW21S-2ST_AE5LF	50.4	44	40.4
	22	SFW22S-2ST_AE5LF	50.4	44	40.4
	23	SFW23S-2ST_AE5LF	50.4	44	40.4
	24	SFW24S-2ST_AE5LF	50.4	44	40.4
*	25	SFW25S-2ST_AE5LF	50.4	44	40.4
	26	SFW26S-2ST_AE5LF	50.4	44	40.4
*	27	SFW27S-2ST_AE5LF	62.4	56	52.4
	28	SFW28S-2ST_AE5LF	62.4	56	52.4
	29	SFW29S-2ST_AE5LF	62.4	56	52.4
	30	SFW30S-2ST_AE5LF	62.4	56	52.4
*	31	SFW31S-2ST_AE5LF	62.4	56	52.4
*	32	SFW32S-2ST_AE5LF	62.4	56	52.4



NOTES

1. THIS PRODUCT IS THE CONNECTOR DESIGNED TO TERMINATE FPC/FFC AND COPES WITH AUTOMATIC MOUNTING (SMT).
2. THIS CATALOG NO. INDICATES PLASTIC TAPE PACKAGED CONNECTOR.
3. SEE PART DRAWINGS FOR DIMENSIONS D~F.
4. PLEASE CONSULT US IN CASE OF USING PARTS WITH * MARK.

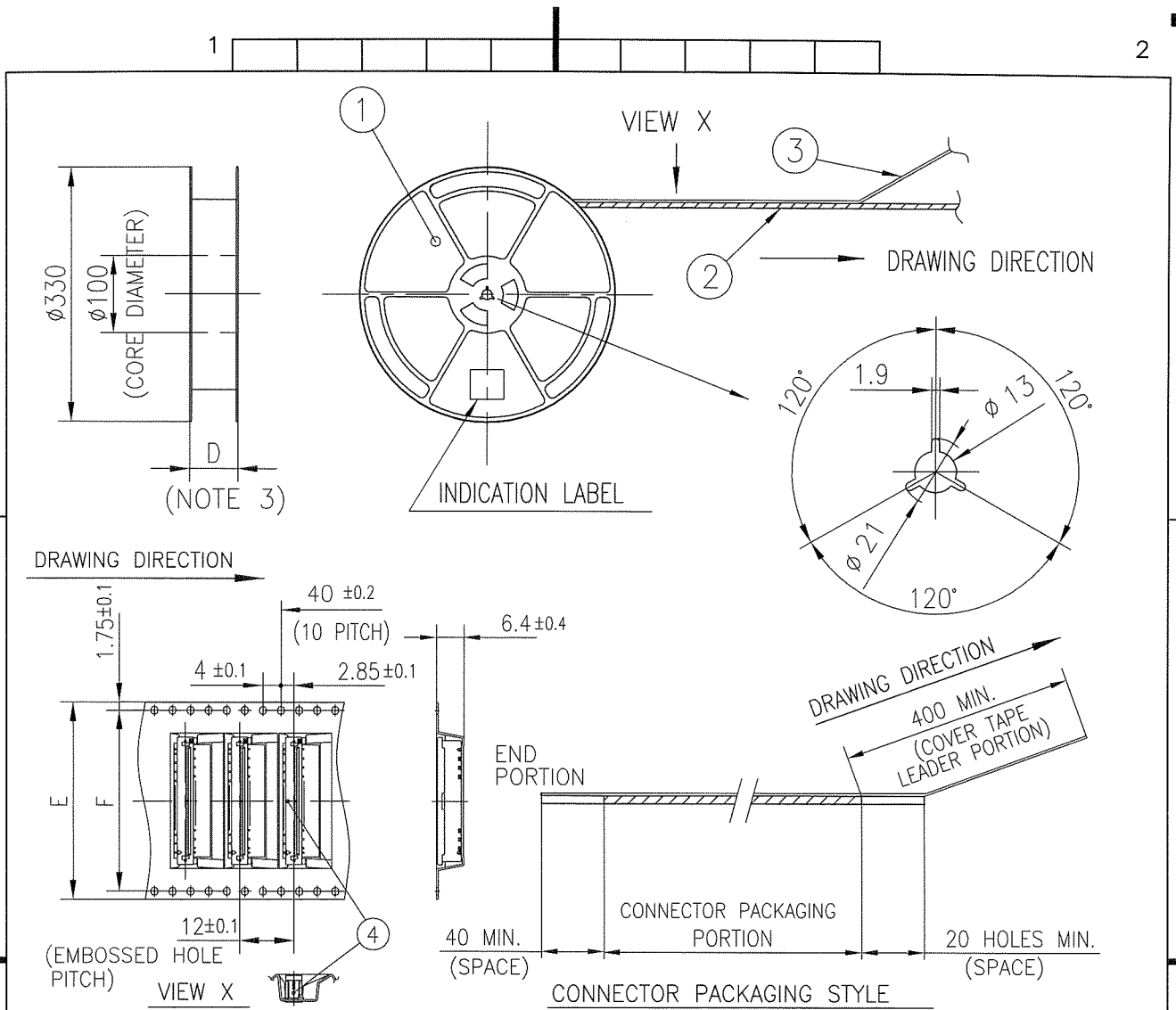


FCIconnect.com

Copyright FCI.

mat'l. code				surface <input checked="" type="checkbox"/> ISO 1302 <input checked="" type="checkbox"/> tolerance <input checked="" type="checkbox"/> ISO 406 <input checked="" type="checkbox"/> ISO 1101		projection		product family 58SF		CODE JP	
ltr A		ecn no J08-0338		dr H.T		date 2008-8-13		tolerances unless otherwise specified		title	
				angles		linear		mm		CAT NO. TABLE FOR PLASTIC TAPE PACKAGED 1mm SPACING SMT CONN. (Cat. No. SFW__S-2ST_AE5LF)	
				dr		2008-8-13		scale X		dwg no JSA 97447	
				enr		2008-8-13				sheet 1 of 1 size A4	
				chr		2008-8-13				type Product Customer Drawing	
				appd		2008-8-13				Rev. A	
sheet index		revision sheet 1		A							

SC-SFWS05 JSA96624 96625 96626 97448 form: A4



PT. NO.	PARTS NAME	CAT. NO.	MATERIAL	Q'TY	NOTE
1	REEL	_____	POLYSTYRENE	1	COLOR : WHITE or BLACK
2	PLASTIC (EMBOSSD) TAPE	_____	PET	_____	COLOR : TRANSPARENCY
3	COVER	_____	POLYESTER	_____	COLOR : TRANSPARENCY
4	CONNECTOR	SFW__S-2ST_ALF	SEE ATTACHED DWG.	900	_____

NOTES

1. THIS IS PLASTIC TAPE PACKAGED CONNECTOR USED FOR FPC/FFC AND COPES WITH AUTOMATIC MOUNTING (SMT).
2. SEE JIS C 0806 (PACKING OF ELECTRONIC COMPONENTS ON CONTINUOUS TAPES (SURFACE MOUNTING DEVICES)) FOR SHAPE AND DIMENSIONS OF PLASTIC (EMBOSSD) TAPE AND REEL.
3. F DIMENSION IS PORTION OF THE CORE.

mat'l. code		surface ISO 1302 ✓		tolerance ISO 406 ISO 1101		projection		product family 58SF		CODE JP	
ltr		ecn no		dr		date		tolerances unless otherwise specified		title	
A		J08-0338		H.T		2008-8-13		±5		PLASTIC TAPE PACKAGED 1mm SPACING SMT CONNECTOR (Cat. No. SFW__S-2ST_AE5LF)	
				angles		linear		mm		dwg no	
				±5°				scale		sheet 1 of 1	
				dr		2008-8-13		FCJ		size	
				engr		2008-8-13				A4	
				chr		2008-8-13				JSA 97448	
				appd		2008-8-13				type Product Customer Drawing	
sheet index		revision A								Rev. A	
sheet 1										D	

SC-SFWS05 JSA97447
form: A4