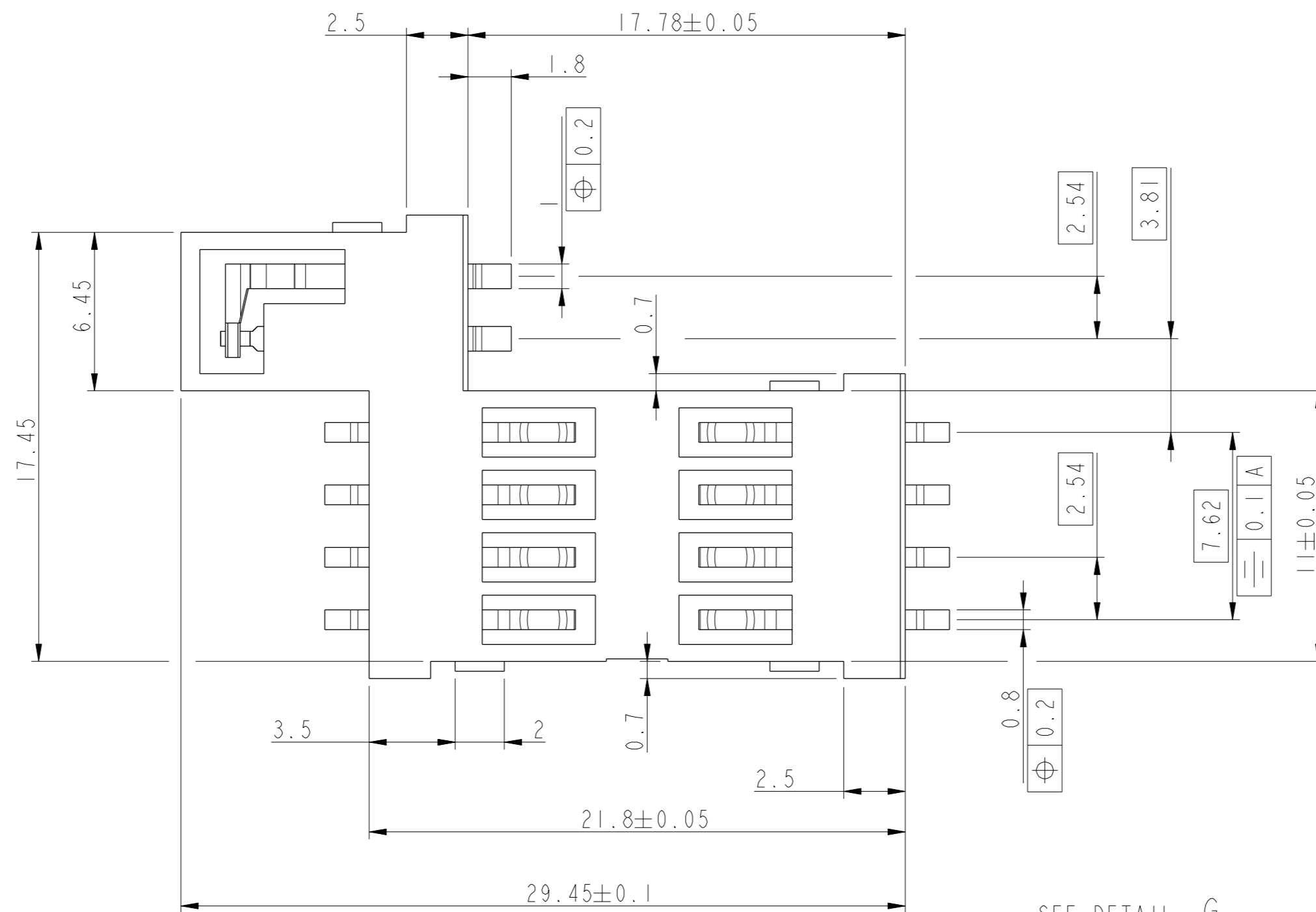


PART NUMBER
7X11S0725A01LF

CODE	PACKAGE OPTION
3	LARGE TRAY QTY-100 PCS
7	SMALL TRAY QTY- 84 PCS



CHARACTERISTICS:

GENERAL:

This S07 connector is suitable for narrow space portable applications. It has an integral card detection switch.

ELECTRICAL PROPERTIES:

Insulation resistance : > 1000MΩ
 Dielectric withstanding voltage : > 1000 Vrms
 Current carrying capacity : Min 10mA, Max. 1A
 Contact resistance : GSM 11-11 standard
 Card sensor type : Normally Open

MECHANICAL PROPERTIES:

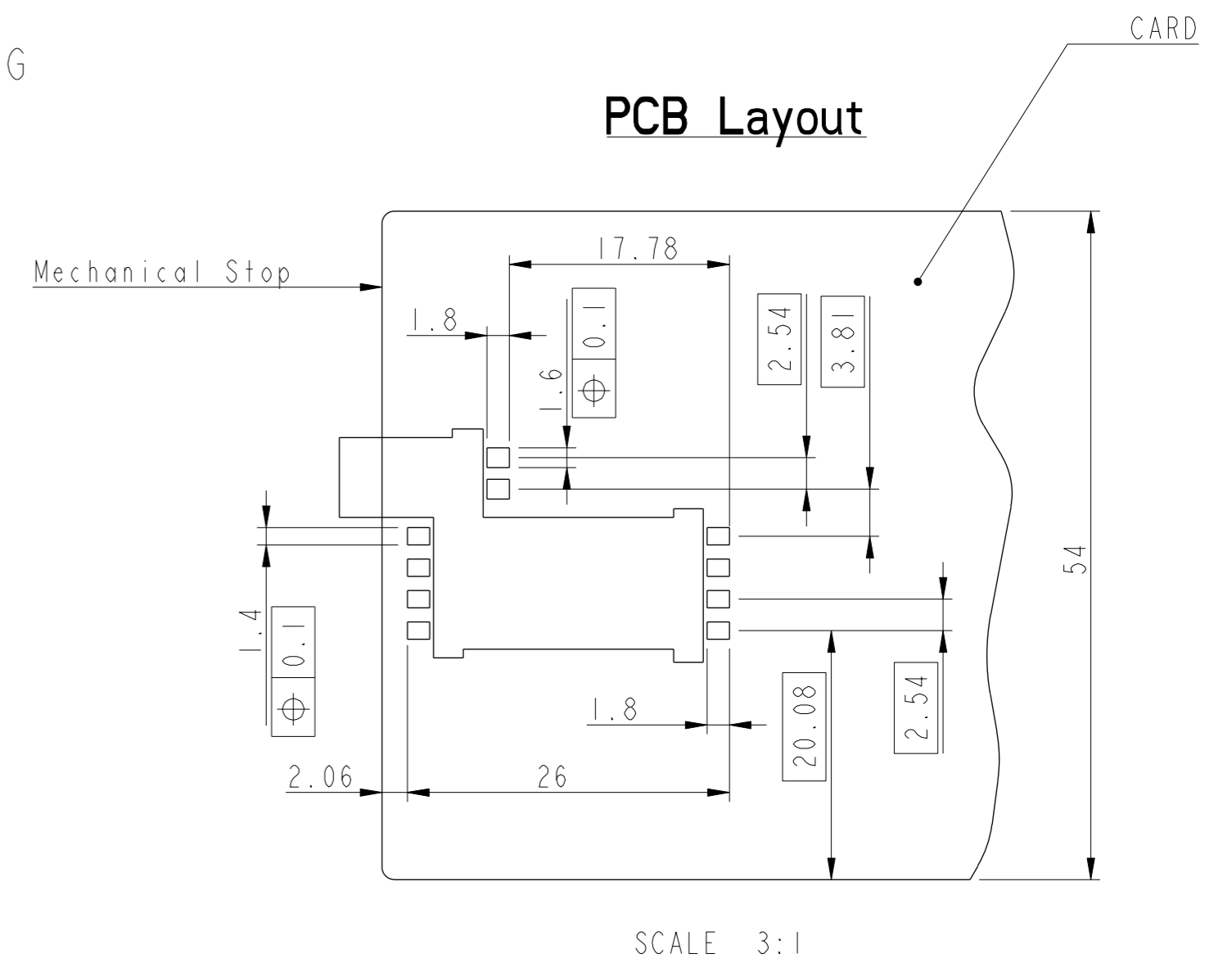
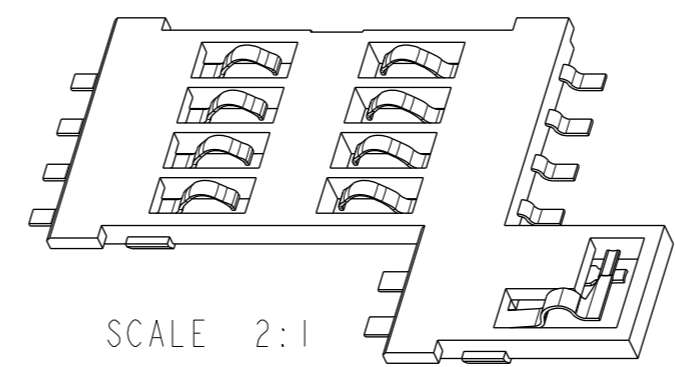
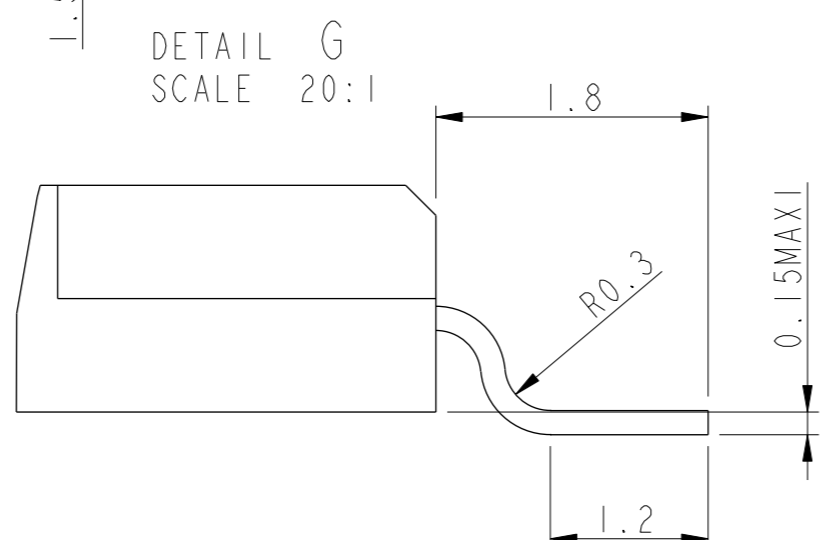
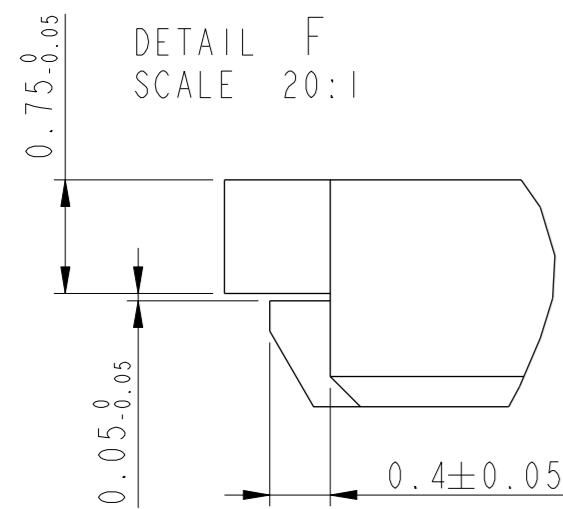
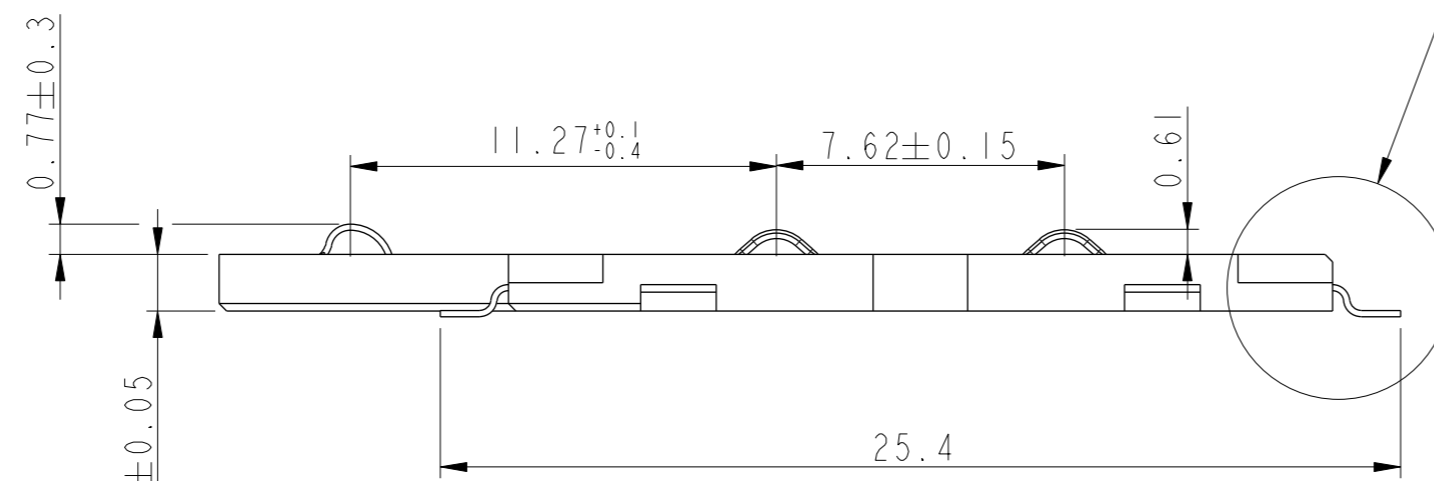
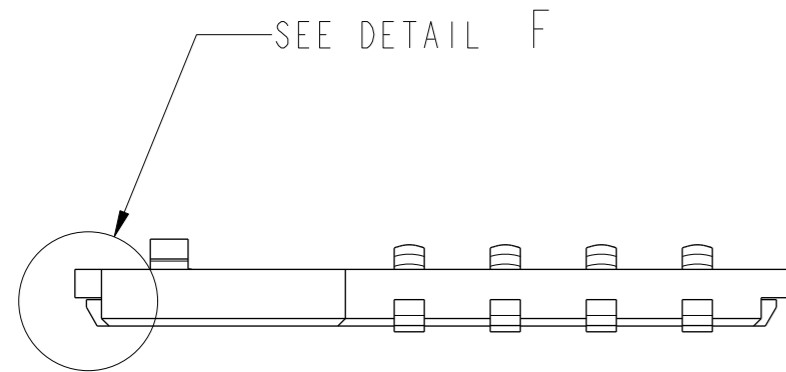
Contact Normal force : GSM 11-11 standard
 Durability : 10 000 card insertions

MATERIAL:

Housing : High Temperature Thermoplastic, colour Black, Rated UL94V0
 Contacts and switch : Copper Alloy, Thickness 0.16mm
 Plating : undercoat Ni. all over
 - Contact : Gold or Equivalent GXT over Ni on contact areas
 - Switch : Gold or Equivalent GXT over Ni on functional areas
 Bare edge allowed,
 Lead Free (Sn) on soldertails.

ENVIRONMENT:

Operating temperature : -40 °C / +90 °C
 Reflow soldering temperature for Lead Free version: see note RoHS informations



NOTE RoHS INFORMATIONS

- The "LF" products meet European Union Directives and other country regulations as described in GS-47-0004
- The housing will withstand exposure to 260°C peak temperature for 30 seconds in a convection, infra-red or vapor reflow oven. See application notes/procedures if they are available.
- Packaging spec: see GS-14-920

spec ref	-	dr	P-Mathew Nebu	2011/05/31	projection	mm	size	A2	scale	5:1
tolerance std	ISO 406 ISO 1101	eng	P-Mathew Nebu	2016/05/25	chr	-	ecn no	ELX1-24258-1		
surface	ISO 1302	appr	K-Paul Biju	2016/11/24	product family	SIM	rel level	Released		
linear	0.X ±0.3 0.XX ±0.1 0.XXX ±0.05	Amphenol FCI	S07 SERIES		cat. no.	SEE TABLE	Product - Customer Drw	sheet 1 of 1		
angular	0° ±2°									