

***RoHS Compliant***

# **Serial ATA Flash Drive**

***SFD18S6-M HighSpeed Product Specifications (Toshiba 15nm)***

**April 13, 2016**

**Version 1.0**



***Apacer Technology Inc.***

1F, No.32, Zhongcheng Rd., Tucheng Dist., New Taipei City, Taiwan, R.O.C

Tel: +886-2-2267-8000 Fax: +886-2-2267-2261

[www.apacer.com](http://www.apacer.com)

## Features:

- **Compliance with SATA Revision 3.1**
  - SATA 6.0 Gbps interface
  - Backward compatible with SATA 1.5 and 3.0 Gbps interfaces
  - ATA-8 command set
- **Capacity**
  - 32, 64, 128, 256 GB
- **Performance\***
  - Interface burst read/write: 600 MB/sec
  - Sustained read: up to 510 MB/sec
  - Sustained write: up to 350 MB/sec
  - Random read (4K): up to 82,000 IOPS
  - Random write (4K): up to 79,000 IOPS
- **Flash Management**
  - Built-in hardware ECC
  - Static/dynamic wear leveling
  - Flash bad-block management
  - S.M.A.R.T.
  - Power failure management
  - ATA secure erase
  - TRIM
- **NAND Flash Type: MLC**
- **Temperature Range**
  - Operating:
    - Standard: 0°C to 70°C
    - Extended: -40°C to 85°C
  - Storage: -40°C to 100°C
- **Supply Voltage**
  - 5.0 V  $\pm$  5%
- **Power Consumption\***
  - Active: 510 mA
  - Idle: 80 mA
- **Form Factor**
  - JEDEC MO-297
  - Dimensions (54.0 x 39.8 x 4.0, unit: mm)
- **Connector**
  - 7-pin SATA signal connector
  - 15-pin SATA power connector
- **Shock & Vibration\*\***
  - Shock: 1,500 G
  - Vibration: 15 G
- **DRAM Cache for Enhanced Random Performance**
- **SATA Power Management**
- **Device Sleep Mode (optional)**
- **RoHS Compliant**

\*Varies from capacities. The values addressed here are typical and may vary depending on settings and platforms. Power consumption results of 128/256GB were based on experimental estimations.

\*\*Non-operating

---

## Table of Contents

<b>1. Product Description .....</b>	<b>3</b>
1.1 Introduction .....	3
1.2 Capacity Specifications .....	3
1.3 Performance .....	3
1.4 Pin Assignments .....	4
<b>2. Software Interface .....</b>	<b>6</b>
2.1 Command Set .....	6
2.2 S.M.A.R.T. ....	6
<b>3. Flash Management .....</b>	<b>8</b>
3.1 Error Correction/Detection .....	8
3.2 Flash Block Management .....	8
3.3 Wear Leveling .....	8
3.4 Power Failure Management .....	8
3.5 ATA Secure Erase .....	8
3.6 TRIM .....	9
3.7 SATA Power Management .....	9
<b>4. Environment Specifications .....</b>	<b>10</b>
4.1 Environmental .....	10
4.2 Mean Time Between Failures (MTBF) .....	10
4.3 Certification and Compliance .....	10
<b>5. Electrical Characteristics .....</b>	<b>11</b>
5.1 Operating Voltage .....	11
5.2 Power Consumption .....	11
<b>6. Physical Characteristics .....</b>	<b>12</b>
6.1 Dimensions .....	12
<b>7. Product Ordering Information .....</b>	<b>13</b>
7.1 Product Code Designations .....	13
7.2 Valid Combinations .....	14

# 1. Product Description

## 1.1 Introduction

Apacer's SFD18S6-M is a well-balanced solid-state disk (SSD) drive with compact form factor and great performance. Designed in SATA 6.0 Gbps interface, the SSD is able to deliver exceptional read/write speed, making it the ideal companion for heavy-loading industrial or server operations.

For data efficiency, the internal controlling unit of the SSD is engineered with DRAM for enhanced random performance. In regard of reliability, the drive comes with various implementations including powerful hardware ECC engine, power saving modes, wear leveling, flash block management, S.M.A.R.T., TRIM, and power failure management.

## 1.2 Capacity Specifications

**Table 1-1 Capacity Specifications**

Capacity	Total Bytes	Cylinders	Heads	Sectors	Max LBA
32 GB	32,017,047,552	16,383	16	63	62,533,296
64 GB	64,023,257,088	16,383	16	63	125,045,424
128 GB	128,035,676,160	16,383	16	63	250,069,680
256 GB	256,060,514,304	16,383	16	63	500,118,192

Notes:

Display of total bytes varies from file systems.

Cylinders, heads or sectors are not applicable for these capacities. Only LBA addressing applies.

LBA count addressed in the table above indicates total user storage capacity and will remain the same throughout the lifespan of the device. However, the total usable capacity of the SSD is most likely to be less than the total physical capacity because a small portion of the capacity is reserved for device maintenance usages.

## 1.3 Performance

**Table 1-2 Performance**

Capacity	32 GB	64 GB	128 GB	256 GB
<b>Performance</b>				
<b>Sustained Read (MB/s)</b>	360	505	505	510
<b>Sustained Write (MB/s)</b>	100	205	180	350
<b>Random Read IOPS (4K)</b>	48,000	78,000	77,000	82,000
<b>Random Write IOPS (4K)</b>	24,000	49,000	44,000	79,000

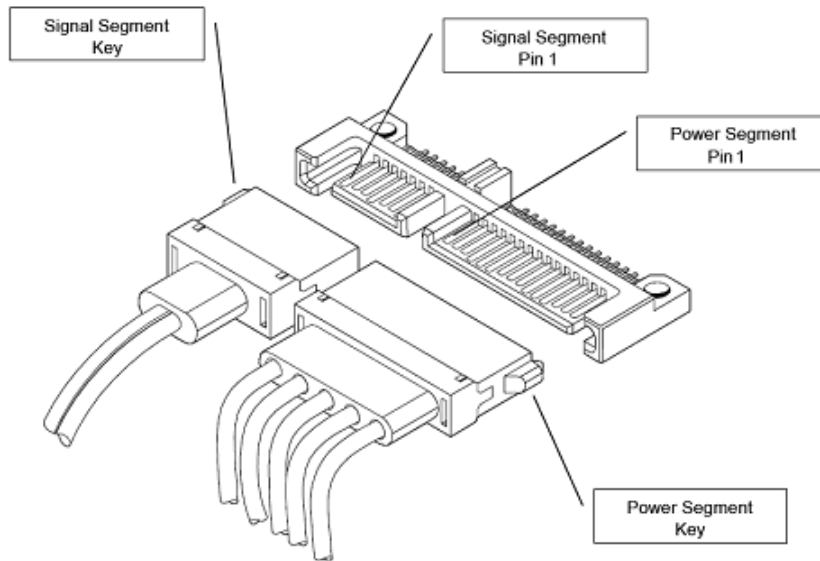
Note: Performance varies from flash configurations or host system settings.

IOPS: measured on 8GB span (16777216 sectors Disk Size), 32 Outstanding I/Os (QD=32), Full Random Data pattern, 4KB Align I/Os and test durations 15minutes.

## 1.4 Pin Assignments

Table 1-3 describes the SFD signal segment and Table1-4 for power segment.

**Figure 1-1** SATA Connectors



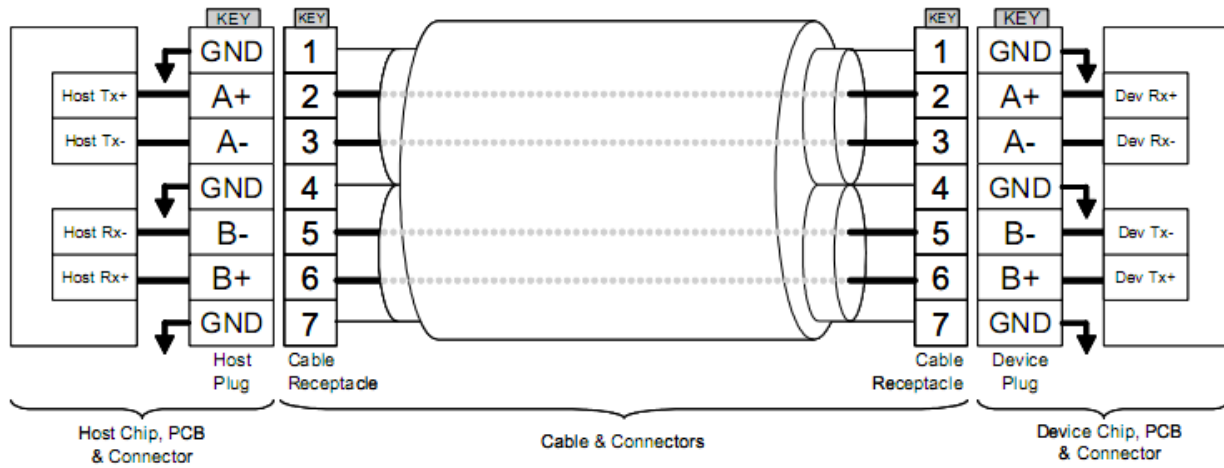
**Table 1-3** Signal Segment

Pin	Type	Description
S1	GND	
S2	RxP	+ Differential Receive
S3	RxN	- Differential Receive
S4	GND	
S5	TxN	- Differential Transmit
S6	TxP	+ Differential Transmit
S7	GND	

**Table 1-4** Power Segment

Pin	Signal/Description
Pin1	Unused (3.3V)
Pin2	Unused (3.3V)
Pin3	Unused or Device
Pin4	Ground
Pin5	Ground
Pin6	Ground
Pin7	5V
Pin8	5V
Pin9	5V
Pin10	Ground
Pin11	DAS
Pin12	Ground
Pin13	Unused (12V)
Pin14	Unused (12V)
Pin15	Unused (12V)

\*P3 can be configured as Device Sleep trigger by option



**Figure 1-2** SATA Cable/Connector Connection Diagram

The connector on the left represents the Host with TX/RX differential pairs connected to a cable. The connector on the right shows the Device with TX/RX differential pairs also connected to the cable. Notice also the ground path connecting the shielding of the cable to the Cable Receptacle.

## 2. Software Interface

### 2.1 Command Set

Table 2-1 summarizes the ATA commands supported by SFD18S6-M.

**Table 2-1** Command Set

Code	Command	Code	Command
E5h	Check Power Mode	F6h	Security Disable Password
90h	Execute Diagnostics	F3h	Security Erase Prepare
E7h	Flush Cache	F4h	Security Erase Unit
ECh	Identify Device	F5h	Security Freeze Lock
E3h	Idle	F1h	Security Set Password
E1h	Idle Immediate	F2h	Security Unlock
91h	Initialize Device Parameters	7xh	Seek
C8h	Read DMA	Efh	Set Features
25h	Read DMA EXT	C6h	Set Multiple Mode
60h	Read FPDMA Queued	E6h	Sleep
47h	Read Log DMA EXT	B0h	S.M.A.R.T.
2Fh	Read Log EXT	E2h	Standby
C4h	Read Multiple	E0h	Standby Immediate
20 or 21h	Read Sector(s)	Cah	Write DMA
40 or 41h	Read Verify Sector(s)	35h	Write DMA EXT
10h	Recalibrate	61h	Write FPDMA Queued
57h	Write Log DMA EXT	3Fh	Write Log EXT
C5h	Write Multiple	30h or 31h	Write Sector(s)

### 2.2 S.M.A.R.T.

S.M.A.R.T. is an abbreviation for Self-Monitoring, Analysis and Reporting Technology, a self-monitoring system that provides indicators of drive health as well as potential disk problems. It serves as a warning for users from unscheduled downtime by monitoring and displaying critical drive information. Ideally, this should allow taking proactive actions to prevent drive failure and make use of S.M.A.R.T. information for future product development reference.

Apacer devices use the standard SMART command B0h to read data out from the drive to activate our S.M.A.R.T. feature that complies with the ATA/ATAPI specifications. S.M.A.R.T. Attribute IDs shall include initial bad block count, total later bad block count, maximum erase count, average erase count, power on hours and power cycle. When the S.M.A.R.T. Utility running on the host, it analyzes and reports the disk status to the host before the device reaches in critical condition.

Note: Attribute IDs may vary from product models due to various solution design and supporting capabilities.

# Serial ATA Flash Drive APS186XxxxG-6XTM1GX



Apacer memory products come with S.M.A.R.T. commands and subcommands for users to obtain information of drive status and to predict potential drive failures. Users can take advantage of the following commands/subcommands to monitor the health of the drive.

Code	SMART Subcommand
D0h	READ DATA
D1h	READ ATTRIBUTE THRESHOLDS
D2h	Enable/Disable Attribute Autosave
D4h	Execute Off-line Immediate
D5h	Read Log (optional)
D6h	Write Log (optional)
D8h	Enable Operations
D9h	Disable operations
DAh	Return Status

### General SMART attribute structure

Byte	Description
0	ID (Hex)
1 – 2	Status flag
3	Value
4	Worst
5*-11	Raw Data

\*Byte 5: LSB

### SMART attribute ID list

ID (Hex)	Attribute Name
9 (0x09)	Power-on hours
12 (0x0C)	Power cycle count
163 (0xA3)	Max. erase count
164 (0xA4)	Avg. erase count
166 (0xA6)	Total later bad block count
167 (0xA7)	SSD Protect Mode (vendor specific)
168 (0xA8)	SATA PHY Error Count
175 (0xAF)	Bad Cluster Table Count
192 (0xC0)	Unexpected Power Loss Count
194 (0xC2)	Temperature
241 (0xF1)	Total sectors of write



---

## 3. Flash Management

### 3.1 Error Correction/Detection

---

SFD18S6-M implements a hardware ECC scheme, based on the BCH algorithm. It can detect and correct up to 40 bits error in 1K bytes.

### 3.2 Flash Block Management

---

Current production technology is unable to guarantee total reliability of NAND flash memory array. When a flash memory device leaves factory, it comes with a minimal number of initial bad blocks during production or out-of-factory as there is no currently known technology that produce flash chips free of bad blocks. In addition, bad blocks may develop during program/erase cycles. When host performs program/erase command on a block, bad block may appear in Status Register. Since bad blocks are inevitable, the solution is to keep them in control. Apacer flash devices are programmed with ECC, block mapping technique and S.M.A.R.T to reduce invalidity or error. Once bad blocks are detected, data in those blocks will be transferred to free blocks and error will be corrected by designated algorithms.

### 3.3 Wear Leveling

---

Flash memory devices differ from Hard Disk Drives (HDDs) in terms of how blocks are utilized. For HDDs, when a change is made to stored data, like erase or update, the controller mechanism on HDDs will perform overwrites on blocks. Unlike HDDs, flash blocks cannot be overwritten and each P/E cycle wears down the lifespan of blocks gradually. Repeatedly program/erase cycles performed on the same memory cells will eventually cause some blocks to age faster than others. This would bring flash storages to their end of service term sooner. Wear leveling is an important mechanism that level out the wearing of blocks so that the wearing-down of blocks can be almost evenly distributed. This will increase the lifespan of SSDs. Commonly used wear leveling types are Static and Dynamic.

### 3.4 Power Failure Management

---

Power Failure Management plays a crucial role when experiencing unstable power supply. Power disruption may occur when users are storing data into the SSD. In this urgent situation, the controller would run multiple write-to-flash cycles to store the metadata for later block rebuilding. This urgent operation requires about several milliseconds to get it done. At the next power up, the firmware will perform a status tracking to retrieve the mapping table and resume previously programmed NAND blocks to check if there is any incompleteness of transmission.

Note: The controller unit of this product model is designed with a DRAM as a write cache for improved performance and data efficiency. Though unlikely to happen in most cases, the data cached in the volatile DRAM might be potentially affected if a sudden power loss takes place before the cached data is flushed into non-volatile NAND flash memory.

### 3.5 ATA Secure Erase

---

ATA Secure Erase is an ATA disk purging command currently embedded in most of the storage drives. Defined in ATA specifications, (ATA) Secure Erase is part of Security Feature Set that allows storage drives to erase all user data areas. The erase process usually runs on the firmware level as most of the ATA-based storage media currently in the market are built-in with this command. ATA Secure Erase can securely wipe out the user data in the drive and protects it from malicious attack.

---

## 3.6 TRIM

---

TRIM is a SATA command that helps improve the read/write performance and efficiency of solid-state drives (SSD). The command enables the host operating system to inform SSD controller which blocks contain invalid data, mostly because of the erase commands from host. The invalid will be discarded permanently and the SSD will retain more space for itself.

## 3.7 SATA Power Management

---

By complying with SATA 6.0 Gb/s specifications, the SSD supports the following SATA power saving modes:

- ACTIVE: PHY ready, full power, Tx & Rx operational
- PARTIAL: Reduces power, resumes in under 10  $\mu$ s (microseconds)
- SLUMBER: Reduces power, resumes in under 10 ms (milliseconds)
- HIPM: Host-Initiated Power Management
- DIPM: Device-Initiated Power Management
- AUTO-SLUMBER: Automatic transition from partial to slumber.
- Device Sleep (DevSleep or DEVSLP): PHY powered down; power consumption  $\leq$  5 mW; host assertion time  $\leq$  10 ms; exit timeout from this state  $\leq$  20 ms (unless specified otherwise in SATA Identify Device Log).

Note:

1. The behaviors of power management features would depend on host/device settings.
2. Device Sleep mode is optional, depending on product ordering selections.

---

## 4. Environment Specifications

### 4.1 Environmental

---

SFD18S6-M environmental specifications follow the US military standards, shown in the table below.

**Table 4-1** Environmental Specifications

Environment	Specifications
Temperature	0°C to 70°C (Standard); -40°C to 85°C (Extended)
	-40°C to 100°C (Non-operating)
Vibration	Non-operating: Sine wave, 15(G), 10~2000(Hz), Operating: Random, 7.69(Grms), 20~2000(Hz)
Shock	Non-operating: Acceleration, 1,500 G, 0.5 ms Operating: Peak acceleration, 50 G, 11 ms

### 4.2 Mean Time Between Failures (MTBF)

---

Mean Time Between Failures (MTBF) is predicted based on reliability data for the individual components in SFD drive. The prediction result for the SFD18S6-M is more than 1,000,000 hours.

Note: The MTBF is predicated and calculated based on "Telcordia Technologies Special Report, SR-332, Issue 2" method.

### 4.3 Certification and Compliance

---

SFD18S6-M complies with the following standards:

- CE
- FCC
- RoHS
- MIL-STD-810F

---

## 5. Electrical Characteristics

### 5.1 Operating Voltage

---

Table 5-1 lists the supply voltage for SFD18S6-M.

Table 5-1 Operating Voltage

Parameter	Conditions
Supply voltage	5V $\pm$ 5% ( 4.75-5.25 V)

### 5.2 Power Consumption

---

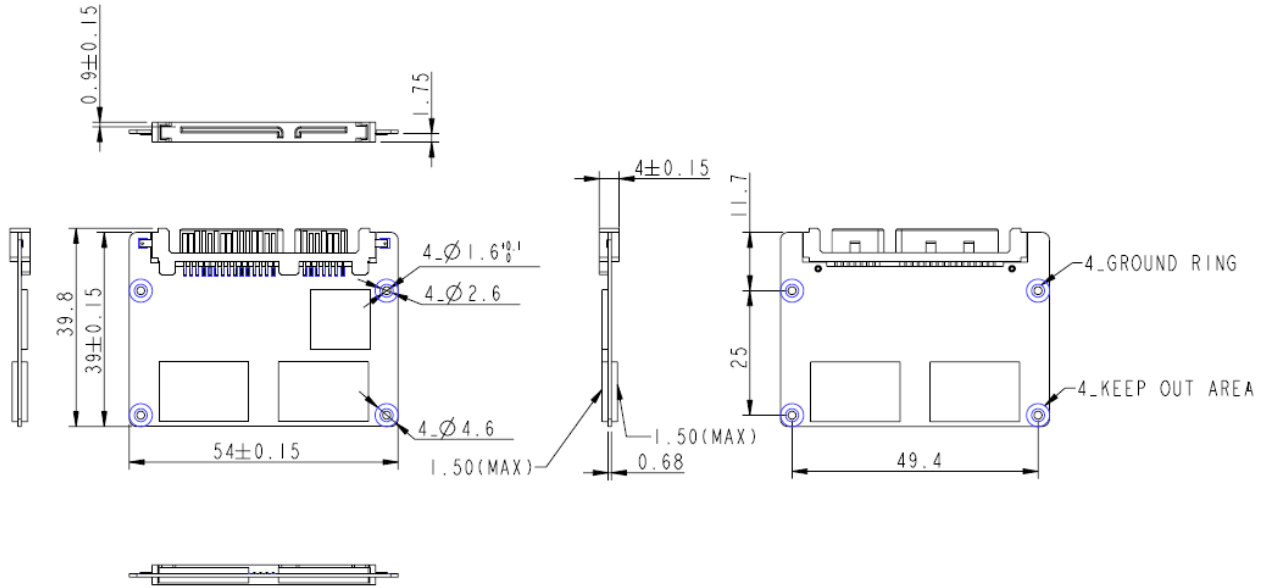
Table 5-2 Power Consumption

Mode \ Capacity	32 GB	64 GB	128 GB	256 GB
Active (mA)	230	310	330	510
Idle (mA)	80	80	80	80

Note: Power consumptions may vary depending on settings and platforms

## 6. Physical Characteristics

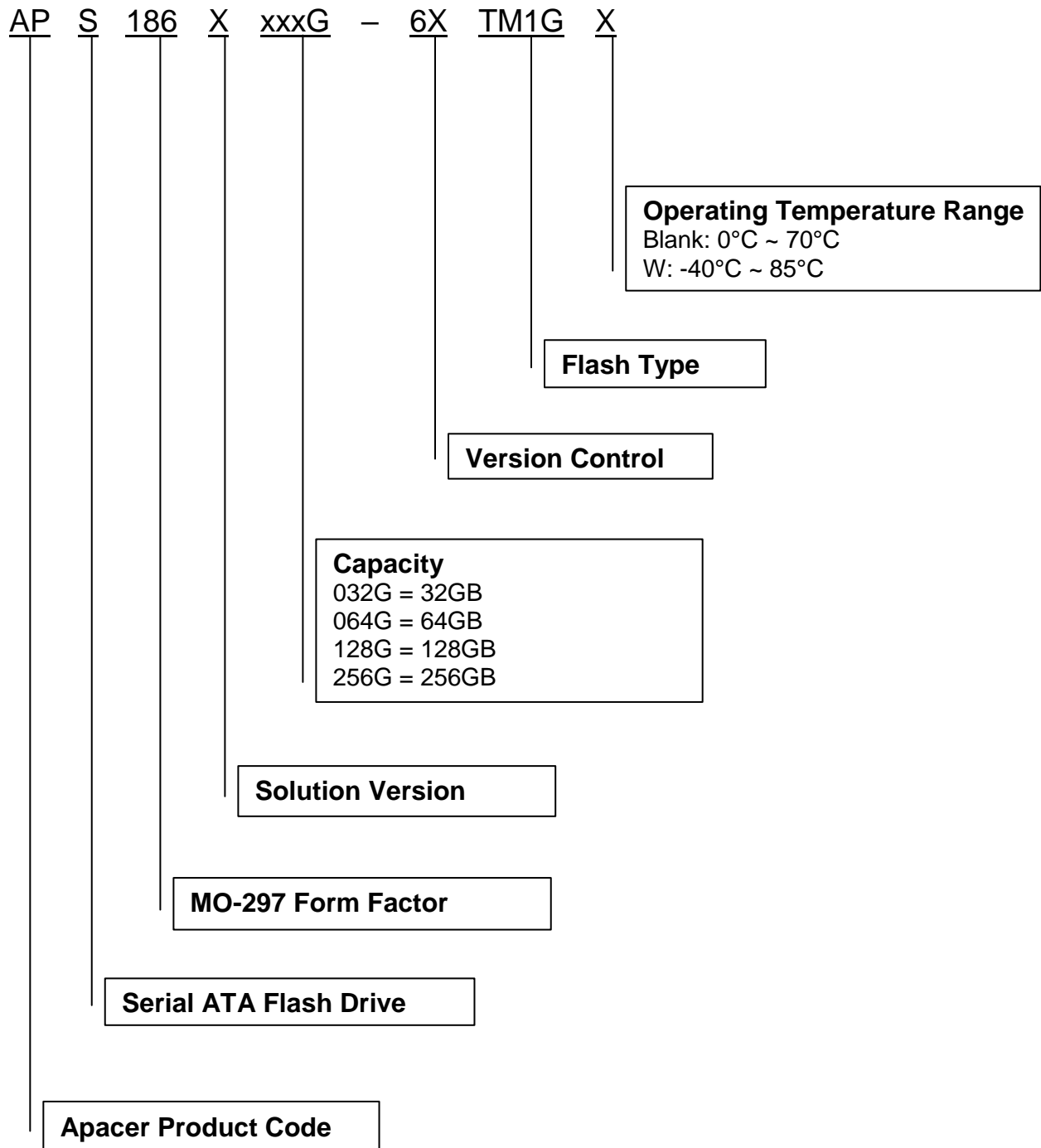
### 6.1 Dimensions



Unit: mm  
Tolerance:  $\pm 0.2$

## 7. Product Ordering Information

### 7.1 Product Code Designations



---

## 7.2 Valid Combinations

---

### 7.2.1 Standard Temperature (0°C ~ 70°C)

Capacity	NO DEVSLP	DEVSLP
32GB	APS1867032G-6ATM1G	APS1867032G-6BTM1G
64GB	APS1867064G-6ATM1G	APS1867064G-6BTM1G
128GB	APS1867128G-6ATM1G	APS1867128G-6BTM1G
256GB	APS1867256G-6ATM1G	APS1867256G-6BTM1G

### 7.2.2 Extended Temperature (-40°C ~ 85°C)

Capacity	NO DEVSLP	DEVSLP
32GB	APS1867032G-6ATM1GW	APS1867032G-6BTM1GW
64GB	APS1867064G-6ATM1GW	APS1867064G-6BTM1GW
128GB	APS1867128G-6ATM1GW	APS1867128G-6BTM1GW
256GB	APS1867256G-6ATM1GW	APS1867256G-6BTM1GW

**Note:** Valid combinations are those products in mass production or will be in mass production. Consult your Apacer sales representative to confirm availability of valid combinations and to determine availability of new combinations.

---

## Revision History

Revision	Description	Date
1.0	Official release	4/13/2016



---

## Global Presence

### Taiwan (Headquarters)

**Apacer Technology Inc.**  
1F., No.32, Zhongcheng Rd., Tucheng Dist.,  
New Taipei City 236, Taiwan R.O.C.  
Tel: 886-2-2267-8000  
Fax: 886-2-2267-2261  
[amtsales@apacer.com](mailto:amtsales@apacer.com)

### U.S.A.

**Apacer Memory America, Inc.**  
386 Fairview Way, Suite102,  
Milpitas, CA 95035  
Tel: 1-408-518-8699  
Fax: 1-408-935-9611  
[sa@apacerus.com](mailto:sa@apacerus.com)

### Japan

**Apacer Technology Corp.**  
5F, Matsura Bldg., Shiba, Minato-Ku  
Tokyo, 105-0014, Japan  
Tel: 81-3-5419-2668  
Fax: 81-3-5419-0018  
[jpservices@apacer.com](mailto:jpservices@apacer.com)

### Europe

**Apacer Technology B.V.**  
Science Park Eindhoven 5051 5692 EB Son,  
The Netherlands  
Tel: 31-40-267-0000  
Fax: 31-40-267-0000#6199  
[sales@apacer.nl](mailto:sales@apacer.nl)

### China

**Apacer Electronic (Shanghai) Co., Ltd**  
1301, No.251,Xiaomuqiao Road, Shanghai,  
200032, China  
Tel: 86-21-5529-0222  
Fax: 86-21-5206-6939  
[sales@apacer.com.cn](mailto:sales@apacer.com.cn)

### India

**Apacer Technologies Pvt Ltd,**  
# 535, 1st Floor, 8th cross, JP Nagar 3rd Phase,  
Bangalore – 560078, India  
Tel: 91-80-4152-9061  
[sales\\_india@apacer.com](mailto:sales_india@apacer.com)