

**ebm-papst St. Georgen GmbH & Co. KG**

Hermann-Papst-Str. 1  
 D-78112 St. Georgen  
 Phone +49 (0) 7724 81-0  
 Fax +49 (0) 7724 81-1309  
 info2@de.ebmpapst.com  
 www.ebmpapst.com

**Nominal data**

Type	255 N	
Nominal voltage	VDC	5
Nominal voltage range	VDC	4.5 .. 5.5
Speed (rpm)	min <sup>-1</sup>	9600
Power consumption	W	0.4
Min. ambient temperature	°C	-10
Max. ambient temperature	°C	70
Air flow	m <sup>3</sup> /h	3.5
Sound power level	B	<3
Sound pressure level	dB(A)	16

ml = Max. load · me = Max. efficiency · fa = Free air · cs = Customer specification · ce = Customer equipment  
 Subject to change

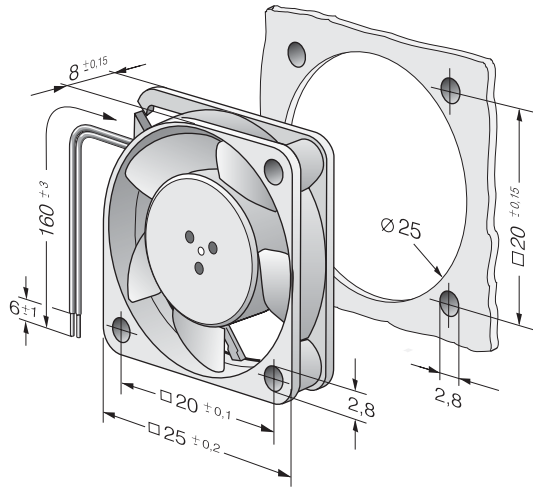


**Technical description**

<b>Weight</b>	0.005 kg
<b>Dimensions</b>	25 x 25 x 8 mm
<b>Impeller material</b>	Glass-fiber reinforced PA plastic
<b>Housing material</b>	Glass-fiber reinforced PBT plastic
<b>Airflow direction</b>	Exhaust over struts
<b>Direction of rotation</b>	Counterclockwise, viewed toward rotor
<b>Storage</b>	Sintec sleeve bearing system
<b>Service life L10 at 20 °C</b>	40000 h
<b>Service life L10 at 60 °C</b>	15000 h
<b>Cable</b>	Leads AWG 28, TR 64, stripped and tin-plated
<b>Motor protection</b>	Protection against reverse polarity and blocked rotor.
<b>Approval</b>	VDE, CSA, UL, CE
<b>Option</b>	Possible custom designs; Speed signal Moisture protection



## Product drawing



## Curves: Air performance

