

83800 with plug-in body Top-mounted plunger Part number 83800101



- Thermoplastic case
- Compact dimensions

Part numbers

	Type	Housing	Features
83 800 101	Top-mounted plunger	Thermoplastic	Plug-in body

Specifications

Conformity to standards	NFC 20030 class I IEC 356.1 - EN 60204.1
Version	

Electrical characteristics

Assigned insulation voltage U_i (V)	250
Thermal current I (A)	10
Assigned operating current (Ie)	5

Connections

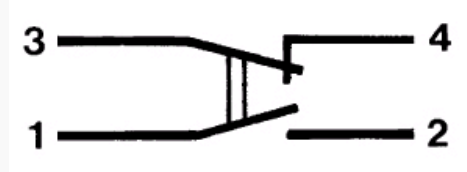
Cable	On connector : W1 screw terminals - max. wire cross-section 2.5 mm ²
Connection	For No. 9 sealing gland, 15.2 Ø, 1.411 pitch
Approvals	UL/CSA please consult us

Minimum operating force (N)	10
Minimum total travel force (N)	22
Minimum operating travel (mm)	1,5
Differential travel (mm)	0,4
Maximum total travel (mm)	5
Mechanical life (millions of operations) mini.	10 ⁷
Operating temperature (°C)	-10 → +70
Protection rating	IP65
Weight (g)	50

Accessories

Description	Code
Galvanized, passivated steel lever Thermoplastic roller Supplied with nut, washer and locating block loose	83 803 0

Principles



Function

Four-terminal double break two-way contact element (form Za). The contacts must be of the same polarity.

Principles



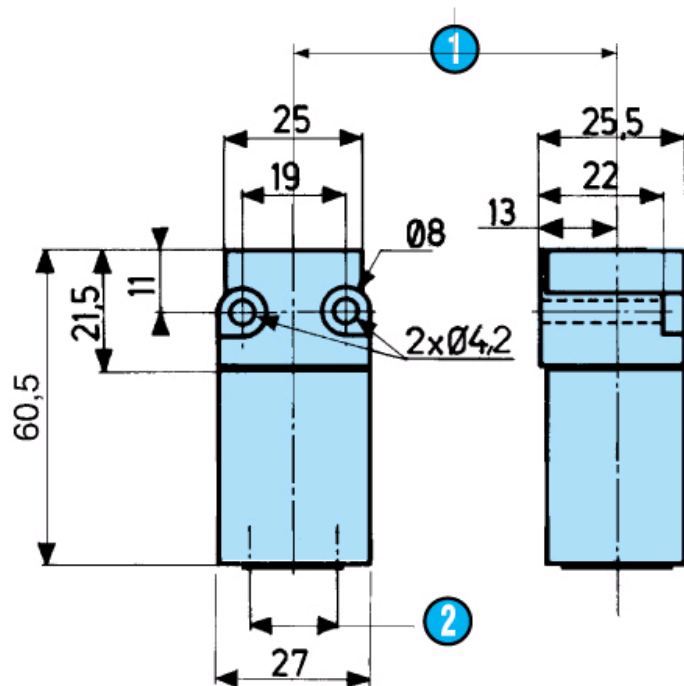
Function

Four-terminal double break two-way contact element (form Za). The contacts must be of the same polarity.

Dimensions (mm)

Product

Casing

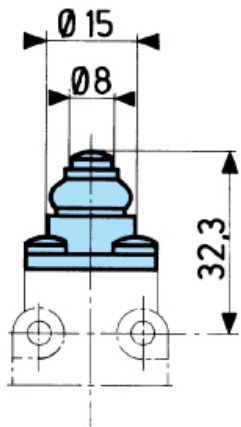


N°	Legend
1	Axis of head rotation
2	For No. 9 sealing gland

Dimensions (mm)

Product

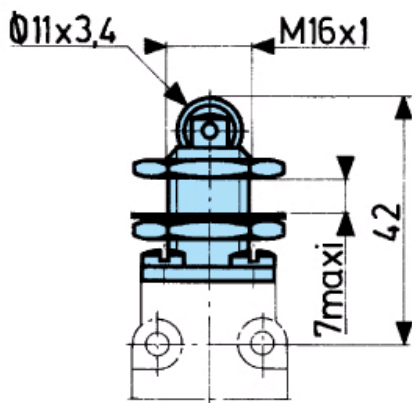
83 800 1



Dimensions (mm)

Product

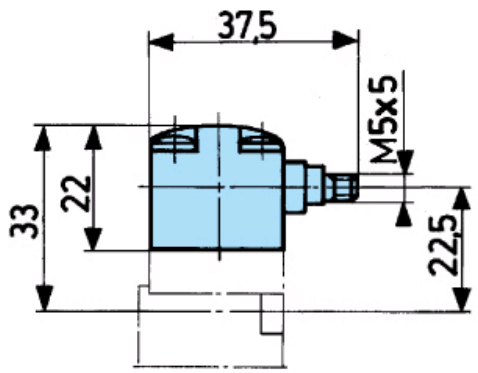
83 802



Dimensions (mm)

Product

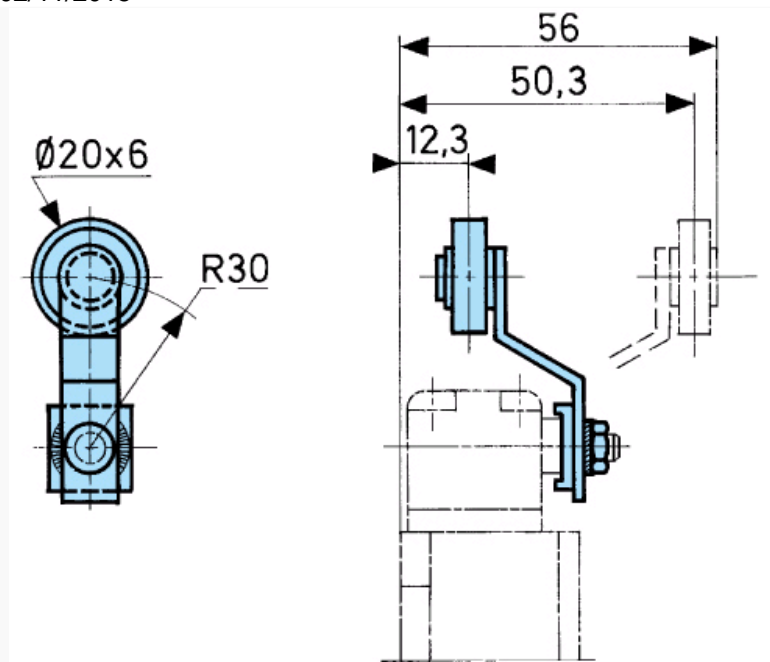
83 803



Dimensions (mm)

Actuators

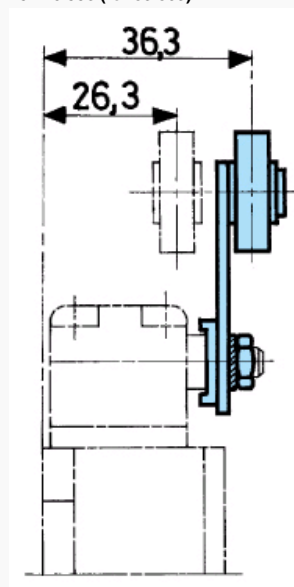
79 210 997 (for 83 803)



Dimensions (mm)

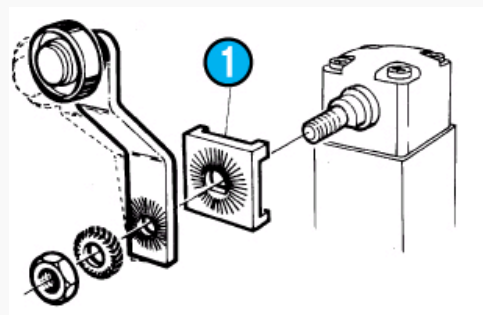
Actuators

79 210 998 (for 83 803)



Dimensions (mm)

Actuators

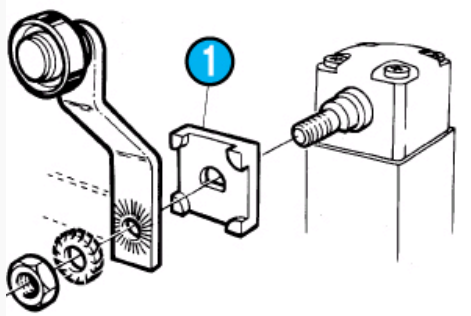


Lever settings or positions dictated by direction in which block 1 is fitted

N°	Legend
1	Block 1

Dimensions (mm)

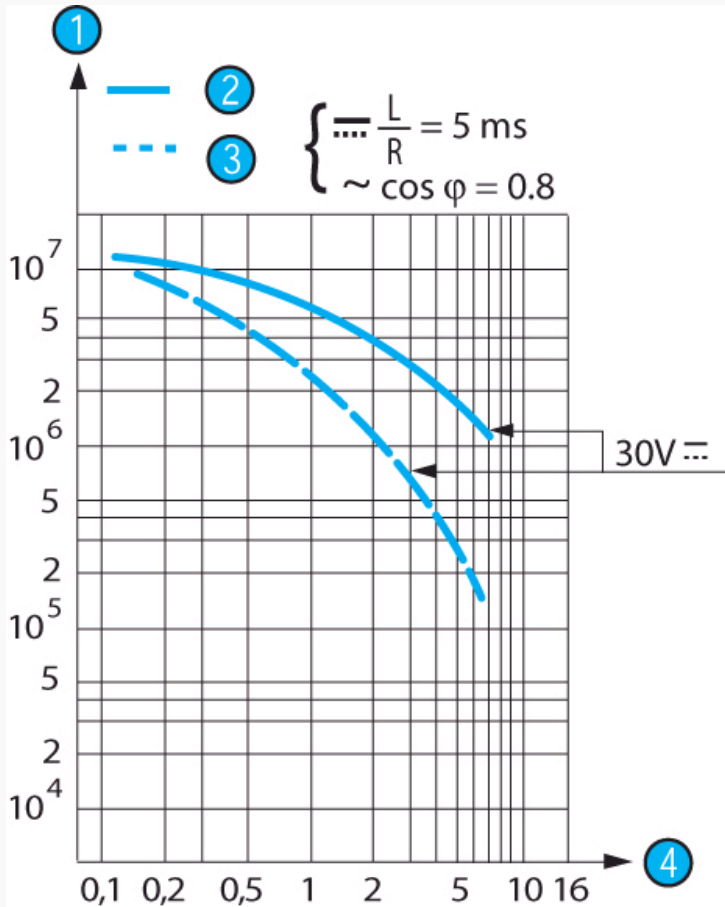
Actuators



Lever settings or positions dictated by direction in which block 1 is fitted

N°	Legend
1	Block 1

Curves



N° 2-3	Legend
1	Number of operations
2	Resistive circuit
3	Inductive circuit

**Other information****Accessories for 83 803**

Galvanized, passivated steel lever
Thermoplastic roller
Supplied with nut, washer and locating block loose