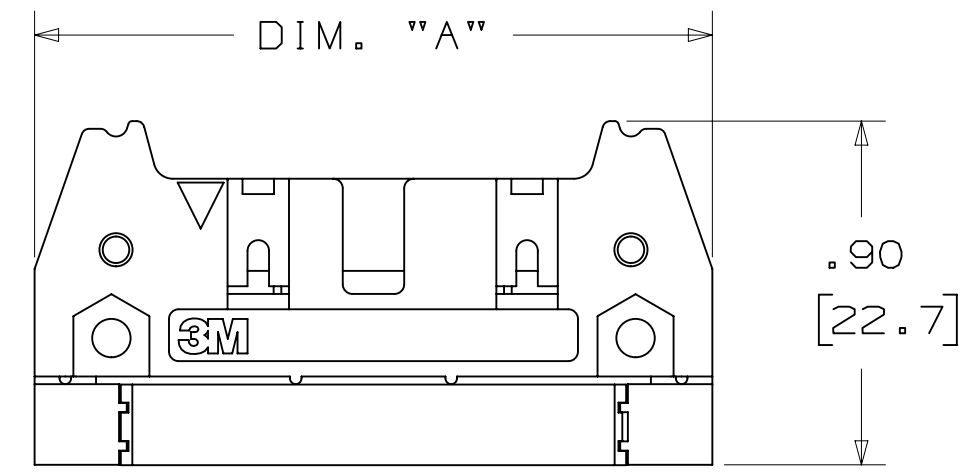
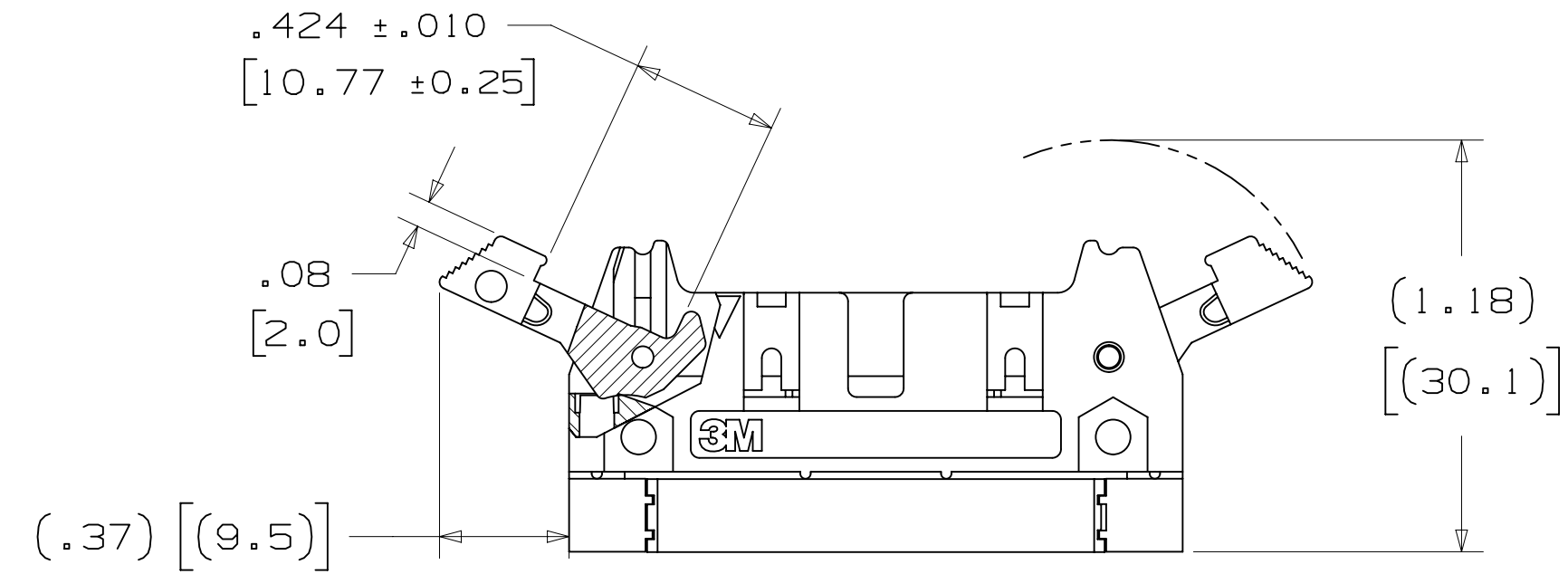


3M™ FOUR-WALL CONDO HEADER, 3000 SERIES

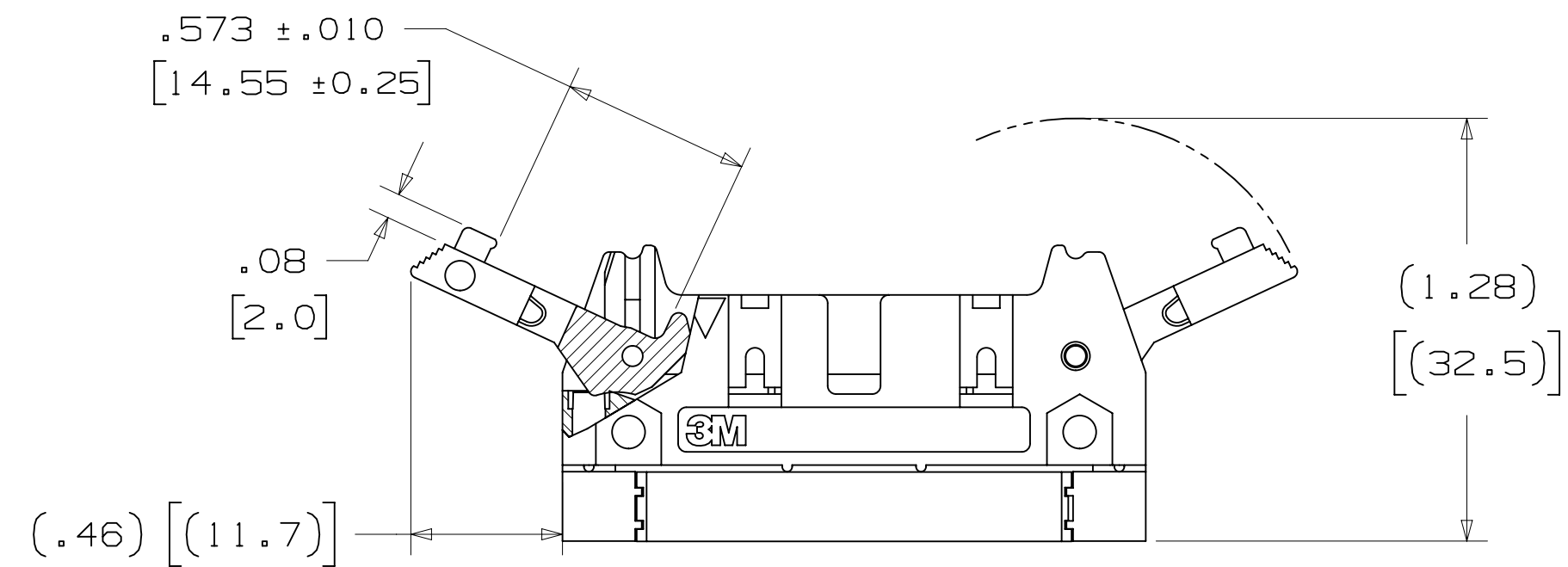
.100" X .100" LATCH/EJECTOR, RIGHT ANGLE



-L00X
HEADER WITHOUT LATCH EJECTOR



-L20X
HEADER WITH SHORT LATCH EJECTOR
FOR 3M SOCKETS WITHOUT STRAIN RELIEF



-L30X
HEADER WITH LONG LATCH EJECTOR
FOR 3M SOCKETS WITH STRAIN RELIEF

- * STACKED PINS CONSERVE SPACE ON THE CIRCUIT BOARD ALLOWING HIGHER DENSITY PACKAGING.
- * PIN QUANTITY TO 128 GIVES DESIGN FLEXIBILITY WITH LATCHING.
- * "HDI" ALTERNATIVE.
- * ACCEPTS STANDARD IDC SOCKETS.
- * MATES WITH STANDARD FLAT CABLE HARNESSSES.
- * HIGH TEMPERATURE INSULATOR SUITABLE FOR "NO LEAD" SOLDERING OPERATIONS.
- * SUITABLE FOR REFLOW SOLDERING USING "PASTE IN HOLE" TECHNIQUES.

2 PHYSICAL :

INSULATOR: GLASS FILLED POLYESTER (PCT)
 MATERIAL: UL94V-0
 FLAMMABILITY: BLACK
 COLOR: COPPER ALLOY
 CONTACT: 100μ" [2.54μm] NICKEL-OVERALL
 PLATING: 30μ" [0.76μm] AVG. GOLD
 UNDER PLATING: 200μ" [5.08μm] TIN LEAD OR MATTE TIN (SEE ORDERING INFORMATION)
 WIPING AREA: 3M LOGO, PART IDENTIFICATION NUMBER AND ORIENTATION TRIANGLE
 MARKINGS:

2 ELECTRICAL :

CURRENT RATING: 1A (EIA 364-70)
 INSULATION RESISTANCE: >1 X 10⁹Ω AT 500 V_{DC}
 WITHSTANDING VOLTAGE: 1,000V_{RMS} AT SEA LEVEL

2 ENVIRONMENTAL :

TEMPERATURE RATING: -55°C TO 105°C
 PROCESS RATING: 260°C, PER J-STD-020C, SINGLE PASS
 MOISTURE SENSITIVITY LEVEL: 1 (PER J-STD-020C)

- NOTES
- REGULATORY INFORMATION: ROHS COMPLIANT. SEE THE REGULATORY INFORMATION APPENDIX (RIA) IN THE "ROHS COMPLIANCE" SECTION OF WWW.3MCONNECTORS.COM FOR COMPLIANCE INFORMATION.
 - IN THE EVENT OF CONFLICT BETWEEN THIS DATA AND THAT CONTAINED IN THE PRODUCT SPECIFICATION, THE PRODUCT SPECIFICATION TAKES PRECEDENT.
 - NOTCHES A & C WILL ACCOMODATE 3M POLARIZING KEY: N3518.
 - MOUNTING HARDWARE: FROM SOLDER SIDE OF PC BOARD USE #4-24 THREAD CUTTING SCREW (3M PART #3341-5) AND Ø.116 [2.95] MOUNTING HOLE.

ORDERING INFORMATION

X3XXX-LXXXXX

N= HIGH TEMP BLACK (PCT)/(RB PLATING REQ'D)
 BLANK= (UB PLATING)

3M PART NUMBER:
 (SEE TABLE 1)

LATCH/EJECTOR SYSTEM:
 0 = NO LATCH/EJECTOR INSTALLED
 2 = SHORT ROLL PIN LATCH/EJECTORS
 3 = LONG ROLL PIN LATCH/EJECTORS

PLATING:
 RB = 30μ" [0.76μm] GOLD AND 200μ" [5.08μm] MATTE TIN
 (APP. E1 & C1 APPLY)
 UB = 30μ" [0.76μm] GOLD AND 200μ" [5.08μm]
 TIN LEAD (APP. E3 & C2 APPLY)

TAIL:
 02 = FOR .062 [1.57] THICK BOARD
 03 = FOR .094 TO .125 [2.39 TO 3.18] THICK BOARD

3M ELECTRONIC MATERIALS SOLUTIONS DIVISION
 INTERCONNECT SOLUTIONS
<http://www.3mconnectors.com>

3M IS A TRADEMARK OF 3M COMPANY.
 FOR TECHNICAL, SALES OR ORDERING
 INFORMATION CALL 800-225-5373

3M US
 UL FILE NO: E68080

DIMENSIONS: INCHES [MM]
 [MM] IS REF. ONLY

DESIGN REFERENCE	NEXT ASSEMBLY	REV	ECO	ISSUE DATE AND DESCRIPTION	DRFT	CHKD																					
DESIGN CODES		CASTIGLIONE	AUG 05, 2014	MFG																							
		CHKD		DATE	DATE																						
				R. SCHERER	SEP 05, 2014																						
DIVISION	Interconnect Solutions	DIVISION CODE	EMSD	© 3M COPYRIGHT 2015 This document and the information it contains are 3M property and may not be reproduced or further distributed without 3M permission, or used or disclosed other than for 3M authorized purposes. All rights reserved.																							
DO NOT SCALE DRAWING	SCALE 1	TOLERANCES EXCEPT AS NOTED	<table border="0"> <tr><td>INCHES</td><td>.0</td><td>± .01</td></tr> <tr><td></td><td>.000</td><td>± .005</td></tr> <tr><td></td><td>.0000</td><td>±</td></tr> <tr><td>MILLIMETERS</td><td>0</td><td>±</td></tr> <tr><td></td><td>.0</td><td>± .3</td></tr> <tr><td></td><td>.00</td><td>± .13</td></tr> <tr><td></td><td>.000</td><td>±</td></tr> </table>				INCHES	.0	± .01		.000	± .005		.0000	±	MILLIMETERS	0	±		.0	± .3		.00	± .13		.000	±
INCHES	.0	± .01																									
	.000	± .005																									
	.0000	±																									
MILLIMETERS	0	±																									
	.0	± .3																									
	.00	± .13																									
	.000	±																									
THIRD ANGLE PROJECTION	INTERPRET PER ASME Y14.5 - 2009	MAX SURFACE ROUGHNESS	<table border="0"> <tr><td>DTX SURFACES</td><td>✓</td></tr> <tr><td>MARKED ONLY</td><td>☐</td></tr> </table>				DTX SURFACES	✓	MARKED ONLY	☐																	
DTX SURFACES	✓																										
MARKED ONLY	☐																										
TITLE		HEADER, 4-WALL, CONDO, .100 X .100 LATCH/EJECTOR, RA																									
CAGE NUMBER	SIZE	DRAWING NO.	REV.																								
D		78-5100-0774-9	K																								
MODEL	3000 SERIES	DET	ISTS	YES	NO	SHT 1 OF 3																					

78-5100-0774-9 K REVISION
 12:57 PM UTC-06:00
 Imaged: K.1 3/6/2015

3M™ FOUR-WALL CONDO HEADER, 3000 SERIES

.100" X .100" LATCH/EJECTOR, RIGHT ANGLE

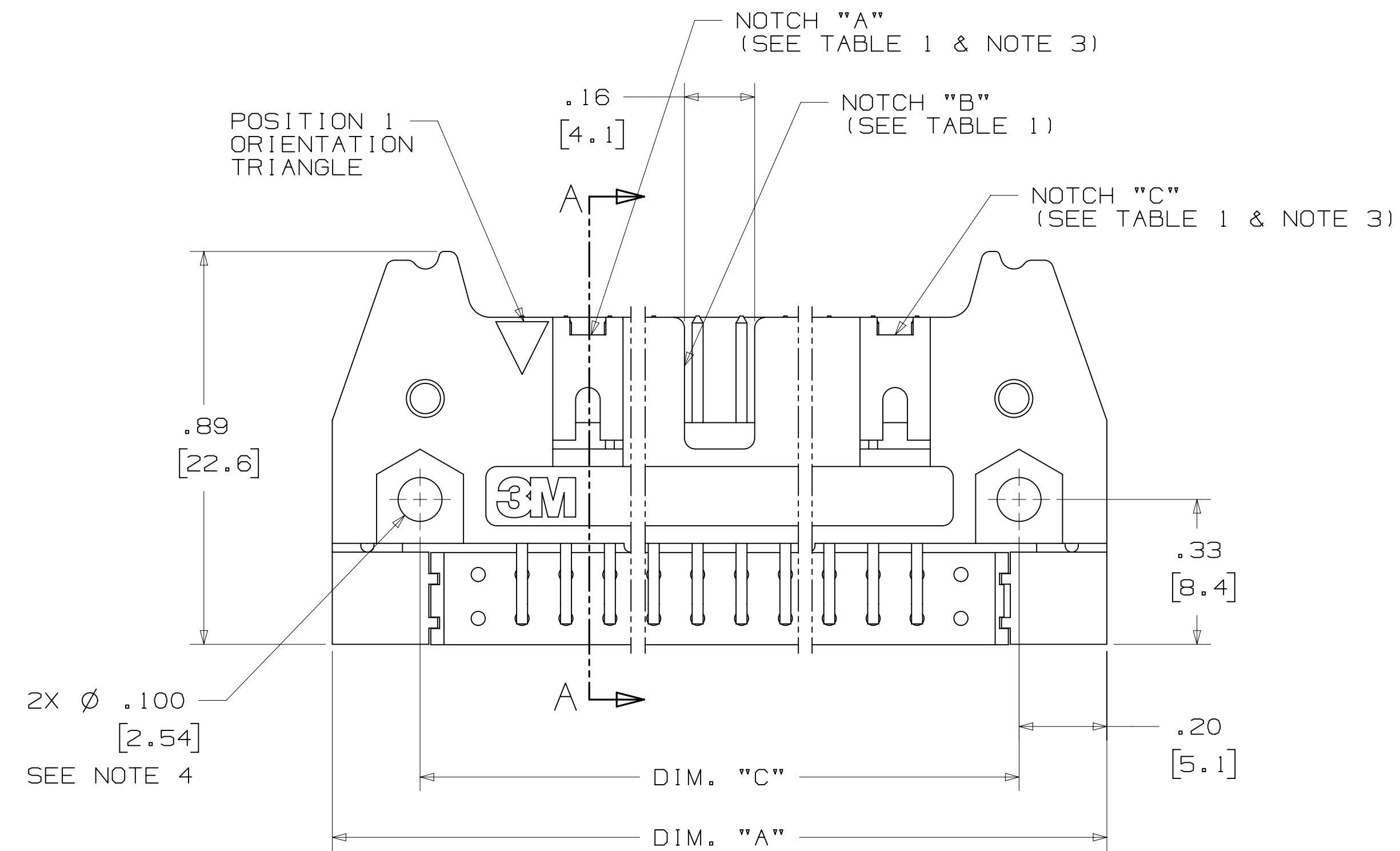
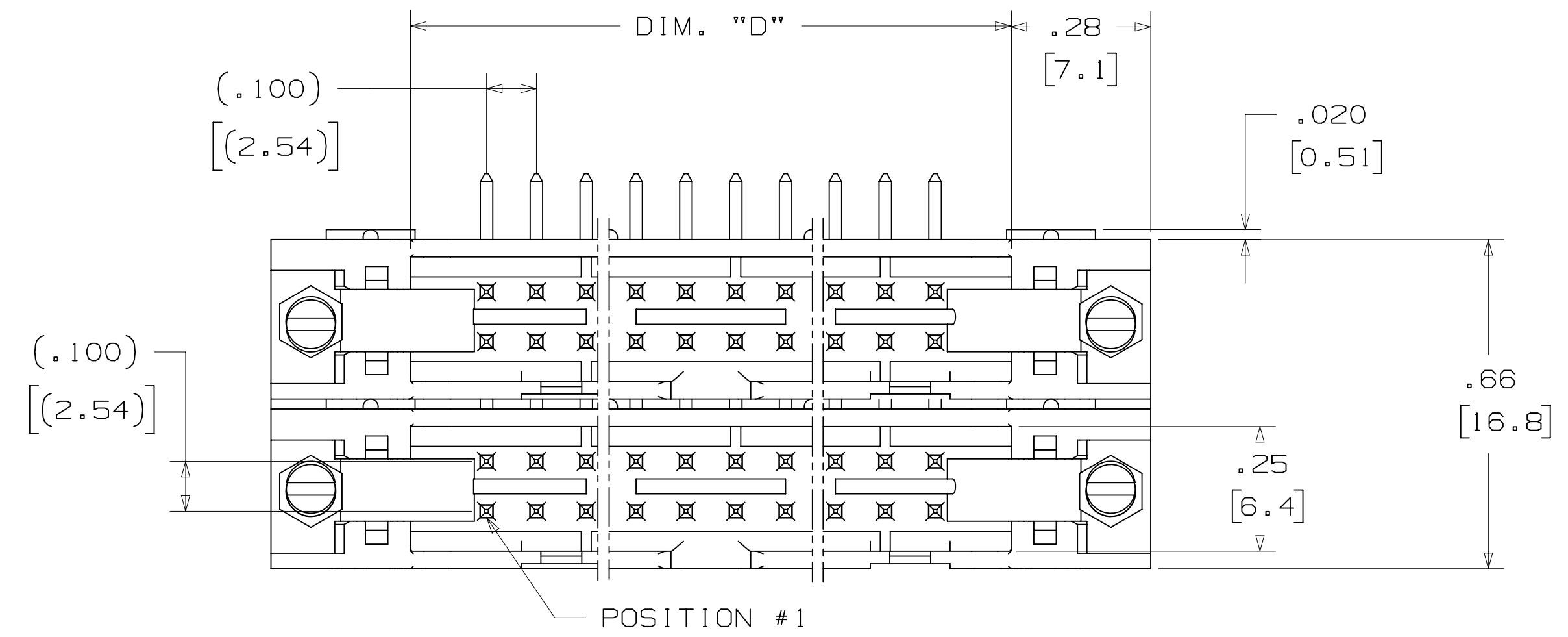
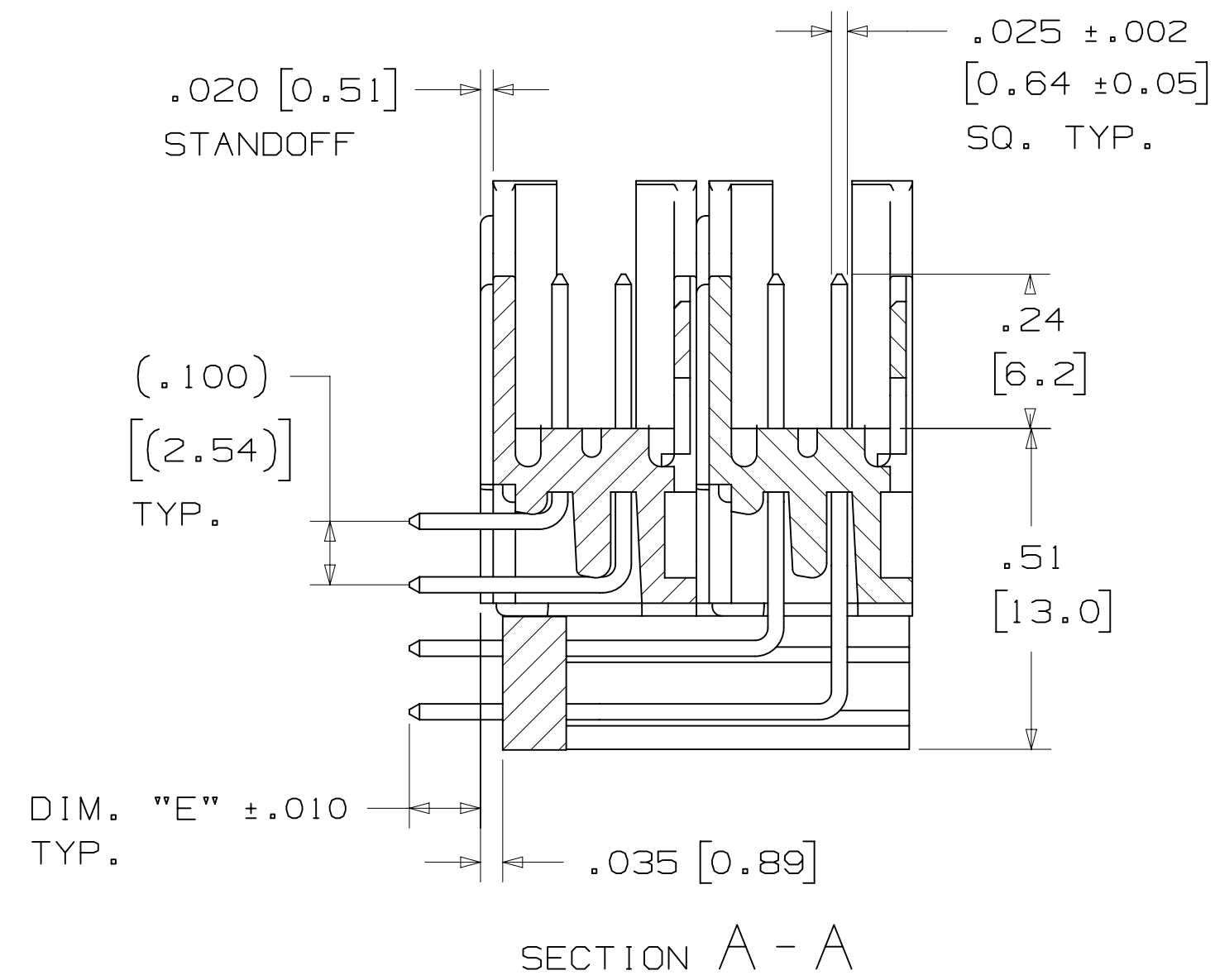


TABLE 1						
PIN QTY.	3M PART NUMBER	DIM. "A"	DIM. "C"	DIM. "D"	POLARIZING NOTCHES	PIN QTY.
20	3793	1.26 [32.1]	.865 [21.97]	.71 [18.0]	BC	20
28	3314	1.46 [37.2]	1.065 [27.05]	.91 [23.1]	BC	28
32	3408	1.56 [39.7]	1.165 [29.59]	1.01 [25.6]	ABC	32
40	3428	1.76 [44.8]	1.365 [34.67]	1.21 [30.7]	ABC	40
48	3627	1.96 [49.9]	1.565 [39.75]	1.41 [35.8]	ABC	48
52	3429	2.06 [52.4]	1.665 [42.29]	1.51 [38.3]	ABC	52
60	3440	2.26 [57.5]	1.865 [47.37]	1.71 [43.4]	ABC	60
68	3431	2.46 [62.6]	2.065 [52.45]	1.91 [48.5]	ABC	68
80	3432	2.76 [70.2]	2.365 [60.07]	2.21 [56.1]	ABC	80
100	3433	3.26 [82.9]	2.865 [72.77]	2.71 [68.8]	ABC	100
120	3372	3.76 [95.6]	3.365 [85.47]	3.21 [81.5]	ABC	120
128	3764	3.96 [100.7]	3.565 [90.55]	3.41 [86.6]	ABC	128

TABLE 2		
3M PART NUMBER SUFFIX	CONTACT TAIL	DIM. "E"
-XX02	02	.112 [2.84]
-XX03	03	.155 [3.94]

NOTE:
 .112 [2.84] TAIL LENGTH SUITABLE FOR
 .062 [1.57] THICK PC BOARD.

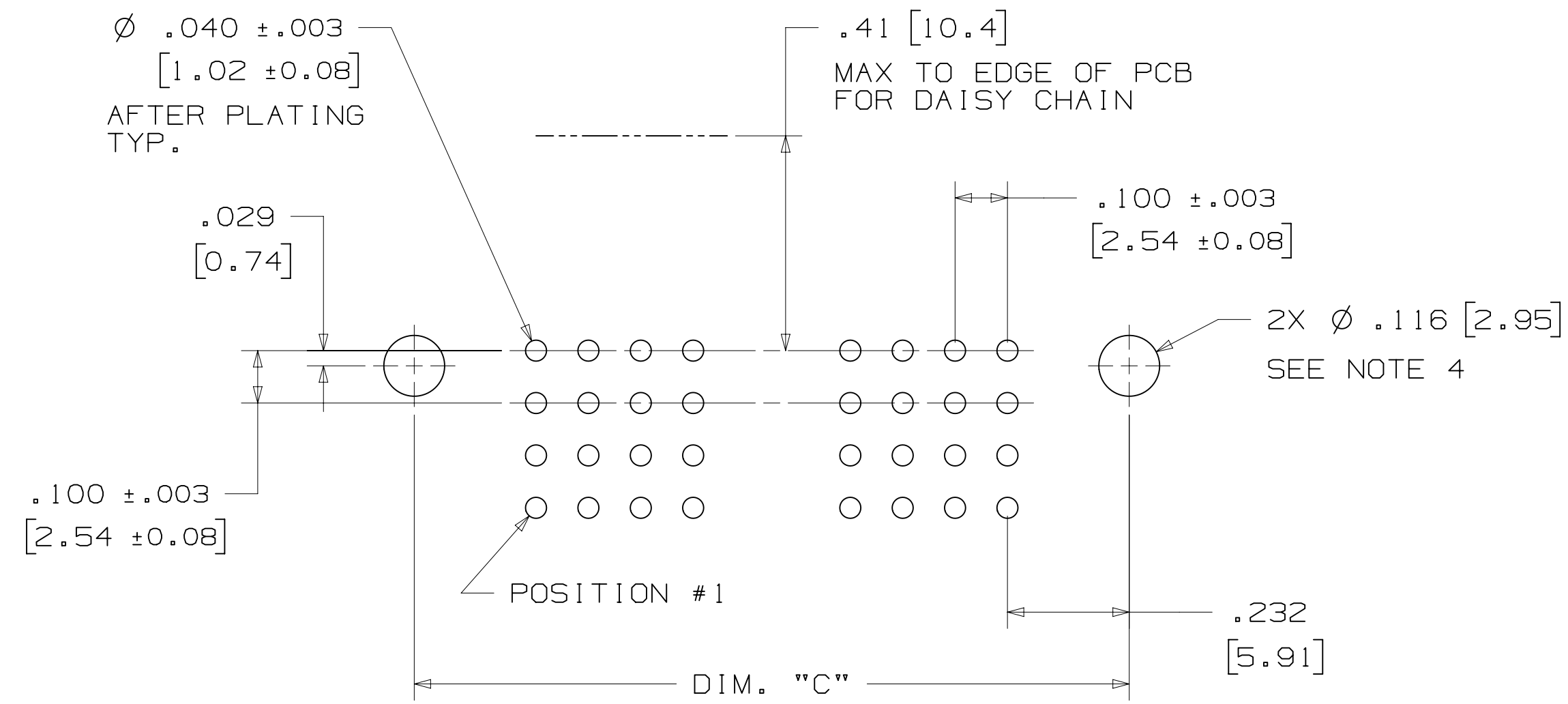
DESIGN REFERENCE	NEXT ASSEMBLY	REV	ECO	ISSUE DATE AND DESCRIPTION	DRFT	CHKD
DIVISION		DIVISION CODE		DATE		
Interconnect Solutions		EMSD		AUG 05, 2014		
DO NOT SCALE DRAWING		SCALE		TOLERANCES EXCEPT AS NOTED		
		4/1		INCHES		
				.00 ± .01		
				.000 ± .005		
				.0000 ±		
THIRD ANGLE PROJECTION				MILLIMETERS		
				0 ±		
INTERPRET PER ASME Y14.5 - 2009				.00 ± .3		
				.00 ± .13		
MAX SURFACE ROUGHNESS				.000 ±		
SURFACES				MARKED ONLY		
MARKED ONLY				ANGLES		

K	60056	MAR 06, 2015	JNC	RS
J	56068	AUG 05, 2014	JNC	RS
REV	ECO	ISSUE DATE AND DESCRIPTION	DRFT	CHKD
DRFT	CHKD	DATE	DATE	DATE
		AUG 05, 2014		SEP 05, 2014
3M Center		© 3M COPYRIGHT 2015		
St. Paul, MN 55144		This document and the information it contains are 3M property and may not be reproduced or further distributed without 3M permission, or used or disclosed other than for 3M authorized purposes. All rights reserved.		
TITLE				
HEADER, 4-WALL, CONDO, .100 X .100 LATCH/EJECTOR, RA				
CAGE NUMBER	SIZE	DRAWING NO.	REV.	
D		78-5100-0774-9	K	
MODEL	3000 SERIES	DET	ISTS	YES X NO
				SHT 2 OF 3

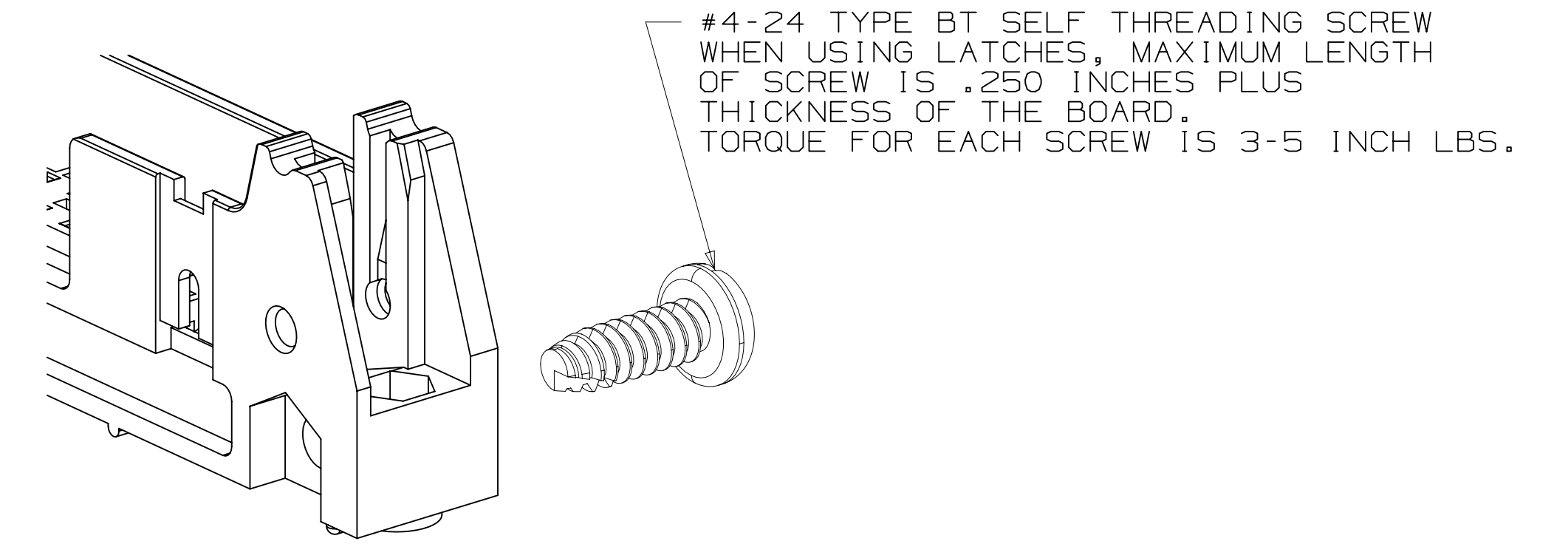
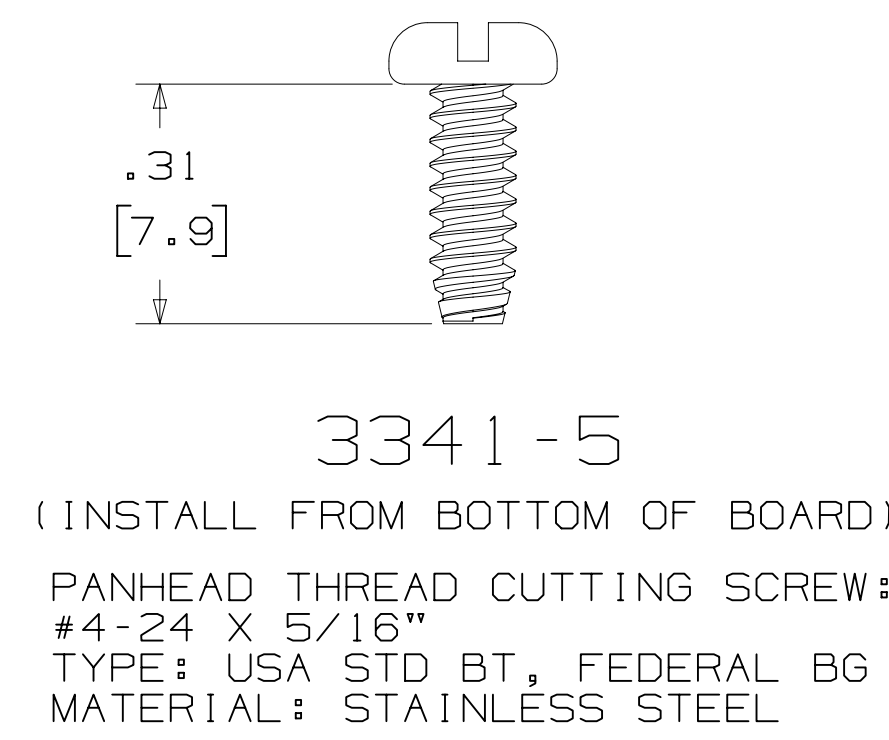
K REVISION
 78-5100-0774-9
 DRAWING NUMBER
 B
 A
 Imaged: K.1 3/6/2015 12:57 PM UTC-06:00

3M™ FOUR-WALL CONDO HEADER, 3000 SERIES

.100" X .100" LATCH/EJECTOR, RIGHT ANGLE



MOUNTING HARDWARE



PART CUSTOMIZATION

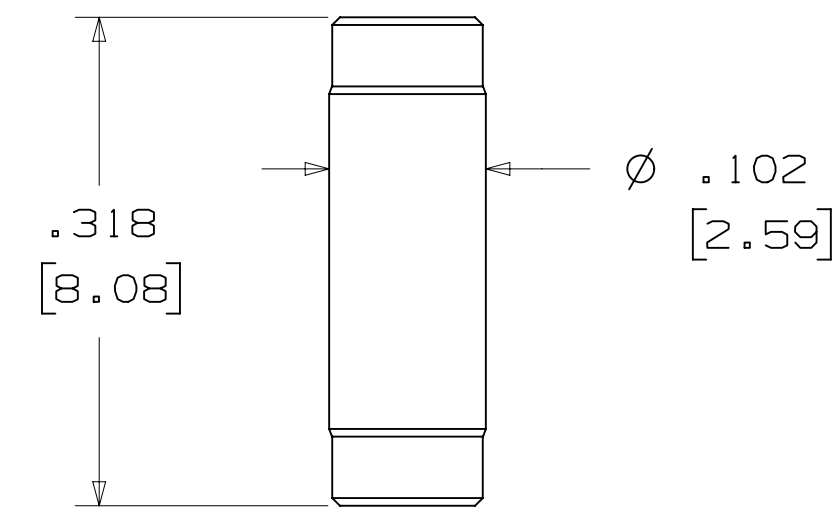
THIS SPEC SHEET DETAILS OUR STANDARD OFFERING.

3M HAS SEVERAL CAPABILITIES THAT CAN PROVIDE A PART TAILORED TO YOUR SPECIFIC NEEDS. ASK YOUR 3M SALES REPRESENTATIVE OR CUSTOMER SERVICE FOR MORE DETAILS.

BOTH SNAP-IN AND ROLL PIN LATCHES MAY BE ORDERED SEPARATELY. SNAP-IN AND ROLL PIN STYLE LATCHES ARE DIMENSIONALLY AND FUNCTIONALLY EQUIVALENT. IF ORDERING SNAP-IN OR ROLL PIN STYLE LATCHES SEPARATELY, PLEASE USE THE BELOW CHART.

MATERIAL	SHORT LATCH	LONG LATCH	LATCH STYLE	COLOR
HIGH TEMP. (PCT)	N3505-2B	N3505-3B	ROLL PIN	BLACK
HIGH TEMP (PPA)	N3505-30B	N3505-31B	SNAP-IN	BLACK

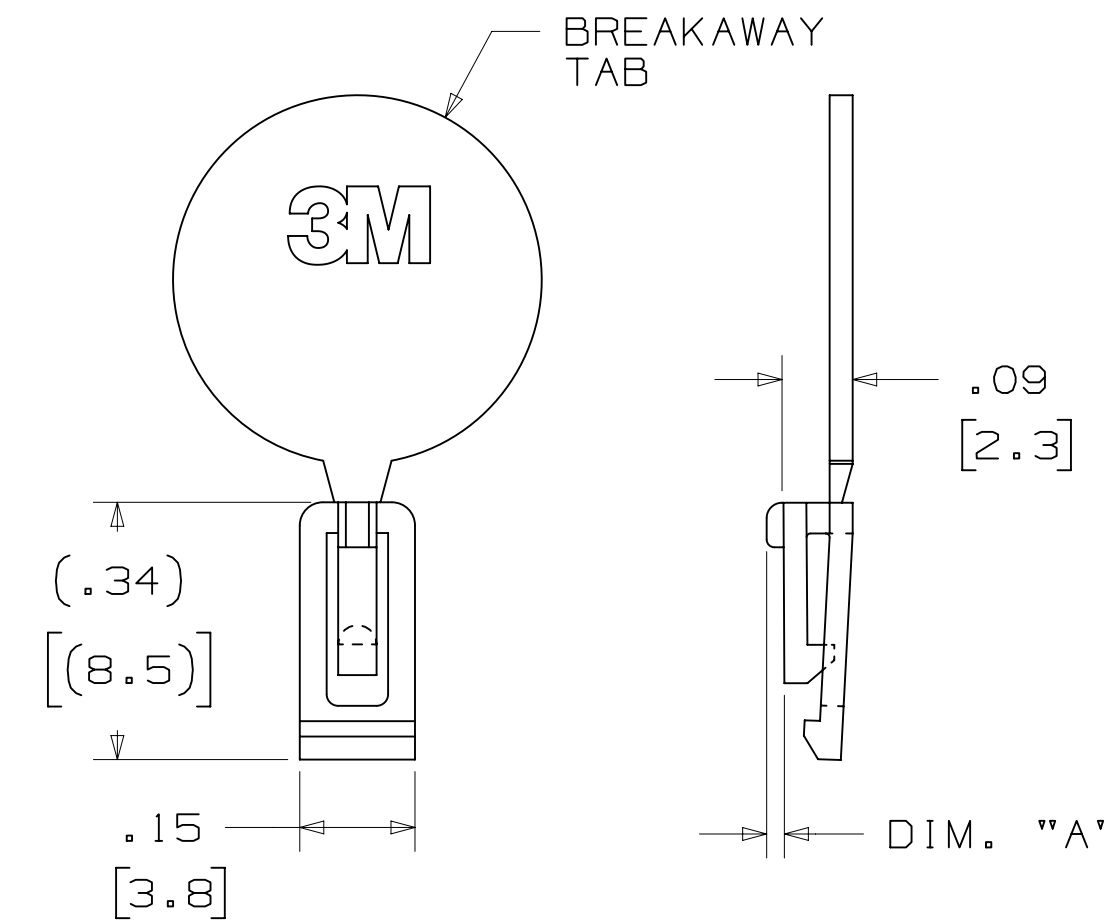
POLARIZING POST



3M PART NO.	MATERIAL	COLOR
3201-4	LCP	BLACK

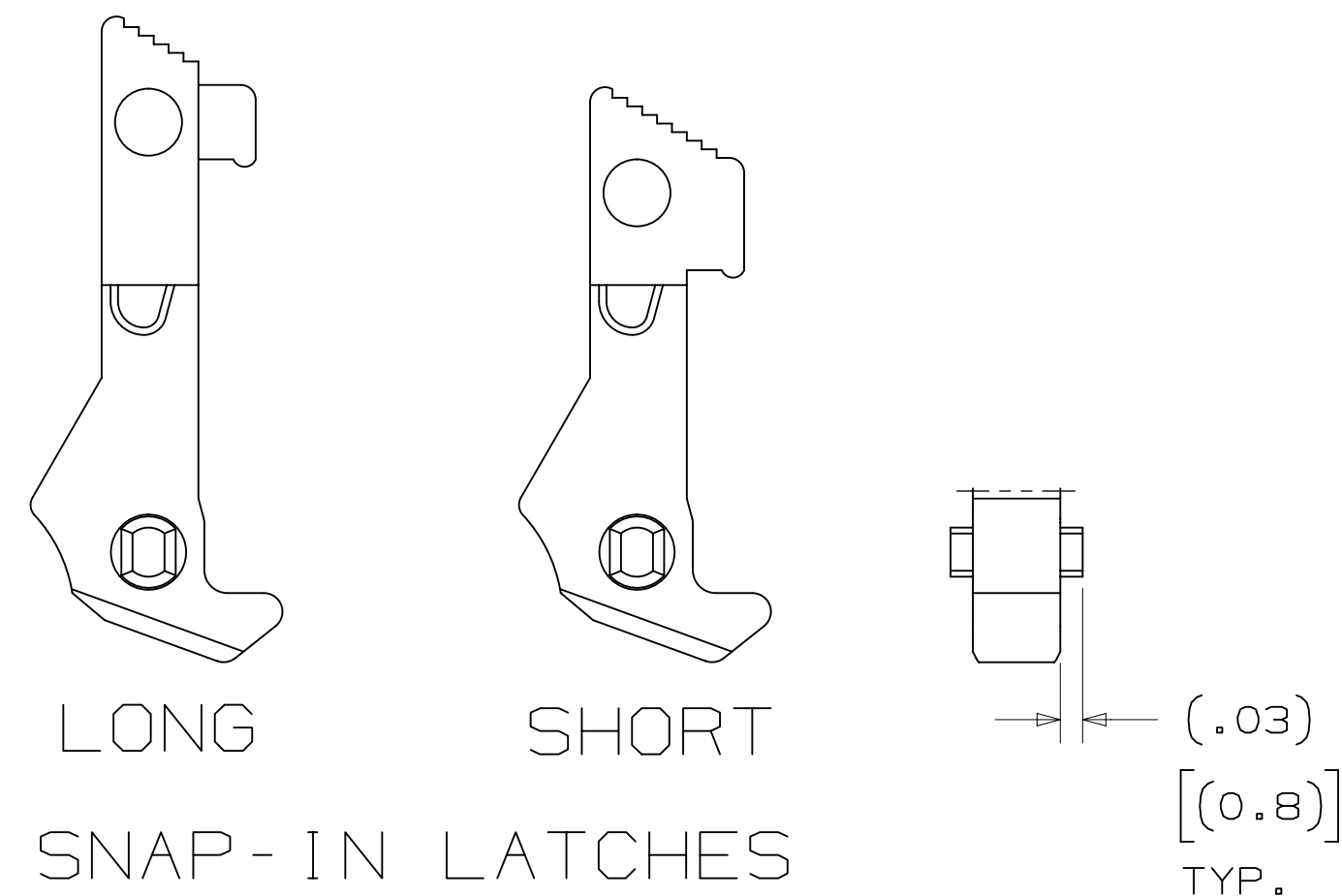
NOTE:
INSERT POST INTO ONE MOUNTING
HARDWARE HOLE ON BOTTOM OF HEADER.
SET POST TO PROTRUDE .115 [2.92]

POLARIZING KEY



3M PART NO.	MATERIAL	COLOR	DIM. "A"
N3518	LCP	BLACK	.02

NOTE:
#2216 B/A SCOTCHWELD CAN BE USED TO
ADHERE KEYS.



NOTE:
SNAP-IN LATCHES CAN ONLY BE ORDERED
SEPARATELY AND ARE THE CUSTOMERS
RESPONSIBILITY TO INSTALL.

DESIGN REFERENCE	NEXT ASSEMBLY	REV	ECO	ISSUE DATE AND DESCRIPTION	DRFT	CHKD
DESIGNER	DATE	APPR	DATE			
CASTIGLIONE	AUG 05, 2014	R. SCHERER	SEP 05, 2014			
DIVISION	DIVISION CODE	© 3M COPYRIGHT 2015				
Interconnect Solutions	EMSD	This document and the information it contains are 3M property and may not be reproduced or further distributed without 3M permission, or used or disclosed other than for 3M authorized purposes. All rights reserved.				
DO NOT SCALE DRAWING	SCALE 4/1	TOLERANCES EXCEPT AS NOTED				
		INCHES	TITLE			
		.00 ± .01	HEADER, 4-WALL,			
		.000 ± .005	CONDO, .100 X .100			
		.0000 ±	LATCH/EJECTOR, RA			
THIRD ANGLE PROJECTION		MILLIMETERS	CAGE NUMBER			
		0 ±	D 78-5100-0774-9			
INTERPRET PER ASME Y14.5 - 2009		.0 ± .3	DRAWING NO.			
		.00 ± .13	REV.			
MAX SURFACE ROUGHNESS		.000 ±	K			
1 SURFACES			MODEL			
MARKED ONLY		ANGLES	3000 SERIES			
			DET			
			YES X NO SHT 3 OF 3			

K REVISION 78-5100-0774-9 DRAWING NUMBER 12:57 PM UTC-06:00 Imaged: K.1 3/6/2015