

DO NOT SCALE FROM THIS PRINT

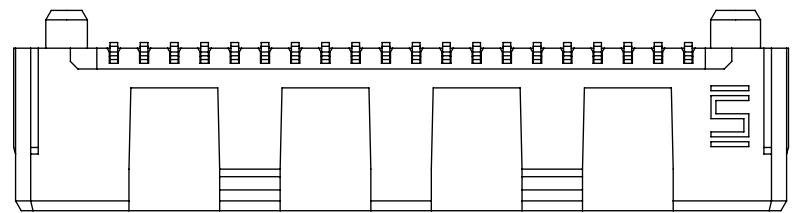
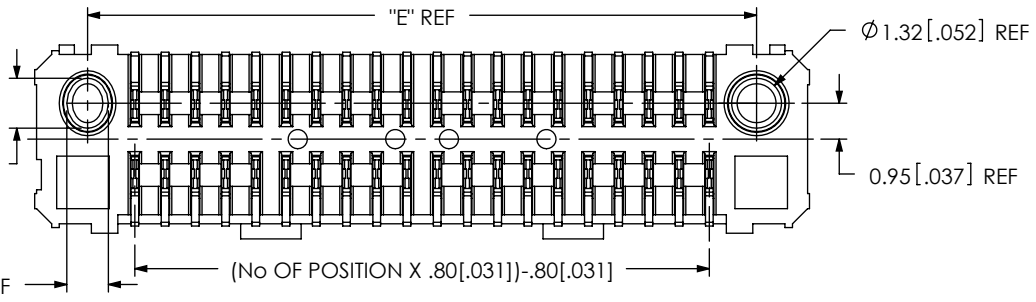
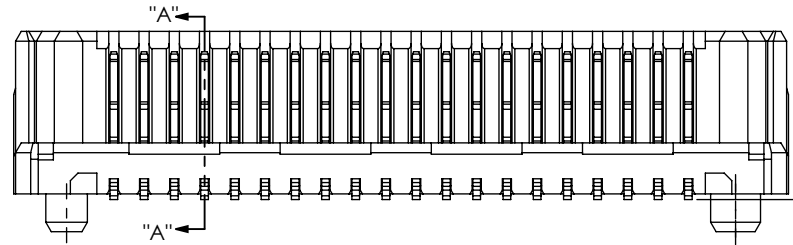
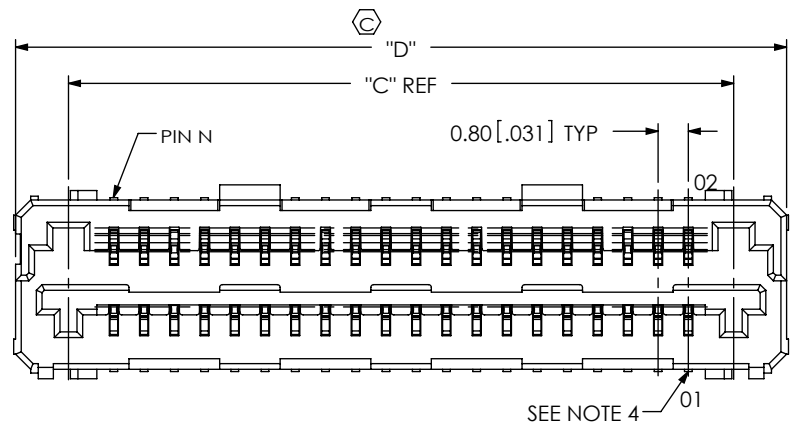


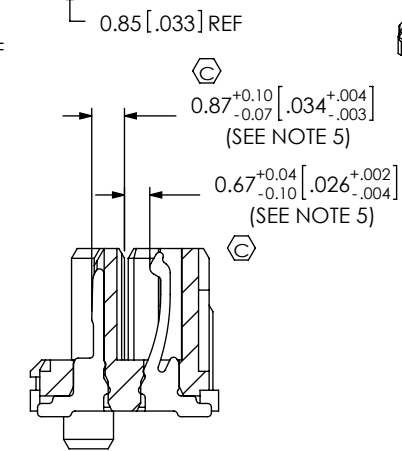
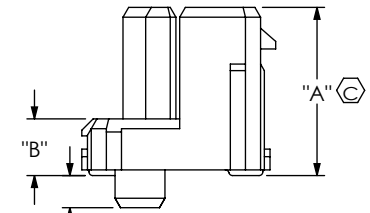
FIG 1  
(LSEM-1XX-XX.X-X-DV-A-N-XX SHOWN)

- NOTES:
- ⊕ REPRESENTS A CRITICAL DIMENSION.
  - BURR ALLOWANCE: .038 [.0015].
  - MINIMUM PUSHOUT FORCE; TERMINALS: 2.22 N [.5 LBS], CONTACTS: 2.22 N [.5 LBS].
  - WHEN MATING WITH ANOTHER LSEM-DV, 01 WILL MATE WITH CONTACT 02 ON MATING CONNECTOR. WHEN MATING WITH A LSEM-DH, PIN 01 WILL MATE WITH PIN N, WHERE N = TOTAL NUMBER OF POSITIONS.
  - MEASURE FROM TOP OF VERTICAL WALL.
  - FOR QUANTITIES UP TO 49 PCS., NO LEADER, TRAILER OR REEL WILL BE SUPPLIED.
  - FOR QUANTITIES OF 50-124 PCS., NO LEADER OR TRAILER WILL BE SUPPLIED.
  - FOR APPLICATIONS REQUIRING TWO OR MORE CONNECTORS PER BOARD, CONTACT IPG@SAMTEC.COM

LSEM-1XX-XX.X-X-DV-A-X-XX-TR

- No OF POSITIONS: 20,30,40,50
- LEAD STYLE:
  - \* -02.5
  - 03.0
  - 04.0
  - 06.0
- PLATING SPECIFICATION:
  - F: 3μ" OF AU IN THE CONTACT AREA, MATTE TIN ON TAIL
  - L: 10μ" OF AU IN THE CONTACT AREA, MATTE TIN ON TAIL
  - S: 30μ" OF AU IN THE CONTACT AREA, MATTE TIN ON TAIL (NOT AVAILABLE ON 02.5 LEAD STYLE)
  - H: 30μ" OF AU IN THE CONTACT AREA AND 3μ" OF AU ON TAIL
- PACKAGING (SEE NOTE 6): -TR: TAPE & REEL
- OPTION:
  - K: POLYIMIDE FILM (USE K-DOT-.217-.313-.005) (SEE FIG 3, SHT 3)
  - \*-WT: WELD TAB (USE WT-36-XX-T, SEE FIG 4, SHT 3) (NOT AVAILABLE WITH \*-S)
- SHIELD:
  - \*\*S: WITH SHIELD (NOT AVAILABLE WITH \*-WT) (ONLY AVAILABLE ON -03.0 LEAD STYLE AND 20, 40 POS)
  - N: NO SHIELD
- A: ALIGNMENT PIN
- TAIL OPTION: DV: DUAL VERTICAL

\* = NOT TOOLED  
\*\* = ASO ONLY



SECTION "A"- "A"

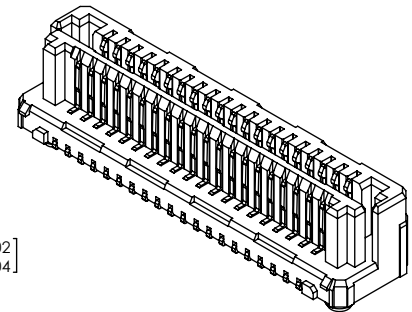
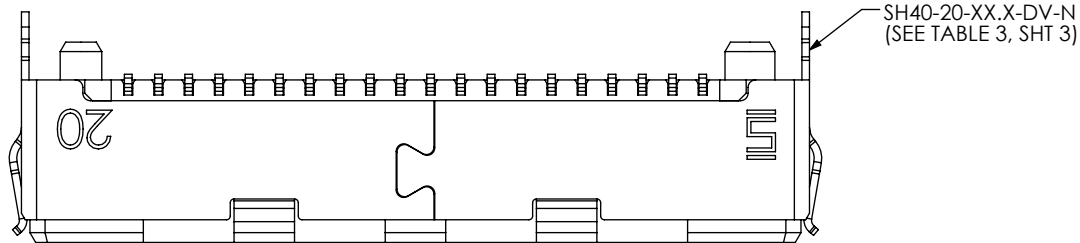
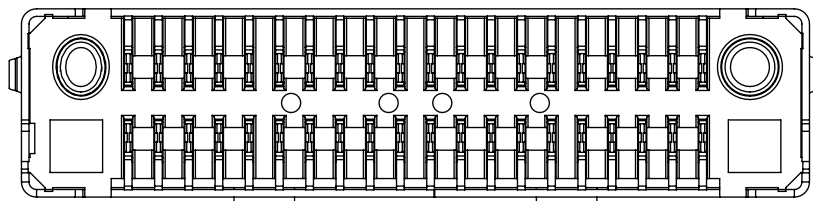
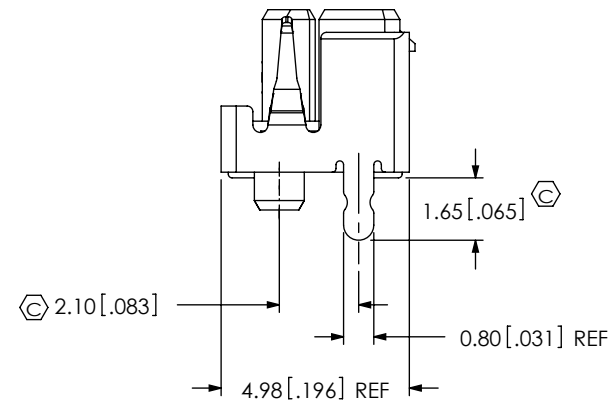
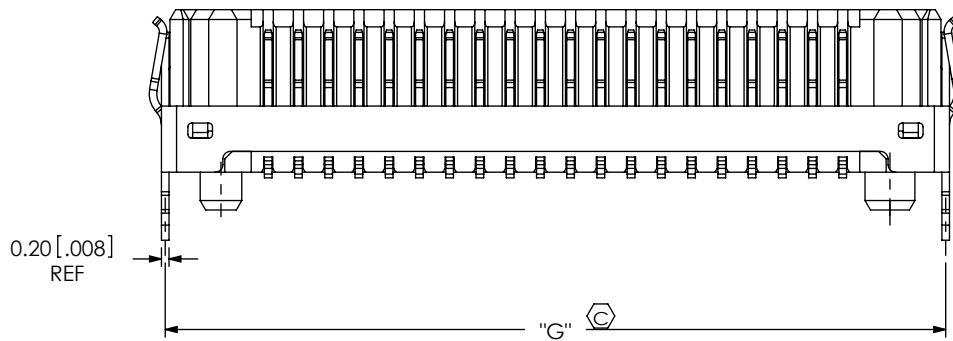
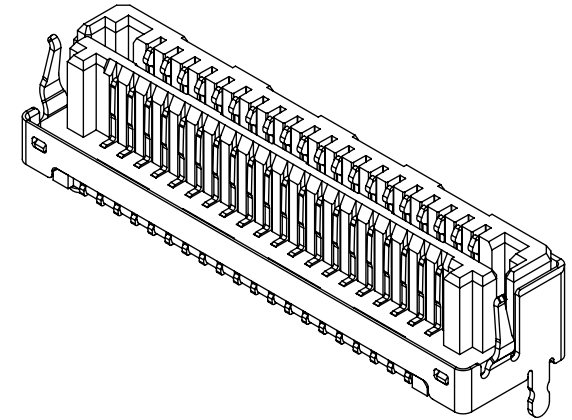
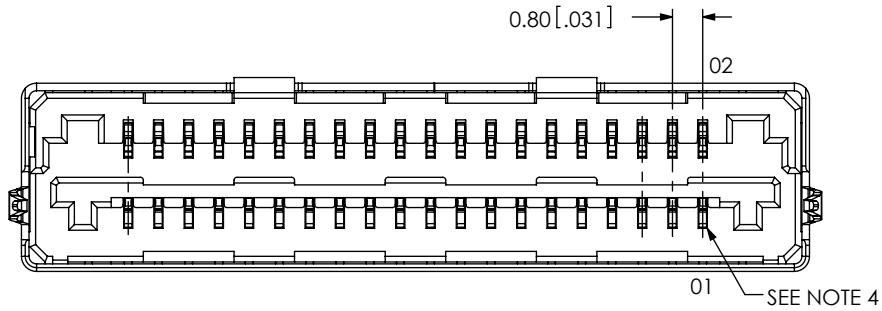


TABLE 5 REF			
STACK HEIGHT			
LSTM LEAD STYLE	-03.0	-04.0	-06.0
-03.0	6.0MM		
-04.0	7.0MM	8.0MM	
-06.0	9.0MM	10.0MM	12.0MM

UNLESS OTHERWISE SPECIFIED, DIMENSIONS ARE IN MILLIMETERS (INCHES). TOLERANCES ARE: DECIMALS ANGLES X.X: ±0.3 [.01] 2° X.XX: ±0.13 [.005] X.XXX: ±0.051 [.0020]	* PROPRIETARY NOTE THIS DOCUMENT CONTAINS CONFIDENTIAL AND PROPRIETARY INFORMATION AND ALL DESIGN, MANUFACTURING, REPRODUCTION, USE, PATENT RIGHTS AND SALES RIGHTS ARE EXPRESSLY RESERVED BY SAMTEC, INC. THIS DOCUMENT SHALL NOT BE DISCLOSED, IN WHOLE OR PART, TO ANY UNAUTHORIZED PERSON OR ENTITY NOR REPRODUCED, TRANSFERRED OR INCORPORATED IN ANY OTHER PROJECT IN ANY MANNER WITHOUT THE EXPRESS WRITTEN CONSENT OF SAMTEC, INC.	520 PARK EAST BLVD, NEW ALBANY, IN 47150 PHONE: 812-944-6733 FAX: 812-948-5047 e-Mail: info@SAMTEC.com code 55322



**FIG 2 -S OPTION**  
 \*\* LSEM-1XX-XX.X-X-DV-A-S SHOWN  
 (SAME AS FIG1 DIFFERENT AS SHOWN)  
 (\*\* = ASO ONLY)

F:\DWG\MISC\WKTG\LSEM-1XX-XX.X-X-DV-A-X-XX-TR-MKT.SLDDRW

**PROPRIETARY NOTE**  
 THIS DOCUMENT CONTAINS CONFIDENTIAL AND PROPRIETARY INFORMATION AND ALL DESIGN, MANUFACTURING, REPRODUCTION, USE, PATENT RIGHTS AND SALES RIGHTS ARE EXPRESSLY RESERVED BY SAMTEC, INC. THIS DOCUMENT SHALL NOT BE DISCLOSED, IN WHOLE OR PART, TO ANY UNAUTHORIZED PERSON OR ENTITY NOR REPRODUCED, TRANSFERRED OR INCORPORATED IN ANY OTHER PROJECT IN ANY MANNER WITHOUT THE EXPRESS WRITTEN CONSENT OF SAMTEC, INC.  
 DO NOT SCALE DRAWING  
 SHEET SCALE: 5:1



520 PARK EAST BLVD, NEW ALBANY, IN 47150  
 PHONE: 812-944-6733 FAX: 812-948-5047  
 e-Mail info@SAMTEC.com code 55322

DESCRIPTION:  
 0.8mm PITCH TERMINAL/SOCKET COMBO

DWG. NO.  
 LSEM-1XX-XX.X-X-DV-A-X-XX-TR

BY: CHADP 04/01/2009 SHEET 2 OF 3

TABLE 2								
No OF POS	"C"	"D"	"E"	"F"	"G"	"H"	"L"	"M"
-20	17.60 [0.693]	20.40 [0.803]	17.70 [0.697]	15.2 [0.598]	20.65 [0.813]	7.48 [0.294]	23.36 [0.920]	21.72 [0.855]
-30	25.60 [1.008]	28.40 [1.118]	25.70 [1.012]	23.2 [0.913]	28.65 [1.128]	11.48 [0.452]	31.36 [1.235]	29.72 [1.170]
-40	33.60 [1.323]	36.40 [1.433]	33.70 [1.327]	31.2 [1.228]	36.65 [1.443]	15.48 [0.609]	39.36 [1.550]	37.72 [1.485]
-50	41.60 [1.638]	44.40 [1.748]	41.70 [1.642]	39.2 [1.543]	44.65 [1.758]	19.48 [0.767]	47.36 [1.865]	45.72 [1.800]

TABLE 3			
LEAD STYLE	BODY	CONTACT	SHIELD
*-02.5	LSEM-XX-02.5-DV-A	C-261-01-X	-N N/A
			**S *SH40-XX-02.5-DV-N
-03.0	LSEM-XX-03.0-DV-A	C-185-01-X	-N N/A
			**S *SH40-XX-03.0-DV-N
-04.0	LSEM-XX-04.0-DV-A	C-185-03-X	-N N/A
			**S *SH40-XX-04.0-DV-N
-06.0	LSEM-XX-06.0-DV-A	C-185-02-X	-N N/A
			**S *SH40-XX-06.0-DV-N

(\* = NOT TOOLED)  
(\*\* = ASO ONLY)

TABLE 1				
STYLE	"A"	"B"	"K"	"N"
*-02.5	3.95 [0.156]	1.00 [0.039]	4.08 [0.161]	0.09 [0.004]
-03.0	4.45 [0.175]	1.50 [0.059]	4.58 [0.180]	0.59 [0.023]
-04.0	5.45 [0.215]	2.50 [0.098]	5.58 [0.220]	0.31 [0.012]
-06.0	7.45 [0.293]	4.50 [0.177]	7.58 [0.298]	0.50 [0.020]

(\* =NOT TOOLED)

TABLE 4	
STYLE	WELD TAB
*-02.5	WT-36-06-T
-03.0	WT-36-06-T
-04.0	WT-36-01-T
-06.0	WT-36-03-T

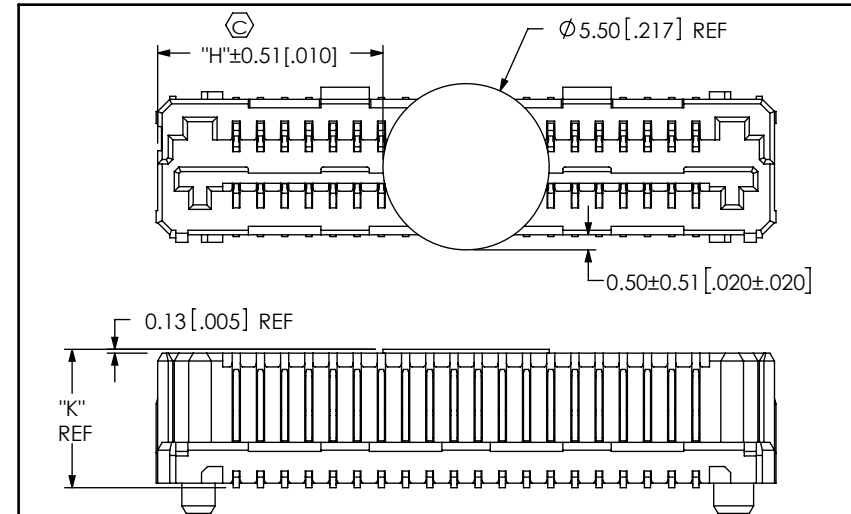


FIG 3 -K OPTION  
LSEM-120-03.0-X-DV-A-N-K SHOWN  
(SAME AS FIG 2 DIFFERENT AS SHOWN)

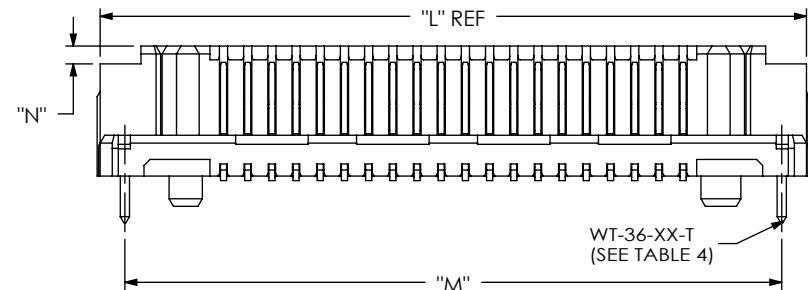


FIG 4 \*-WT OPTION  
\* LSEM-1XX-XX.X-X-DV-A-N-WT SHOWN  
(SAME AS FIG 1 DIFFERENT AS SHOWN)  
(\* =NOT TOOLED)

**PROPRIETARY NOTE**  
THIS DOCUMENT CONTAINS CONFIDENTIAL AND PROPRIETARY INFORMATION AND ALL DESIGN, MANUFACTURING, REPRODUCTION, USE, PATENT RIGHTS AND SALES RIGHTS ARE EXPRESSLY RESERVED BY SAMTEC, INC. THIS DOCUMENT SHALL NOT BE DISCLOSED, IN WHOLE OR PART, TO ANY UNAUTHORIZED PERSON OR ENTITY NOR REPRODUCED, TRANSFERRED OR INCORPORATED IN ANY OTHER PROJECT IN ANY MANNER WITHOUT THE EXPRESS WRITTEN CONSENT OF SAMTEC, INC.



520 PARK EAST BLVD, NEW ALBANY, IN 47150  
PHONE: 812-944-6733 FAX: 812-948-5047  
e-Mail info@SAMTEC.com code 55322

DESCRIPTION:  
0.8mm PITCH TERMINAL/SOCKET COMBO

DWG. NO.  
LSEM-1XX-XX.X-X-DV-A-X-XX-TR

BY: CHADP 04/01/2009 SHEET 3 OF 3

DO NOT SCALE DRAWING  
SHEET SCALE: 4:1