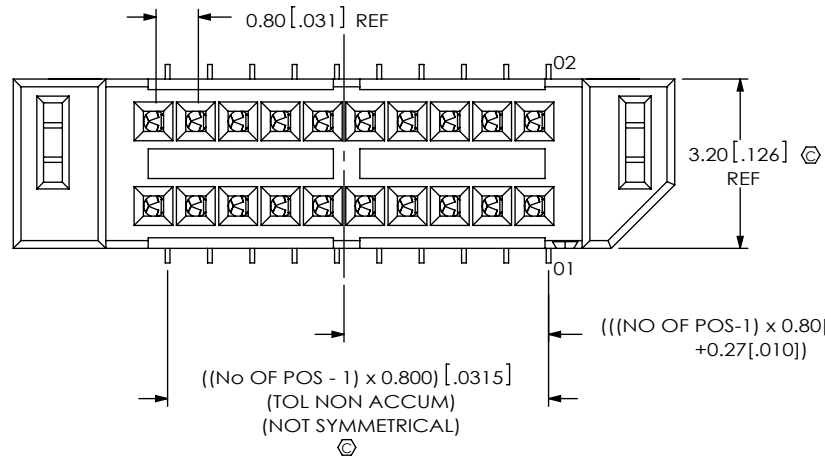


DESIGNED & DIMENSIONED  
IN MILLIMETERS [INCHES]

TABLE 1	
BODY OPTION	"A"
BLANK	(No OF POS x 0.800[.0315]) + 4.500[.1772]
L	(No OF POS x 0.800[.0315]) + 4.500[.1772]
S	(No OF POS x 0.800[.0315]) + 1.600[.0630]

DO NOT  
SCALE FROM  
THIS PRINT



**SEM X-1 XX-XX-XX.X-XX-D-XX-XX**

**BODY OPTION**  
(LEAVE BLANK IF OPTION NOT USED, USE SEM)  
L: FRICTION LOCK (USE SEML)  
S: SLIM (USE SEMS)  
(NOT AVAILABLE WITH -A, -LC, OR -WT)  
(ONLY AVAILABLE WITH -K-TR)

**OPTION**  
-TR: TAPE & REEL (SEE NOTE 7 & 8)  
-K: POLYIMIDE FILM (USE K-DOT-.138-.250-.005, SEE FIG 5, SHT 2)

**OPTION**  
-A: ALIGNMENT PIN (SEE FIG 2, SHEET 2) (NOT AVAILABLE WITH -LC OR -WT) (NOT AVAILABLE ON SEML OR SEMS)  
-LC: LOCKING CLIP (SEE FIG 3, SHEET 2 & NOTE 9) (NOT AVAILABLE WITH -A OR -WT) (NOT AVAILABLE ON SEML OR SEMS)  
-WT: WELD TAB (SEE FIG 4, SHEET 2) (NOT AVAILABLE WITH -A OR -LC) (STANDARD ON SEML) (NOT AVAILABLE ON SEMS)

**ROW SPECIFICATION**  
-D: DOUBLE ROW

**No OF POSITIONS**  
-05 THRU -50 (PER ROW) (IN 5 POS INCREMENTS)

**LEAD STYLE**  
-02: SURFACE MOUNT

**STACK HEIGHT**  
-03.0: 3 MM

**PLATING SPECIFICATION**  
-H: 30µ" HEAVY GOLD IN CONTACT AREA, 3µ" GOLD ON TAIL  
-G: 10µ" GOLD IN CONTACT AREA, 3µ" GOLD ON TAIL  
-FG: 3µ" FLASH GOLD ON ENTIRE TERMINAL

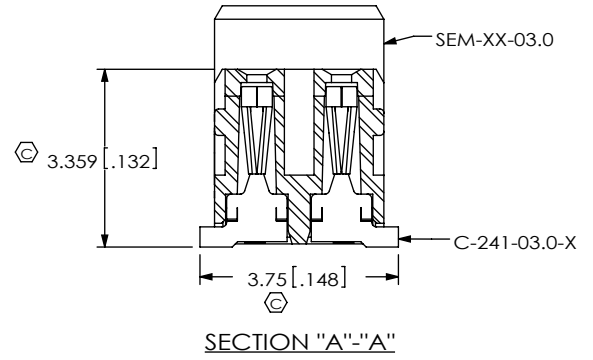
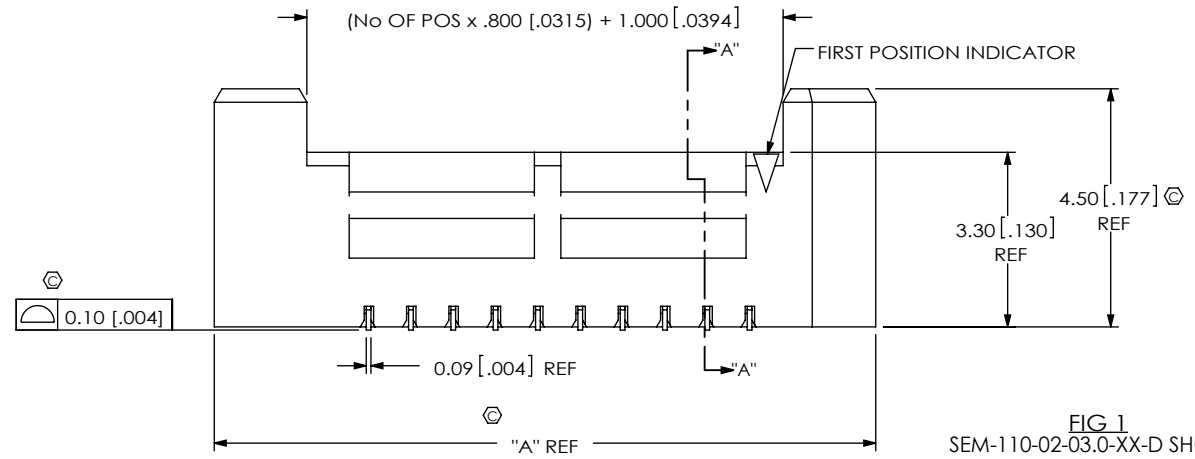


FIG 1  
SEM-110-02-03.0-XX-D SHOWN

- NOTES:
- ⊗ REPRESENTS A CRITICAL DIMENSION.
  - MINIMUM PUSHOUT FORCE FOR CONTACT, LOCKING CLIP AND WELD TAB: 2.22N.
  - HEIGHT VARIATION BETWEEN ANY TWO CONTACTS: 0.13 MAXIMUM.
  - PARTS TO BE PACKAGED IN TRAYS UNLESS OTHERWISE SPECIFIED.
  - POSITIONS -05 THRU -20 WILL HAVE ONLY ONE FRICTION LOCK. POSITIONS -25 THRU -40 WILL HAVE TWO FRICTION LOCKS. POSITIONS -45 THRU -50 WILL HAVE THREE FRICTION LOCKS.
  - NOTE DELETED.
  - FOR QUANTITIES UP TO 49 PIECES, NO LEADER, TRAILER, OR REEL WILL BE SUPPLIED. FOR QUANTITIES 50-124, NO LEADER, OR TRAILER WILL BE SUPPLIED.
  - ALL SAMPLES AND/OR NO CHARGE ORDERS ARE REQUIRED TO BE PACKAGED IN SUSPENSION PACKS AND NOT T&R.
  - DUE TO HIGH AMOUNT OF INSERTION FORCE NEEDED, THE -LC OPTION IS NOT COMPATIBLE WITH AUTO-PLACEMENT. SAMTEC RECOMMENDS MANUAL PLACEMENT FOR ALL ASSEMBLIES WITH THE -LC OPTION.

UNLESS OTHERWISE SPECIFIED, DIMENSIONS ARE IN MILLIMETERS. TOLERANCES ARE:

DECIMALS	ANGLES
X.X: ±0.3 [.01]	2°
X.XX: ±0.13 [.005]	
X.XXX: ±0.051 [.0020]	

**MATERIAL:** DO NOT SCALE DRAWING SHEET SCALE: 7:1  
INSULATOR: VECTRA E130i  
CONTACT: #25 BeCu, HALF HARD  
LOCKING CLIP: PHOS BRONZE 510  
WELD TAB: BRASS ALLOW 260, FULL HARD

**PROPRIETARY NOTE**  
THIS DOCUMENT CONTAINS CONFIDENTIAL AND PROPRIETARY INFORMATION AND ALL DESIGN, MANUFACTURING, REPRODUCTION, USE, PATENT RIGHTS AND SALES RIGHTS ARE EXPRESSLY RESERVED BY SAMTEC, INC. THIS DOCUMENT SHALL NOT BE DISCLOSED, IN WHOLE OR PART, TO ANY UNAUTHORIZED PERSON OR ENTITY NOR REPRODUCED, TRANSFERRED OR INCORPORATED IN ANY OTHER PROJECT IN ANY MANNER WITHOUT THE EXPRESS WRITTEN CONSENT OF SAMTEC, INC.

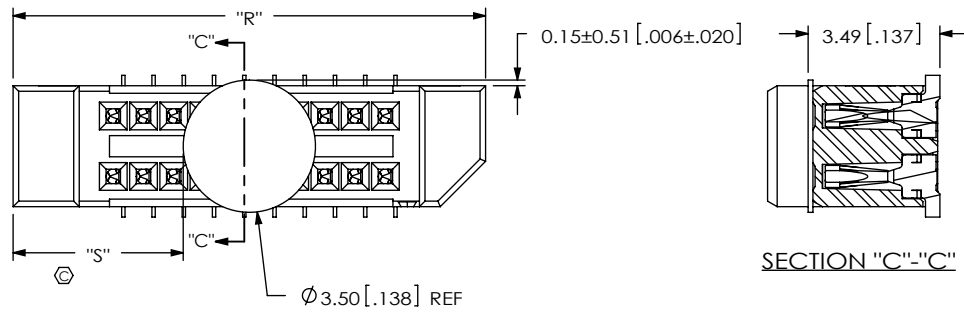
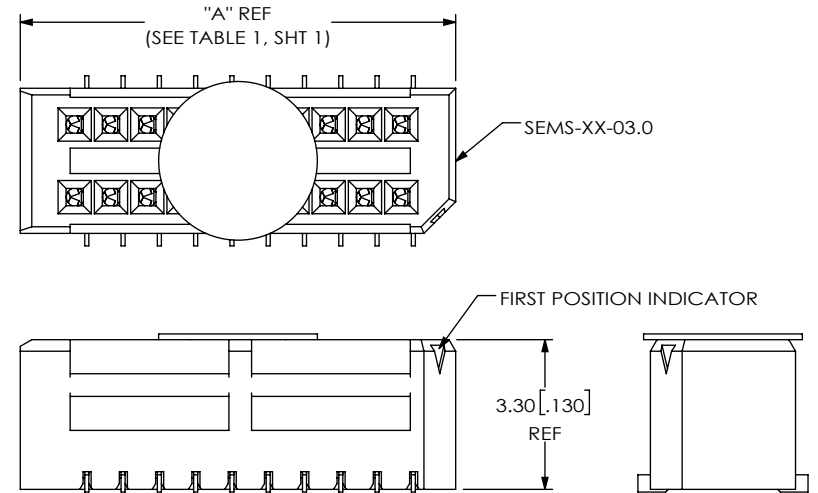
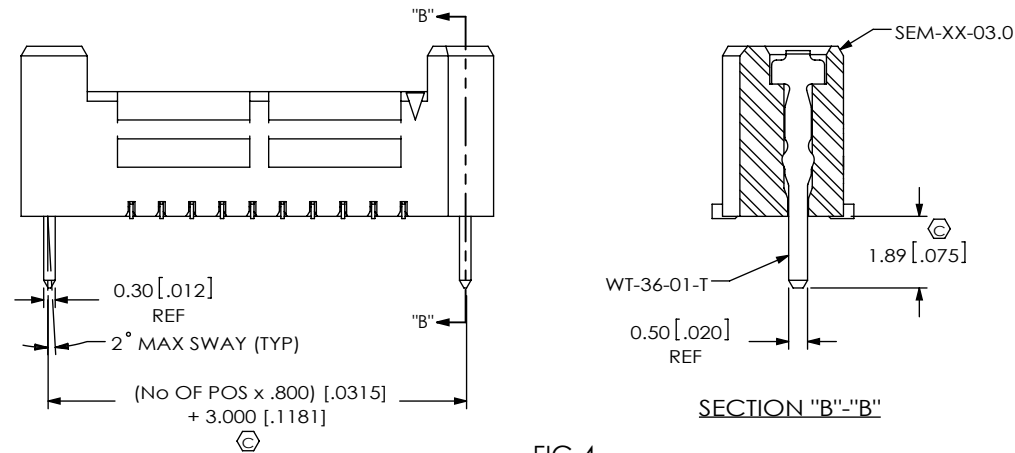
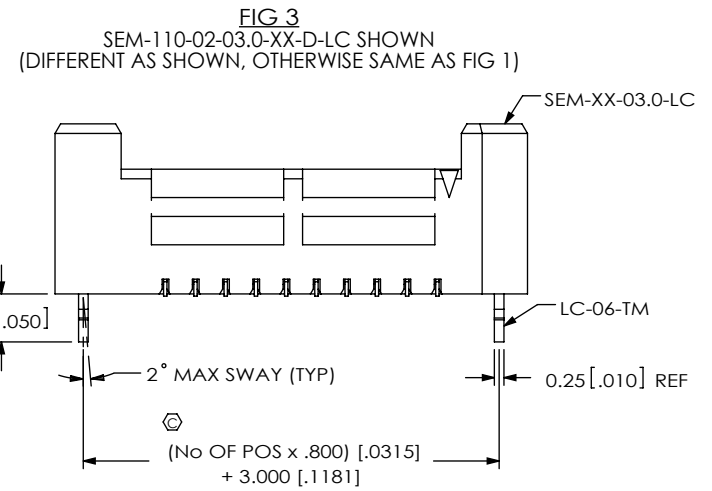
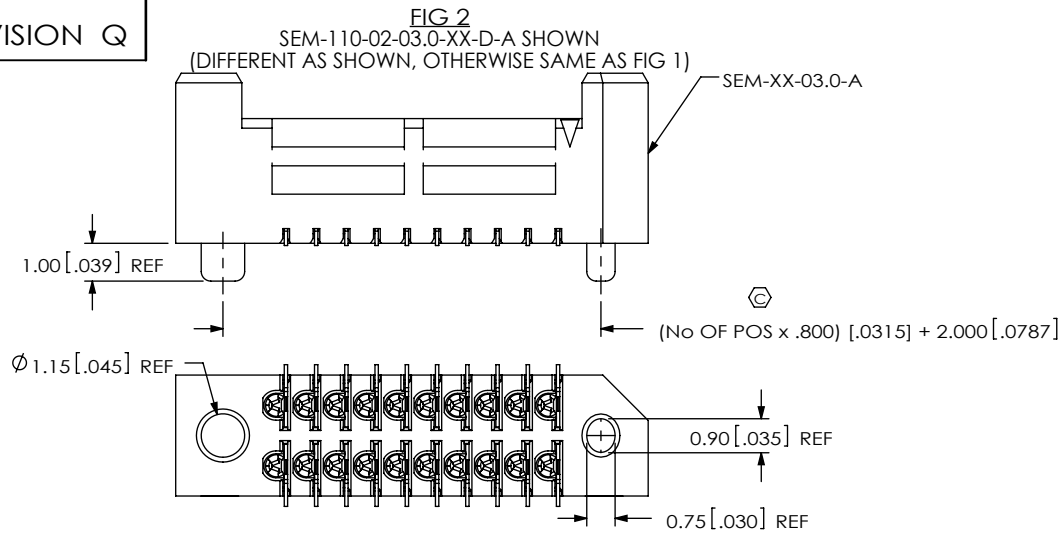
520 PARK EAST BLVD, NEW ALBANY, IN 47150  
PHONE: 812-944-6733 FAX: 812-948-5047  
e-Mail info@SAMTEC.com code 55322

DESCRIPTION:  
.8MM TIGER EYE MICRO SOCKET

DWG. NO.  
**SEM X-1 XX-XX-XX.X-XX-D-XX-XX**

BY: B RAY 10-19-2007 SHEET 1 OF 2

REVISION Q



NOTE: "R" = OVERALL LENGTH (REF)  
 "S" = {"R" - 3.51 [0.138]}/2 [0.0787] ± 0.51 [0.02]

FIG 5  
 SEM-110-02-03.0-XX-D-K SHOWN  
 (DIFFERENT AS SHOWN, OTHERWISE SAME AS FIG 1)

FIG 6  
 SEMS-110-02-03.0-XX-D SHOWN  
 (DIFFERENT AS SHOWN, OTHERWISE SAME AS FIG 1)

**PROPRIETARY NOTE**  
 THIS DOCUMENT CONTAINS CONFIDENTIAL AND PROPRIETARY INFORMATION AND ALL DESIGN, MANUFACTURING, REPRODUCTION, USE, PATENT RIGHTS AND SALES RIGHTS ARE EXPRESSLY RESERVED BY SAMTEC, INC. THIS DOCUMENT SHALL NOT BE DISCLOSED, IN WHOLE OR IN PART, TO ANY UNAUTHORIZED PERSON OR ENTITY NOR REPRODUCED, TRANSFERRED OR INCORPORATED IN ANY OTHER PROJECT IN ANY MANNER WITHOUT THE EXPRESS WRITTEN CONSENT OF SAMTEC, INC.

DO NOT SCALE DRAWING  
 SHEET SCALE: 5:1

**samtec**

520 PARK EAST BLVD, NEW ALBANY, IN 47150  
 PHONE: 812-944-6733 FAX: 812-948-5047  
 e-Mail info@SAMTEC.com code 55322

DESCRIPTION:  
 .8MM TIGER EYE MICRO SOCKET

DWG. NO.  
**SEM-X-1XX-XX-XX.X-XX-D-XX-XX**

BY: B RAY 10-19-2007 SHEET 2 OF 2