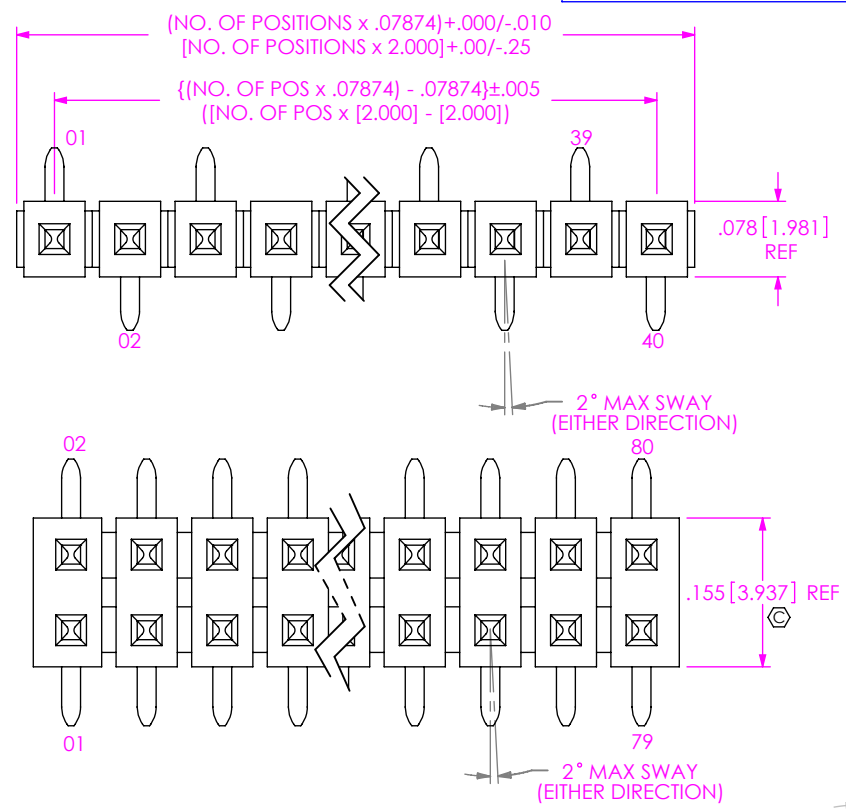


DO NOT SCALE FROM THIS PRINT

PATENT NUMBERS
5713755 / 5961339

TMM-1XX-XX-XX-X-SM-XX-X



NO. OF POSITIONS PER ROW
-02 THRU -40

TERMINAL SPEC
-01: USE T-1S13-07-X-2
-04: USE T-1S13-04-X-2
-05: USE T-1S13-21-X-2
-06: USE T-1S13-08-X-2 (SEE NOTE 8)

PLATING SPECIFICATION
-G: 20μ" GOLD ON CONTACT AREA, 3μ" GOLD ON TAIL
-T: MATTE TIN ON CONTACT AND TAIL
-S: 30μ" SELECTIVE GOLD ON CONTACT, MATTE TIN ON TAIL
-L: 10μ" SELECTIVE GOLD ON CONTACT, MATTE TIN ON TAIL
-F: 3μ" SELECTIVE GOLD ON CONTACT, MATTE TIN ON TAIL
-H: 30μ" GOLD ON CONTACT, 3μ" GOLD MIN ON TAIL
-SM: 30μ" SELECTIVE GOLD ON CONTACT, MATTE TIN ON TAIL
-TM: MATTE TIN ON CONTACT AND TAIL
-LM: 10μ" SELECTIVE GOLD ON CONTACT, MATTE TIN ON TAIL
-FM: 3μ" SELECTIVE GOLD ON CONTACT, MATTE TIN ON TAIL

OPTION
-P: PICK & PLACE PAD (AVAILABLE ON POSITIONS -03 THRU -40) (SEE SHEET 2, FIG 2)
*-M: METAL PICK & PLACE PAD (SEE SHEET 2, FIG 2) (4 POS. MIN)
-A: ALIGNMENT PIN (SEE SHEET 2, FIG 3) (5 POS. PER ROW MINIMUM) (NOT AVAILABLE ON SINGLE BODY SPECIFICATION)
-TR: TAPE & REEL (AVAILABLE ON POS -03 THRU 36, POS 37 THRU -40 AVAILABLE TO EXISTING CUSTOMERS ONLY) (SEE SHEET 3)

OPTION
POLARIZED SPECIFY POS-XX AS POS TO BE OMITTED

OPTION
-SM: SURFACE MOUNT

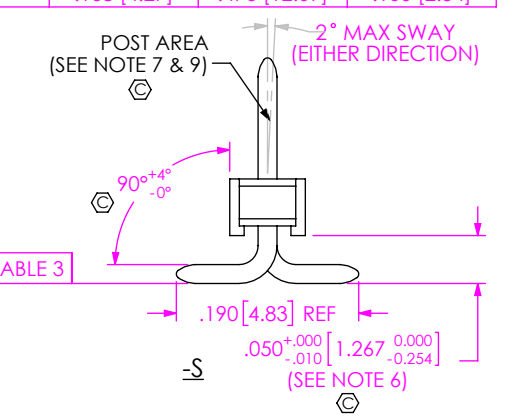
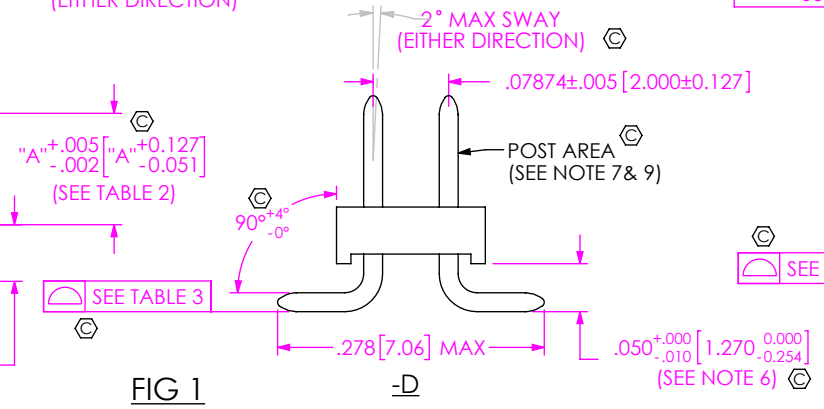
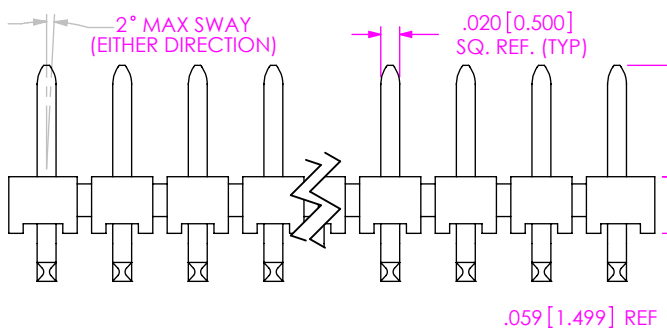
BODY SPECIFICATION
-S: SINGLE (TMM-50-S)
-D: DOUBLE (TMM-50-D)

TABLE 3

No OF POS	
-02 THRU -10	.004[0.10]
-11 THRU -40	.006[0.15]

TABLE 2
* FOR EXISTING CUSTOMERS ONLY

LEAD STYLE	"A" POST	"B" (OAL)	"C"
-01	.126 [3.20]	.302 [7.67]	.100 [2.54]
-04	.075 [1.91]	.255 [6.48]	.100 [2.54]
-05	.065 [1.65]	.323 [8.20]	.080 [2.03]
-06	.168 [4.27]	.476 [12.09]	.100 [2.54]



NOTES:

1. Ⓢ REPRESENTS A CRITICAL DIMENSION.
2. MAX. PIN ROTATION IN BODY: 2°
3. PUSHOUT FORCE SHALL BE 1 lb MIN.
4. ALL DIMENSIONS IN BRACKETS [] TO BE MILLIMETERS.
5. PACKAGE POSITIONS 03-40 IN TUBES; LAYER PACKAGE -02 POSITION.
6. .050 [1.27] DIMS TO BE CHECKED AT BEND RADIUS, NOT AT END OF PIN
7. PINS TO BE INSERTED TAIL SIDE FIRST TO AVOID SCRATCHES ON CONTACT
8. SHEAR TAILS FOR -05 & -06 LEAD STYLE
9. NO BANDOLIER MARKS ARE ALLOWED IN THE POST AREA.
10. MAX. CUT FLASH: .010 [.25]

UNLESS OTHERWISE SPECIFIED, DIMENSIONS ARE IN INCHES.
TOLERANCES ARE:
DECIMALS ANGLES
.XX: ±.01 2°
.XXX: ±.005
.XXXX: ±.0020

PROPRIETARY NOTE
THIS DOCUMENT CONTAINS CONFIDENTIAL AND PROPRIETARY INFORMATION AND ALL DESIGN, MANUFACTURING, REPRODUCTION, USE, PATENT RIGHTS AND SALES RIGHTS ARE EXPRESSLY RESERVED BY SAMTEC, INC. THIS DOCUMENT SHALL NOT BE DISCLOSED, IN WHOLE OR PART, TO ANY UNAUTHORIZED PERSON OR ENTITY NOR REPRODUCED, TRANSFERRED OR INCORPORATED IN ANY OTHER PROJECT IN ANY MANNER WITHOUT THE EXPRESS WRITTEN CONSENT OF SAMTEC, INC.

520 PARK EAST BLVD, NEW ALBANY, IN 47150
PHONE: 812-944-6733 FAX: 812-948-5047
e-Mail: info@SAMTEC.com code 53322

DO NOT SCALE DRAWING SHEET SCALE: 4:1

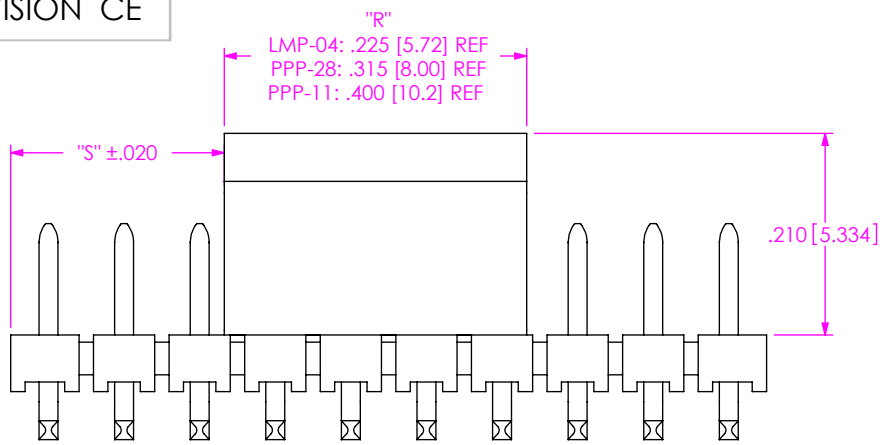
MATERIAL BODIES: LCP UL 94 VO, COLOR BLACK
TERMINALS: PHOSPHOR BRONZE

F:\DWG\MISC\MKTG\TMM-1XX-XX-XX-X-SM-XX-X-MKT.SLDDRW

DESCRIPTION: 2MM TERMINAL STRIP ASSEMBLY

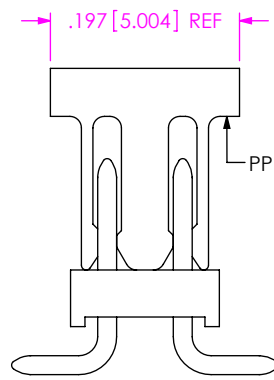
DWG. NO. TMM-1XX-XX-XX-X-SM-XX-X

BY: REIDINGER 05-22-1991 SHEET 1 OF 3

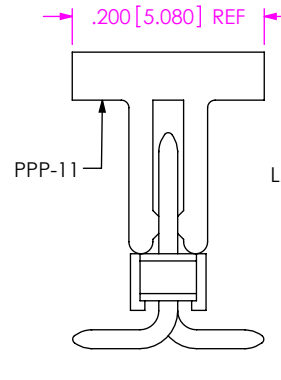


"R" = PAD SIZE ABOVE
"S" = ((NO OF POS x .07874) - "R") / 2

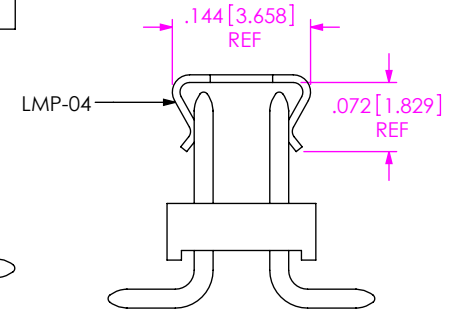
-P: PICK & PLACE PAD



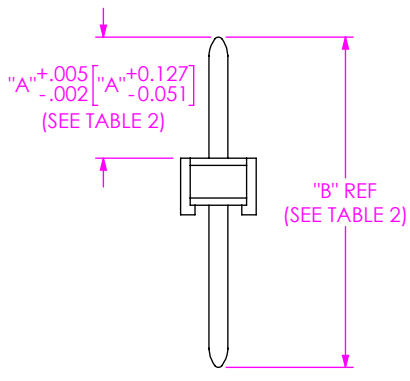
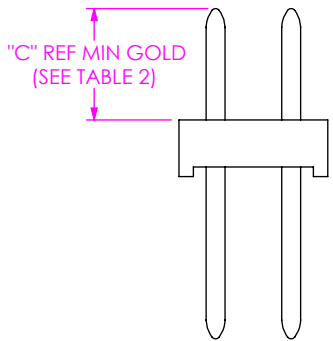
DOUBLE
FIG 2



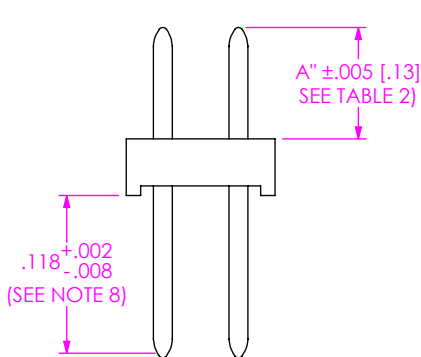
SINGLE



-M: PICK & PLACE PAD
DOUBLE ONLY



IN-PROCESS 1



IN-PROCESS 2
-05 & -06 LEAD STYLE ONLY

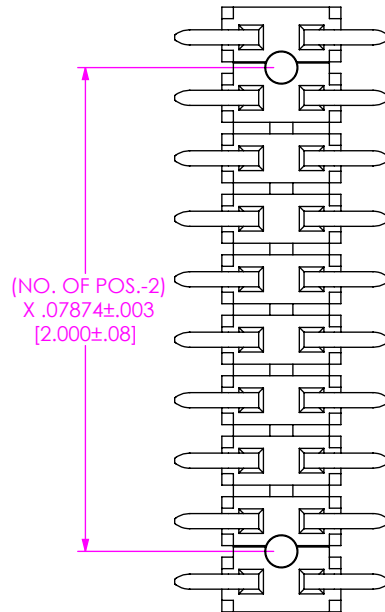
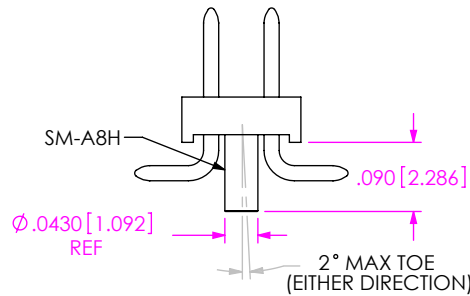
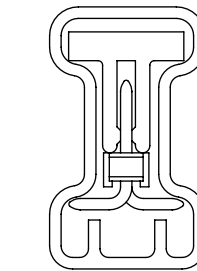
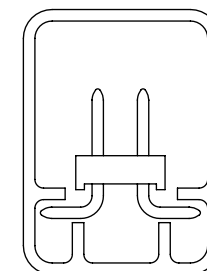


FIG 3
-A: ALIGNMENT PIN
(5 POS. PER ROW MINIMUM)

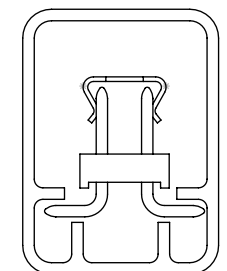
F:\DWG\MISC\MKTG\TMM-1XX-XX-XX-X-SM-XX-X-MKT.SLDDRW



PT-1-24-01-17
TMM-1XX-XX-X-X-SM-S
TMM-1XX-XX-X-X-SM-S-P



PT-TMMH001-DV-P
TMM-1XX-XX-X-X-SM-D



PT-TMMH001-DV-P
TMM-1XX-XX-X-X-SM-D-M

TUBE VIEW

TABLE 1 (SEE NOTE 5)		
OPTION	PKG TUBE	PLUG
-S, -S-P	PT-1-24-01-17	TP-24
-D, -D-A, -D-M, -D-A-M, -D-P, D-A-P	PT-TMMH001-DV-P	TP-03

PROPRIETARY NOTE

THIS DOCUMENT CONTAINS CONFIDENTIAL AND PROPRIETARY INFORMATION AND ALL DESIGN, MANUFACTURING, REPRODUCTION, USE, PATENT RIGHTS AND SALES RIGHTS ARE EXPRESSLY RESERVED BY SAMTEC, INC. THIS DOCUMENT SHALL NOT BE DISCLOSED, IN WHOLE OR PART, TO ANY UNAUTHORIZED PERSON OR ENTITY NOR REPRODUCED, TRANSFERRED OR INCORPORATED IN ANY OTHER PROJECT IN ANY MANNER WITHOUT THE EXPRESS WRITTEN CONSENT OF SAMTEC, INC.

DO NOT SCALE DRAWING

SHEET SCALE: 4:1

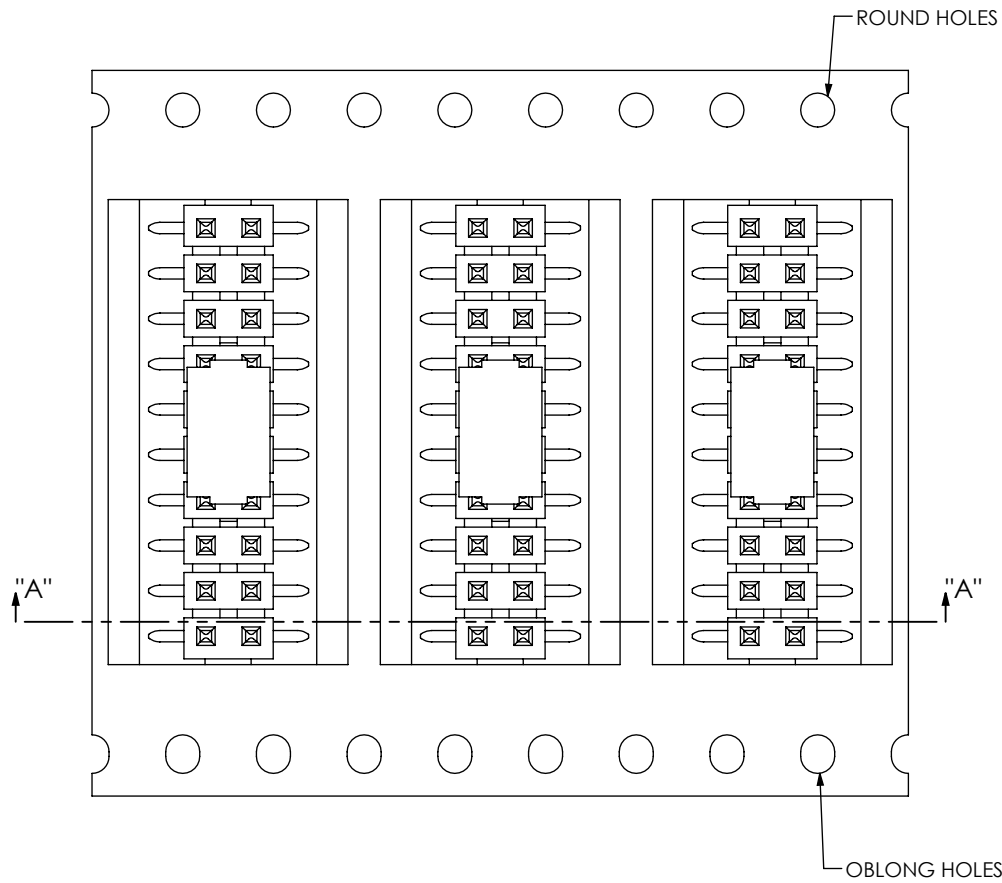


520 PARK EAST BLVD, NEW ALBANY, IN 47150
PHONE: 812-944-6733 FAX: 812-948-5047
e-Mail info@SAMTEC.com code 55322

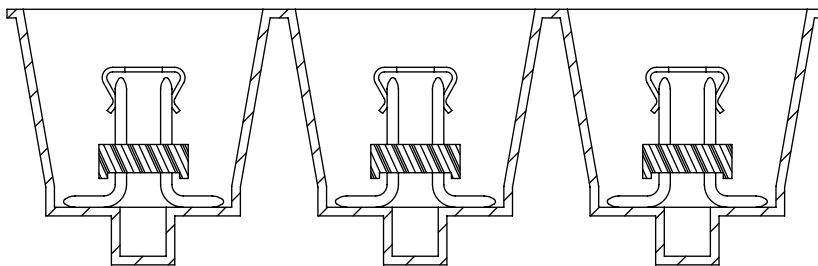
DESCRIPTION:
2MM TERMINAL STRIP ASSEMBLY

DWG. NO.
TMM-1XX-XX-XX-X-SM-XX-X

BY: REIDINGER 05-22-1991 SHEET 2 OF 3



USER DIRECTION OF UNREELING →



TAPE AND REEL VIEW

PROPRIETARY NOTE
 THIS DOCUMENT CONTAINS CONFIDENTIAL AND PROPRIETARY INFORMATION AND ALL DESIGN, MANUFACTURING, REPRODUCTION, USE, PATENT RIGHTS AND SALES RIGHTS ARE EXPRESSLY RESERVED BY SAMTEC, INC. THIS DOCUMENT SHALL NOT BE DISCLOSED, IN WHOLE OR PART, TO ANY UNAUTHORIZED PERSON OR ENTITY NOR REPRODUCED, TRANSFERRED OR INCORPORATED IN ANY OTHER PROJECT IN ANY MANNER WITHOUT THE EXPRESS WRITTEN CONSENT OF SAMTEC, INC.

DO NOT SCALE DRAWING

SHEET SCALE: 1:1



520 PARK EAST BLVD, NEW ALBANY, IN 47150
 PHONE: 812-944-6733 FAX: 812-948-5047
 e-Mail: info@SAMTEC.com code 55322

DESCRIPTION: 2MM TERMINAL STRIP ASSEMBLY

DWG. NO. TMM-1XX-XX-XX-X-SM-XX-X

BY: REIDINGER 05-22-1991 SHEET 3 OF 3