

Revision Control Record			
Rev.	Description of Change	ECN No.	Date
J	ADDED HENCOL 13; ADDED TORQUE NOTE	13167	06/17/13
H	ADDED MADE IN TAIWAN	11215	7/15/11
G	ADDED CHART & UL	10254	6/24/10
F	ADDED HEX NUT, 1.950	07102	3/30/07

Revision Control Record			
Rev.	Description of Change	ECN No.	Date
E	REVISED NOTES, DELETED HEX NUT	07049	2/13/07
D	ADDED NOTES	06325	10/3/06
C	REVISED VIEW/ADD NOTE 8	06290	8/21/06
B	7/8-24/VALOX310	06222	7/5/06

Tolerances Unless otherwise specifically noted, the following are default tolerances:
 • 2-place Decimal Dimensions +/- .02"
 • 3-place Decimal Dimensions +/- .005"
 • Angular Dimensions +/- 1.0 Deg.
 • Metric: Refer to equivalent English Dimension Tolerance
 >>> NOTE: All tolerances are Non-Cumulative. <<<

Dimensional Units All dimensions are expressed in inches except those shown in brackets (xxx) are expressed in millimeters

"REF." or an Asterisk (*) = Non-Toleranced Reference Dimension, shown for clarification purposes only.

Used On: EX28124
 or Ref.: Scale: 1:1

PROPRIETARY INFORMATION This Engineering Drawing, and the information contained herein, is proprietary to Cole Hersee Company and may not be disclosed, re-produced, or in any other way transferred or communicated to any other party without the express written consent of an authorized representative of Cole Hersee Company.

DESIGN CONTROL It is the responsibility of the individual using / referencing this drawing to assure that the noted design revision level agrees with the revision level of the Controlled Document (Master Drawing). This is a NON-CONTROLLED DOCUMENT unless otherwise specifically noted.

DO NOT SCALE - Dimensional variation may occur during printing / reproduction.

Drawn By: DPS
 Date Drawn: 8/11/06
 Responsible Engineer: JT

Special Characteristics:

- CC Critical Characteristic, relating to Safety and/or Regulatory Compliance
- X Significant Characteristic relating to Process Control (SPC)
- KC Control Dimension relating to Form - Fit - Function as defined by Cole Hersee Company and/or the Customer

(Note that the identification of any Characteristics as being "Special" does not alter the requirement that ALL specified dimensions & tolerances must be met.)

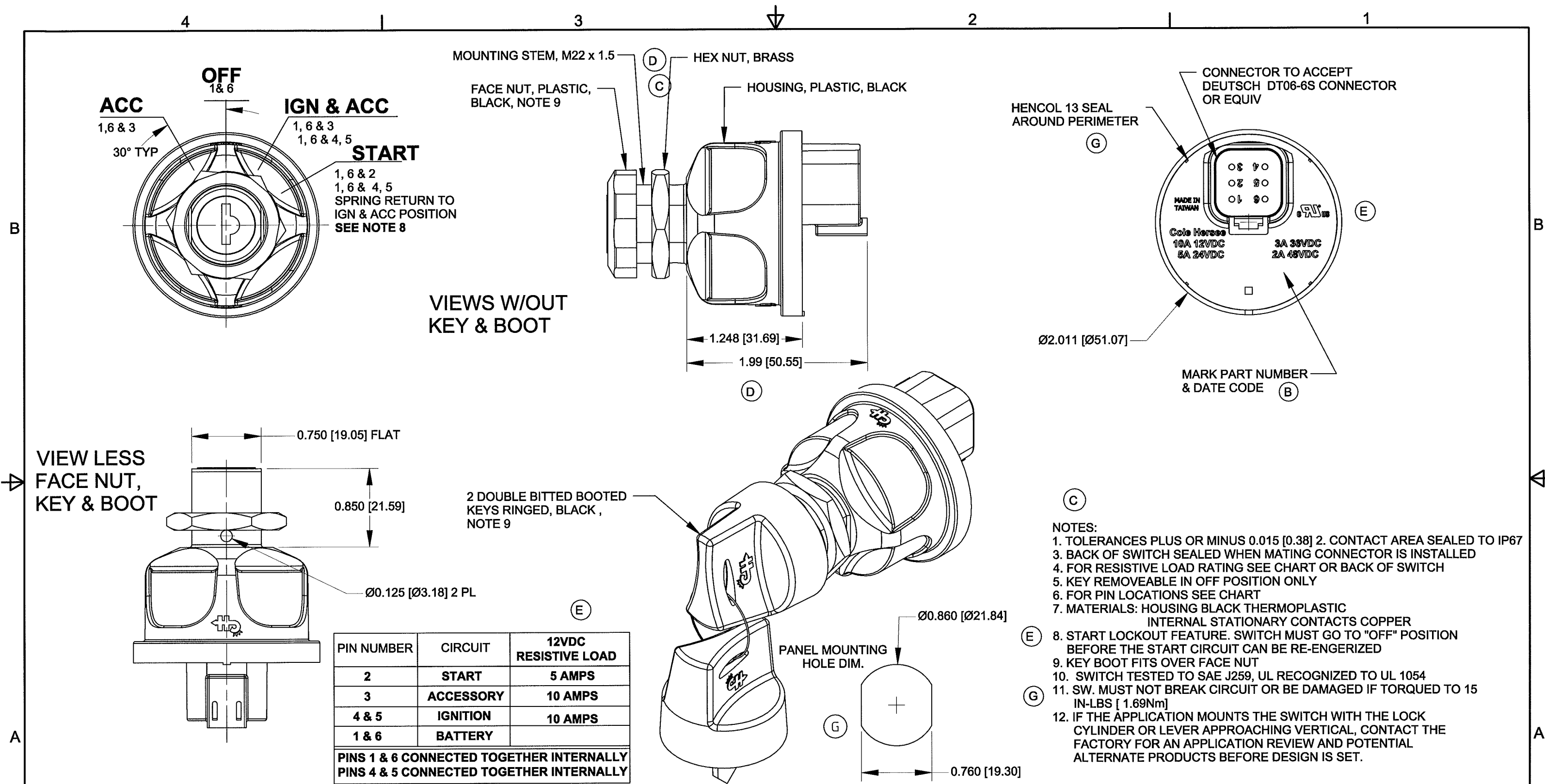
Created using Autocad Inventor

Cole Hersee Co.
 20 Old Colony Ave., South Boston, MA, 02127
 Phn: 617-268-2100 Web: www.colehersee.com

Description:
SW, ROT, 4POS, PLSTC

Drawing / Part No.:
95060

Current Rev.:
J



- NOTES:**
1. TOLERANCES PLUS OR MINUS 0.015 [0.38]
 2. CONTACT AREA SEALED TO IP67
 3. BACK OF SWITCH SEALED WHEN MATING CONNECTOR IS INSTALLED
 4. FOR RESISTIVE LOAD RATING SEE CHART OR BACK OF SWITCH
 5. KEY REMOVEABLE IN OFF POSITION ONLY
 6. FOR PIN LOCATIONS SEE CHART
 7. MATERIALS: HOUSING BLACK THERMOPLASTIC
INTERNAL STATIONARY CONTACTS COPPER
 8. START LOCKOUT FEATURE. SWITCH MUST GO TO "OFF" POSITION BEFORE THE START CIRCUIT CAN BE RE-ENERGIZED
 9. KEY BOOT FITS OVER FACE NUT
 10. SWITCH TESTED TO SAE J259, UL RECOGNIZED TO UL 1054
 11. SW. MUST NOT BREAK CIRCUIT OR BE DAMAGED IF TORQUED TO 15 IN-LBS [1.69Nm]
 12. IF THE APPLICATION MOUNTS THE SWITCH WITH THE LOCK CYLINDER OR LEVER APPROACHING VERTICAL, CONTACT THE FACTORY FOR AN APPLICATION REVIEW AND POTENTIAL ALTERNATE PRODUCTS BEFORE DESIGN IS SET.

Revision Control Record			
Rev.	Description of Change	ECN No.	Date
G	ADDED HENCOL 13; ADDED TORQUE NOTE	13167	6/17/13
F	ADDED MADE IN TAIWAN	11215	7/15/11
E	ADDED CHART & UL	10254	6/24/10

Revision Control Record			
Rev.	Description of Change	ECN No.	Date
D	ADDED HEX NUT, 1.950	07102	3/30/07
C	REVISED NOTES; DELETED HEX NUT	07049	2/15/07
B	ADD NOTES	06325	10/4/06
A	RELEASED DRAWING	06287	8/11/06

Tolerances Unless otherwise specifically noted, the following are default tolerances:
 • 2-place Decimal Dimensions +/- .02"
 • 3-place Decimal Dimensions +/- .005"
 • Angular Dimensions +/- 1.0 Deg.
 • Metric: Refer to equivalent English Dimension Tolerance
 >>> NOTE: All tolerances are Non-Cumulative. <<<

Dimensional Units All dimensions are expressed in inches except those shown in brackets (xxx) are expressed in millimeters

REF. or an Asterisk (*) = Non-Toleranced Reference Dimension, shown for clarification purposes only.

Used On or Ref.: **EX28124** Scale: 1:1

PROPRIETARY INFORMATION This Engineering Drawing, and the information contained herein, is proprietary to Cole Hersee Company and may not be disclosed, re-produced, or in any other way transferred or communicated to any other party without the express written consent of an authorized representative of Cole Hersee Company.

DESIGN CONTROL It is the responsibility of the individual using / referencing this drawing to assure that the noted design revision level agrees with the revision level of the Controlled Document (Master Drawing). This is a NON-CONTROLLED DOCUMENT unless otherwise specifically noted.

DO NOT SCALE - Dimensional variation may occur during printing / reproduction.

Drawn By: **DPS** Date Drawn: **8/11/06**

Special Characteristics:

- CC Critical Characteristic, relating to Safety and/or Regulatory Compliance
- X Significant Characteristic relating to Process Control (SPC)
- KC Control Dimension relating to Form - Fit - Function as defined by Cole Hersee Company and/or the Customer

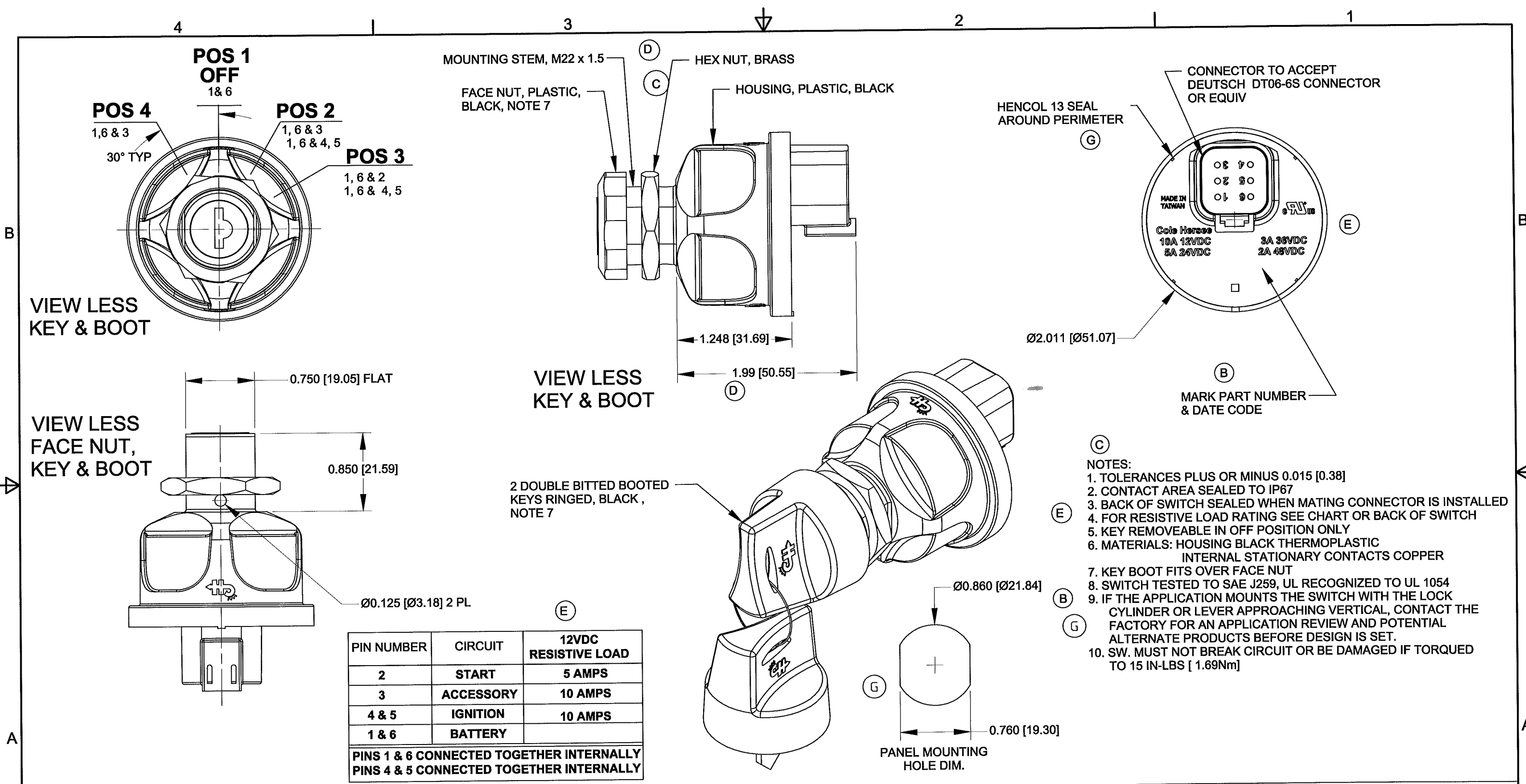
(Note that the identification of any Characteristics as being "Special" does not alter the requirement that ALL specified dimensions & tolerances must be met.)

Responsible Engineer: **JT** **PAGE 1**
Created using Autocad Inventor

Cole Hersee Co.
 20 Old Colony Ave., South Boston, MA, 02127
 Phn: 617-268-2100 Web: www.colehersee.com

Description:
SW, ROT, 4POS, PLSTC

Drawing / Part No.: **95060-01** Current Rev. **G**



PIN NUMBER	CIRCUIT	12VDC RESISTIVE LOAD
2	START	5 AMPS
3	ACCESSORY	10 AMPS
4 & 5	IGNITION	10 AMPS
1 & 6	BATTERY	

PINS 1 & 6 CONNECTED TOGETHER INTERNALLY
PINS 4 & 5 CONNECTED TOGETHER INTERNALLY

- NOTES:**
1. TOLERANCES PLUS OR MINUS 0.015 [0.38]
 2. CONTACT AREA SEALED TO IP67
 3. BACK OF SWITCH SEALED WHEN MATING CONNECTOR IS INSTALLED
 4. FOR RESISTIVE LOAD RATING SEE CHART OR BACK OF SWITCH
 5. KEY REMOVEABLE IN OFF POSITION ONLY
 6. MATERIALS: HOUSING BLACK THERMOPLASTIC
INTERNAL STATIONARY CONTACTS COPPER
 7. KEY BOOT FITS OVER FACE NUT
 8. SWITCH TESTED TO SAE J259, UL RECOGNIZED TO UL 1054
 9. IF THE APPLICATION MOUNTS THE SWITCH WITH THE LOCK CYLINDER OR LEVER APPROACHING VERTICAL, CONTACT THE FACTORY FOR AN APPLICATION REVIEW AND POTENTIAL ALTERNATE PRODUCTS BEFORE DESIGN IS SET.
 10. SW. MUST NOT BREAK CIRCUIT OR BE DAMAGED IF TORQUED TO 15 IN-LBS [1.69Nm]

Revision Control Record			
Rev.	Description of Change	ECN No.	Date
G	ADDED HENCOL 13	13167	6/17/13
F	ADDED MADE IN TAIWAN	11215	7/15/11
E	ADDED CHART & UL	10254	6/24/10

Revision Control Record			
Rev.	Description of Change	ECN No.	Date
D	ADDED HEX NUT, 1.950	07102	3/30/07
C	REVISED NOTES; DELETED HEX NUT	07049	2/15/07
B	ADD NOTES	06325	10/4/06
A	RELEASED DRAWING	06287	8/11/06

Tolerances Unless otherwise specifically noted, the following are default tolerances;
 * 2-place Decimal Dimensions +/- .02"
 * 3-place Decimal Dimensions +/- .005"
 * Angular Dimensions +/- 1.0 Deg.
 * Metric: Refer to equivalent English Dimension Tolerance
 >>> NOTE: All tolerances are Non-Cumulative. <<<

Dimensional Units All dimensions are expressed in inches except those shown in brackets (xxx) are expressed in millimeters

"REF." or an Asterisk (*) = Non-Toleranced Reference Dimension, shown for clarification purposes only.

PROPRIETARY INFORMATION This Engineering Drawing, and the information contained herein, is proprietary to Cole Hersee Company and may not be disclosed, re-produced, or in any other way transferred or communicated to any other party without the express written consent of an authorized representative of Cole Hersee Company.

DESIGN CONTROL It is the responsibility of the Individual using / referencing this drawing to assure that the noted design revision level agrees with the revision level of the Controlled Document (Master Drawing). This is a NON-CONTROLLED DOCUMENT unless otherwise specifically noted.

DO NOT SCALE - Dimensional variation may occur during printing / reproduction.

Special Characteristics:

- Critical Characteristic, relating to Safety and/or Regulatory Compliance
- Significant Characteristic relating to Process Control (SPC)
- Control Dimension relating to Form - Fit - Function as defined by Cole Hersee Company and/or the Customer

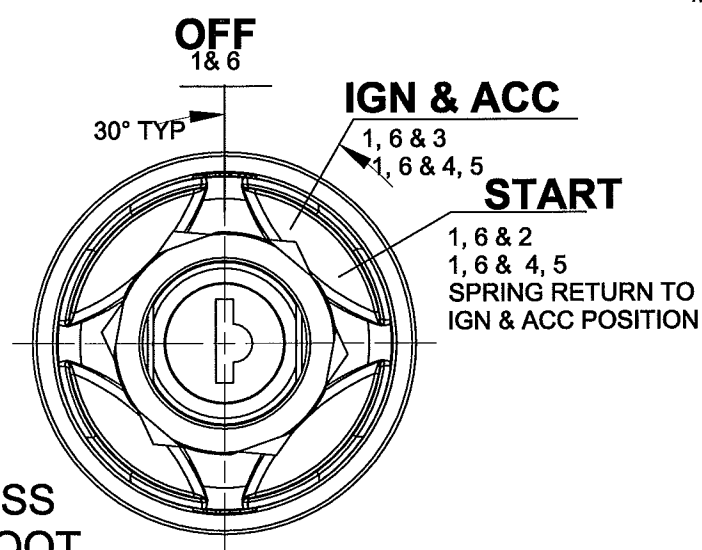
(Note that the identification of any Characteristics as being "Special" does not alter the requirement that ALL specified dimensions & tolerances must be met.)

Cole Hersee Co.
 20 Old Colony Ave., South Boston, MA, 02127
 Phn: 617-268-2100 Web: www.colehersee.com

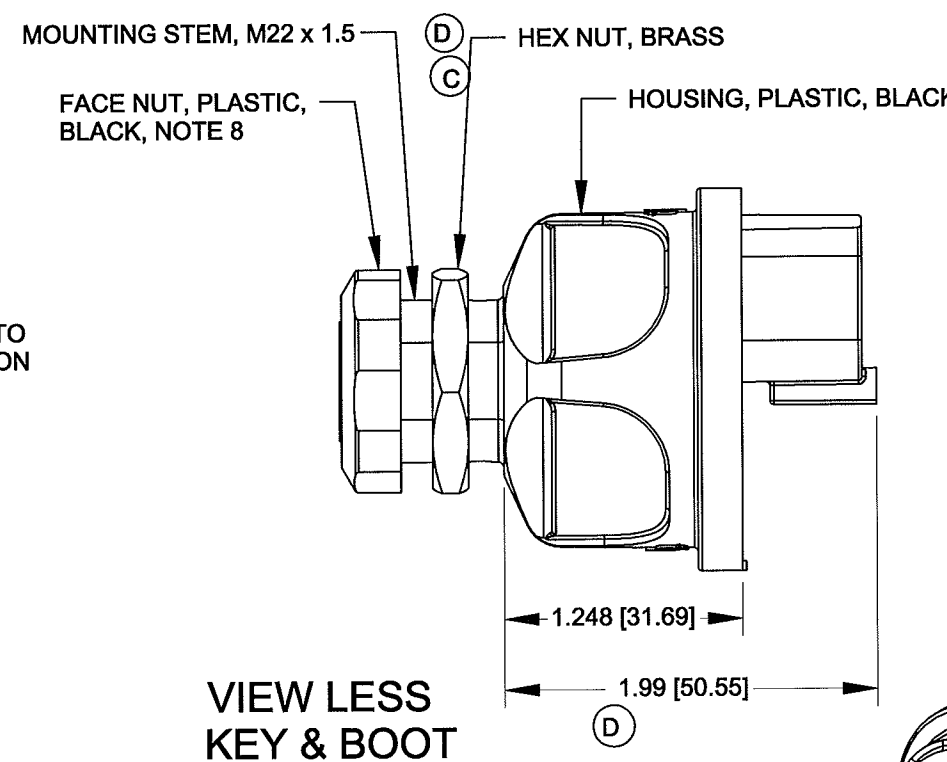
Description:
SW, ROT, 4POS, PLSTC

Drawing / Part No.: **95060-02**

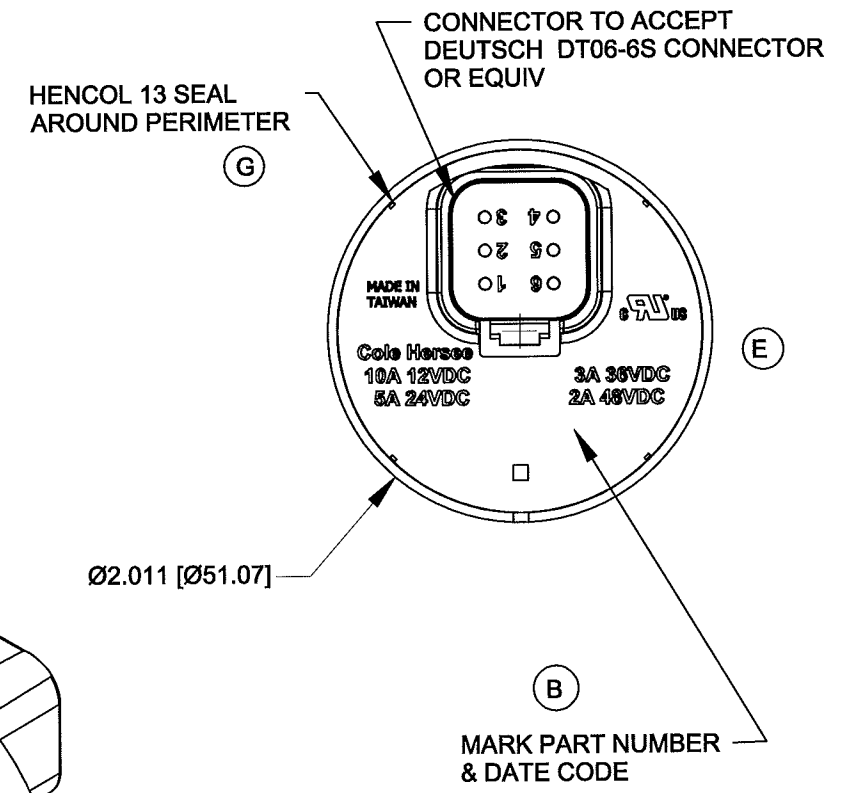
Current Rev.: **G**



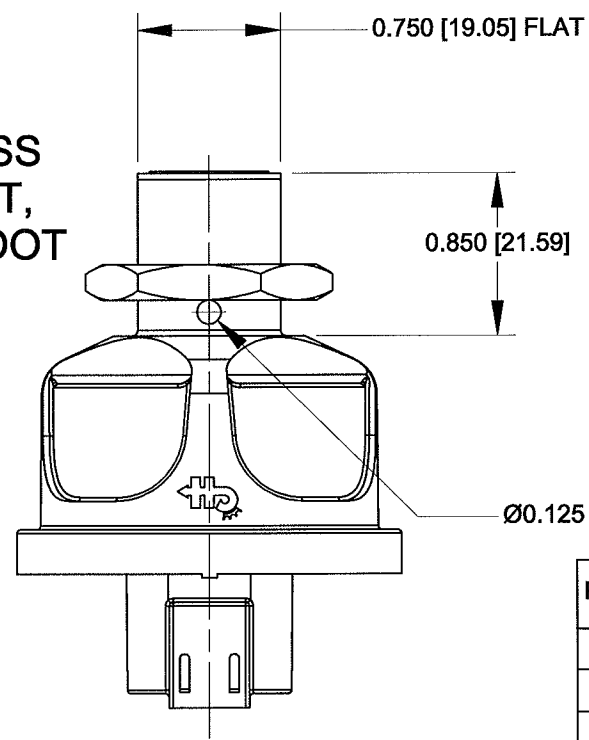
VIEW LESS KEY & BOOT



VIEW LESS KEY & BOOT



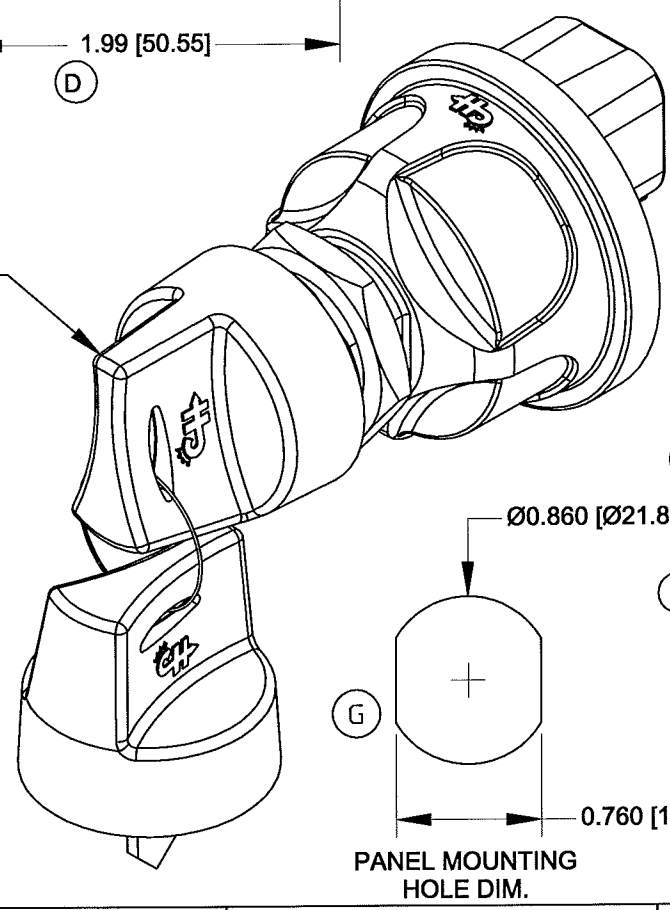
VIEW LESS FACE NUT, KEY & BOOT



2 DOUBLE BITTED BOOTED KEYS RINGED, BLACK, NOTE 8

PIN NUMBER	CIRCUIT	12VDC RESISTIVE LOAD
2	START	5 AMPS
3	ACCESSORY	10 AMPS
4 & 5	IGNITION	10 AMPS
1 & 6	BATTERY	

PINS 1 & 6 CONNECTED TOGETHER INTERNALLY
PINS 4 & 5 CONNECTED TOGETHER INTERNALLY



- NOTES:
1. TOLERANCES PLUS OR MINUS 0.015 [0.38]
 2. CONTACT AREA SEALED TO IP67
 3. BACK OF SWITCH SEALED WHEN MATING CONNECTOR IS INSTALLED
 4. FOR RESISTIVE LOAD RATING SEE CHART OR BACK OF SWITCH
 5. KEY REMOVEABLE IN OFF POSITION ONLY
 6. FOR PIN LOCATIONS SEE CHART
 7. MATERIALS: HOUSING BLACK THERMOPLASTIC
INTERNAL STATIONARY CONTACTS COPPER
 8. KEY BOOT FITS OVER FACE NUT
 9. SWITCH TESTED TO SAE J259, UL RECOGNIZED TO UL 1054
 10. SW. MUST NOT BREAK CIRCUIT OR BE DAMAGED IF TORQUED TO 15 IN-LBS [1.69Nm]
 11. IF THE APPLICATION MOUNTS THE SWITCH WITH THE LOCK CYLINDER OR LEVER APPROACHING VERTICAL, CONTACT THE FACTORY FOR AN APPLICATION REVIEW AND POTENTIAL ALTERNATE PRODUCTS BEFORE DESIGN IS SET.

Rev.	Description of Change	ECN No.	Date
G	ADDED HENCOL 13 NOTE ADDED TORQUE NOTE	13167	6/17/13
F	ADDED MADE IN TAIWAN	11215	7/15/11
E	ADDED CHART & UL	10254	6/24/10

Rev.	Description of Change	ECN No.	Date
D	ADDED HEX NUT, 1.950	07102	3/30/07
C	REVISED NOTES; DELETED HEX NUT	07049	2/15/07
B	ADD NOTES	06325	10/4/06
A	RELEASED DRAWING	06287	8/11/06

Tolerances Unless otherwise specifically noted, the following are default tolerances:
 * 2-place Decimal Dimensions +/- .02"
 * 3-place Decimal Dimensions +/- .005"
 * Angular Dimensions +/- 1.0 Deg.
 * Metric: Refer to equivalent English Dimension Tolerance
 >>> NOTE: All tolerances are Non-Cumulative. <<<

Dimensional Units All dimensions are expressed in inches except those shown in brackets (xxx) are expressed in millimeters

REF. or an Asterisk (*) = Non-Toleranced Reference Dimension, shown for clarification purposes only.

Used On or Ref.: **EX28124**

PROPRIETARY INFORMATION This Engineering Drawing, and the information contained herein, is proprietary to Cole Hersee Company and may not be disclosed, re-produced, or in any other way transferred or communicated to any other party without the express written consent of an authorized representative of Cole Hersee Company.

DESIGN CONTROL It is the responsibility of the individual using / referencing this drawing to assure that the noted design revision level agrees with the revision level of the Controlled Document (Master Drawing). This is a NON-CONTROLLED DOCUMENT unless otherwise specifically noted.

DO NOT SCALE - Dimensional variation may occur during printing / reproduction.

Drawn By: **DPS** Date Drawn: **8/11/06**

Special Characteristics:

- CC Critical Characteristic, relating to Safety and/or Regulatory Compliance
- X Significant Characteristic relating to Process Control (SPC)
- KC Control Dimension relating to Form - Fit - Function as defined by Cole Hersee Company and/or the Customer

(Note that the Identification of any Characteristics as being "Special" does not alter the requirement that ALL specified dimensions & tolerances must be met.)

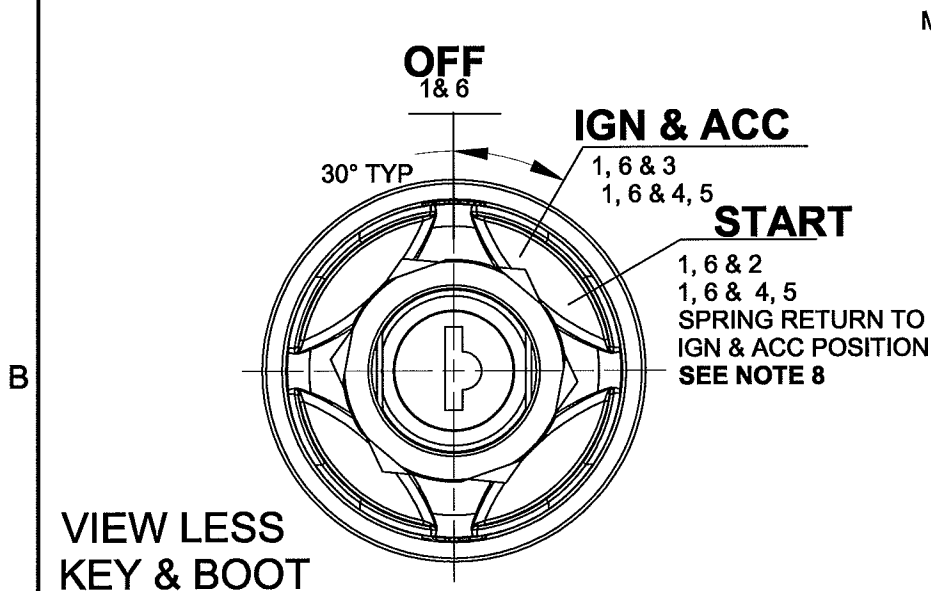
Responsible Engineer: **JT** **PAGE 1**
Created using Autocad Inventor

Cole Hersee Co.
 20 Old Colony Ave., South Boston, MA, 02127
 Phn: 617-268-2100 Web: www.colehersee.com

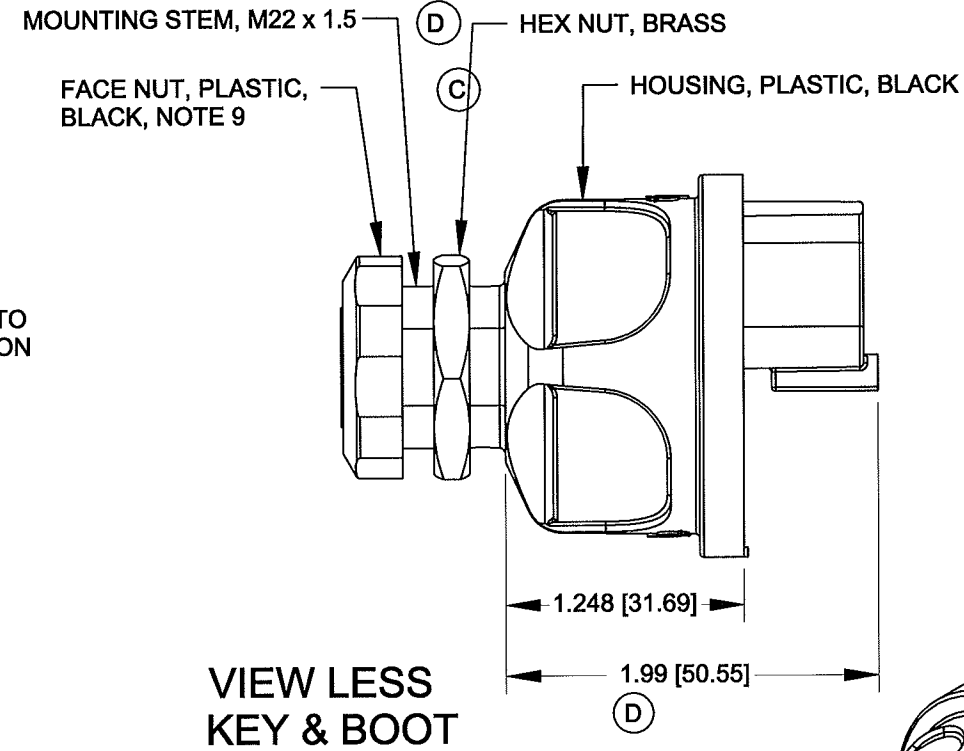
Description:
SW, ROT, 3POS, PLSTC

Drawing / Part No.: **95060-03** **Current Rev. G**

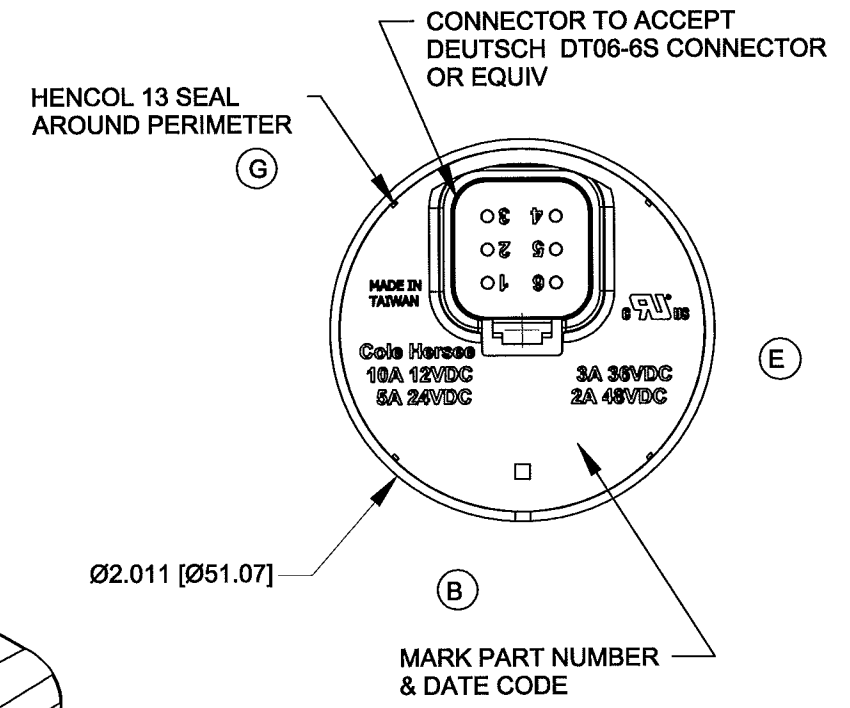
4 3 2 1



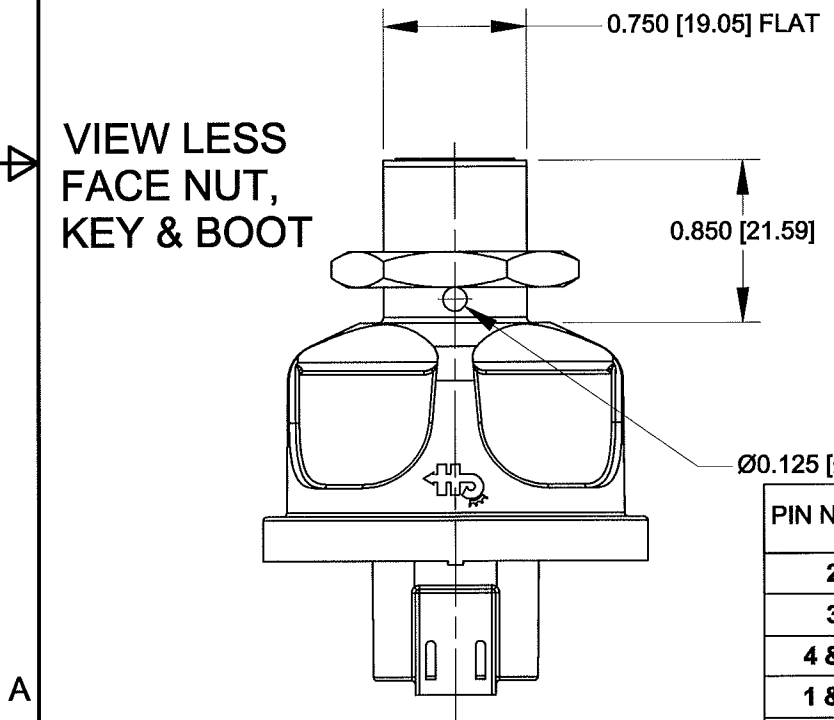
VIEW LESS KEY & BOOT



VIEW LESS KEY & BOOT



MARK PART NUMBER & DATE CODE

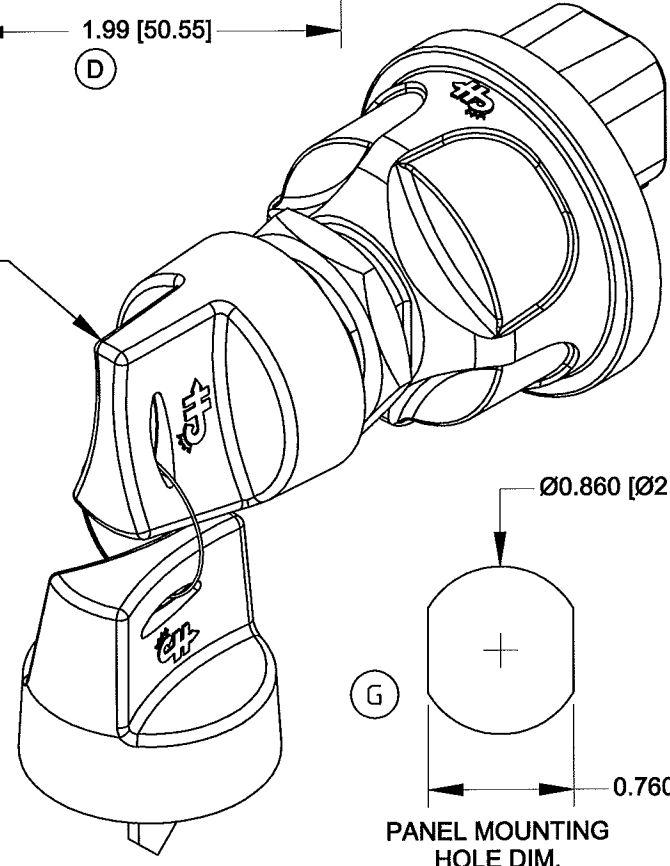


VIEW LESS FACE NUT, KEY & BOOT

2 DOUBLE BITTED BOOTED KEYS RINGED, BLACK, NOTE 9

PIN NUMBER	CIRCUIT	12VDC RESISTIVE LOAD
2	START	5 AMPS
3	ACCESSORY	10 AMPS
4 & 5	IGNITION	10 AMPS
1 & 6	BATTERY	

PINS 1 & 6 CONNECTED TOGETHER INTERNALLY
PINS 4 & 5 CONNECTED TOGETHER INTERNALLY



PANEL MOUNTING HOLE DIM.

NOTES:

1. TOLERANCES PLUS OR MINUS 0.015 [0.38]
2. CONTACT AREA SEALED TO IP67
3. BACK OF SWITCH SEALED WHEN MATING CONNECTOR IS INSTALLED
4. FOR RESISTIVE LOAD RATING SEE CHART OR BACK OF SWITCH
5. KEY REMOVEABLE IN OFF POSITION ONLY
6. FOR PIN LOCATIONS SEE CHART
7. MATERIALS: HOUSING BLACK THERMOPLASTIC
INTERNAL STATIONARY CONTACTS COPPER
8. START LOCKOUT FEATURE. SWITCH MUST GO TO "OFF" POSITION BEFORE THE START CIRCUIT CAN BE RE-ENERGIZED
9. KEY BOOT FITS OVER FACE NUT
10. SWITCH TESTED TO SAE J259, UL RECOGNIZED TO UL 1054
11. SW. MUST NOT BREAK CIRCUIT OR BE DAMAGED IF TORQUED TO 15 IN-LBS [1.69Nm]
12. IF THE APPLICATION MOUNTS THE SWITCH WITH THE LOCK CYLINDER OR LEVER APPROACHING VERTICAL, CONTACT THE FACTORY FOR AN APPLICATION REVIEW AND POTENTIAL ALTERNATE PRODUCTS BEFORE DESIGN IS SET.

Rev.	Description of Change	ECN No.	Date
G	ADDED HENCOL 13 NOTE ADDED TORQUE NOTE	13167	6/17/13
F	ADDED MADE IN TAIWAN	11215	7/15/11
E	ADDED CHART & UL	10254	6/24/10

Rev.	Description of Change	ECN No.	Date
D	ADDED HEX NUT, 1.950	07102	3/30/07
C	REVISED NOTES; DELETED HEX NUT	07049	2/15/07
B	ADDED NOTES	06325	10/4/06
A	RELEASED DRAWING	06287	8/11/06

Tolerances Unless otherwise specifically noted, the following are default tolerances:
 • 2-place Decimal Dimensions +/- .02"
 • 3-place Decimal Dimensions +/- .005"
 • Angular Dimensions +/- 1.0 Deg.
 • Metric: Refer to equivalent English Dimension Tolerance
 >>> NOTE: All tolerances are Non-Cumulative. <<<

Dimensional Units All dimensions are expressed in inches except those shown in brackets (xxx) are expressed in millimeters

"REF." or an Asterisk (*) = Non-Toleranced Reference Dimension, shown for clarification purposes only.

Used On or Ref.: **EX28124**

PROPRIETARY INFORMATION This Engineering Drawing, and the information contained herein, is proprietary to Cole Hersee Company and may not be disclosed, re-produced, or in any other way transferred or communicated to any other party without the express written consent of an authorized representative of Cole Hersee Company.

DESIGN CONTROL It is the responsibility of the individual using / referencing this drawing to assure that the noted design revision level agrees with the revision level of the Controlled Document (Master Drawing). This is a NON-CONTROLLED DOCUMENT unless otherwise specifically noted.

DO NOT SCALE - Dimensional variation may occur during printing / reproduction.

Scale: 1:1

Drawn By: **DPS** Date Drawn: **8/11/06**

Special Characteristics:

- CC Critical Characteristic, relating to Safety and/or Regulatory Compliance
- X Significant Characteristic relating to Process Control (SPC)
- KC Control Dimension relating to Form - Fit - Function as defined by Cole Hersee Company and/or the Customer

(Note that the identification of any Characteristics as being "Special" does not alter the requirement that ALL specified dimensions & tolerances must be met.)

Responsible Engineer: **JT**

Cole Hersee Co.
 20 Old Colony Ave., South Boston, MA, 02127
 Phn: 617-268-2100 Web: www.colehersee.com

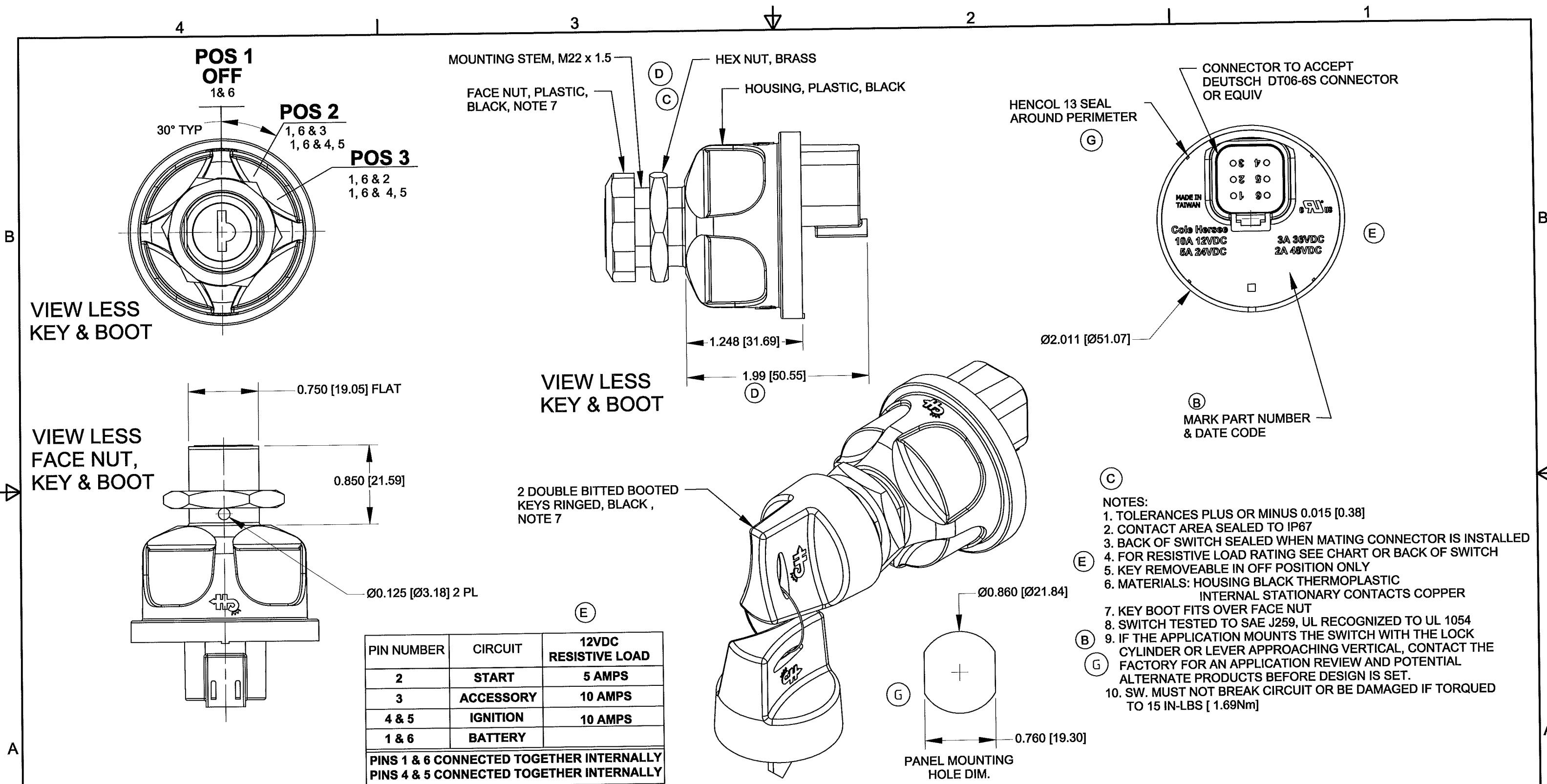
Description:
SW, ROT, 3POS, PLSTC

Drawing / Part No.:
95060-04

Current Rev.:
G

Created using Autocad Inventor

4 3 2 1



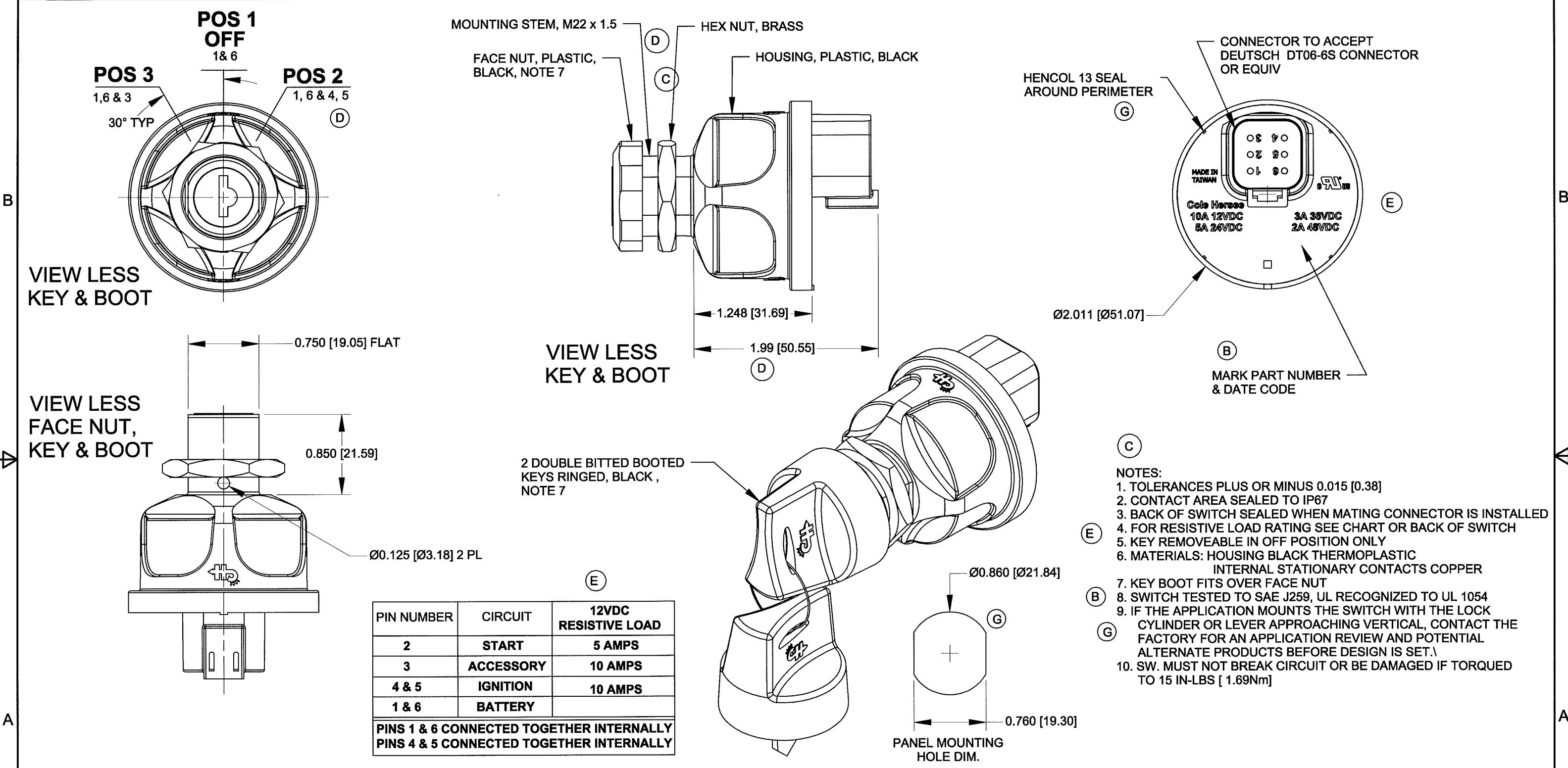
PIN NUMBER	CIRCUIT	12VDC RESISTIVE LOAD
2	START	5 AMPS
3	ACCESSORY	10 AMPS
4 & 5	IGNITION	10 AMPS
1 & 6	BATTERY	

PINS 1 & 6 CONNECTED TOGETHER INTERNALLY
PINS 4 & 5 CONNECTED TOGETHER INTERNALLY

- NOTES:
1. TOLERANCES PLUS OR MINUS 0.015 [0.38]
 2. CONTACT AREA SEALED TO IP67
 3. BACK OF SWITCH SEALED WHEN MATING CONNECTOR IS INSTALLED
 4. FOR RESISTIVE LOAD RATING SEE CHART OR BACK OF SWITCH
 5. KEY REMOVEABLE IN OFF POSITION ONLY
 6. MATERIALS: HOUSING BLACK THERMOPLASTIC
INTERNAL STATIONARY CONTACTS COPPER
 7. KEY BOOT FITS OVER FACE NUT
 8. SWITCH TESTED TO SAE J259, UL RECOGNIZED TO UL 1054
 9. IF THE APPLICATION MOUNTS THE SWITCH WITH THE LOCK CYLINDER OR LEVER APPROACHING VERTICAL, CONTACT THE FACTORY FOR AN APPLICATION REVIEW AND POTENTIAL ALTERNATE PRODUCTS BEFORE DESIGN IS SET.
 10. SW. MUST NOT BREAK CIRCUIT OR BE DAMAGED IF TORQUED TO 15 IN-LBS [1.69Nm]

Revision Control Record				Revision Control Record				Tolerances		PROPRIETARY INFORMATION		Special Characteristics:		Cole Hersee Co.	
Rev.	Description of Change	ECN No.	Date	Rev.	Description of Change	ECN No.	Date	Unless otherwise specifically noted, the following are default tolerances:	This Engineering Drawing, and the information contained herein, is proprietary to Cole Hersee Company and may not be disclosed, re-produced, or in any other way transferred or communicated to any other party without the express written consent of an authorized representative of Cole Hersee Company.	CC	Critical Characteristic, relating to Safety and/or Regulatory Compliance	20 Old Colony Ave., South Boston, MA, 02127 Phn: 617-268-2100 Web: www.colehersee.com			
				D	ADDED HEX NUT, 1.950	07102	3/30/07	* 2-place Decimal Dimensions +/- .02" * 3-place Decimal Dimensions +/- .005" * Angular Dimensions +/- 1.0 Deg. * Matric: Refer to equivalent English Dimension Tolerance >>> NOTE: All tolerances are Non-Cumulative. <<<		X	Significant Characteristic relating to Process Control (SPC)	Description: SW, ROT, 3POS, PLSTC			
G	ADDED HENCOL 13	13167	6/17/13	C	REVISED NOTES; DELETED HEX NUT	07049	2/15/07	Dimensional Units All dimensions are expressed in inches except those shown in brackets (xxx) are expressed in millimeters	DO NOT SCALE - Dimensional variation may occur during printing / reproduction.	KC	Control Dimension relating to Form - Fit - Function as defined by Cole Hersee Company and/or the Customer	Drawing / Part No.:	95060-05		
F	ADDED MADE IN TAIWAN	11215	7/15/11	B	ADDED NOTES	06325	10/4/06	"REF." or an Asterisk (*) = Non-Toleranced Reference Dimension, shown for clarification purposes only.	Used On or Ref.:	EX28124	Scale: 1:1	Responsible Engineer: JT	Current Rev.:	G	
E	ADDED CHART & UL	10254	6/24/10	A	RELEASED DRAWING	06287	8/11/06		Drawn By: DPS	Date Drawn: 8/11/06	Page 1 Created using Autocad Inventor				

4 3 2 1



PIN NUMBER	CIRCUIT	12VDC RESISTIVE LOAD
2	START	5 AMPS
3	ACCESSORY	10 AMPS
4 & 5	IGNITION	10 AMPS
1 & 6	BATTERY	

PINS 1 & 6 CONNECTED TOGETHER INTERNALLY
PINS 4 & 5 CONNECTED TOGETHER INTERNALLY

- NOTES:
1. TOLERANCES PLUS OR MINUS 0.015 [0.38]
 2. CONTACT AREA SEALED TO IP67
 3. BACK OF SWITCH SEALED WHEN MATING CONNECTOR IS INSTALLED
 4. FOR RESISTIVE LOAD RATING SEE CHART OR BACK OF SWITCH
 5. KEY REMOVEABLE IN OFF POSITION ONLY
 6. MATERIALS: HOUSING BLACK THERMOPLASTIC
INTERNAL STATIONARY CONTACTS COPPER
 7. KEY BOOT FITS OVER FACE NUT
 8. SWITCH TESTED TO SAE J259, UL RECOGNIZED TO UL 1054
 9. IF THE APPLICATION MOUNTS THE SWITCH WITH THE LOCK CYLINDER OR LEVER APPROACHING VERTICAL, CONTACT THE FACTORY FOR AN APPLICATION REVIEW AND POTENTIAL ALTERNATE PRODUCTS BEFORE DESIGN IS SET.
 10. SW. MUST NOT BREAK CIRCUIT OR BE DAMAGED IF TORQUED TO 15 IN-LBS [1.69Nm]

Rev.	Description of Change	ECN No.	Date
G	ADDED HENCOL 13	13169	6/17/13
F	ADDED MADE IN TAIWAN	11215	7/15/11
E	ADDED CHART & UL	10254	6/24/10

Rev.	Description of Change	ECN No.	Date
D	REVISED CIRCUITRY; ADDED HEX NUT; 1.950	07103	4/2/07
C	REVISED NOTES; DELETED HEX NUT	07049	2/15/07
B	ADDED NOTES	06325	10/4/06
A	RELEASED DRAWING	06287	8/11/06

Tolerances Unless otherwise specifically noted, the following are default tolerances:
 • 2-place Decimal Dimensions +/- .02"
 • 3-place Decimal Dimensions +/- .005"
 • Angular Dimensions +/- 1.0 Deg.
 • Metric: Refer to equivalent English Dimension Tolerance
 >>> NOTE: All tolerances are Non-Cumulative. <<<

Dimensional Units All dimensions are expressed in inches except those shown in brackets (xxx) are expressed in millimeters

"REF." or an Asterisk (*) = Non-Toleranced Reference Dimension, shown for clarification purposes only.

Used On **EX28124** Scale: 1:1

PROPRIETARY INFORMATION This Engineering Drawing, and the information contained herein, is proprietary to Cole Hersee Company and may not be disclosed, re-produced, or in any other way transferred or communicated to any other party without the express written consent of an authorized representative of Cole Hersee Company.

DESIGN CONTROL It is the responsibility of the individual using / referencing this drawing to assure that the noted design revision level agrees with the revision level of the Controlled Document (Master Drawing). This is a NON-CONTROLLED DOCUMENT unless otherwise specifically noted.

DO NOT SCALE - Dimensional variation may occur during printing / reproduction.

Drawn By: **DPS** Date Drawn: **8/11/06**

Special Characteristics:

- CC Critical Characteristic, relating to Safety and/or Regulatory Compliance
- X Significant Characteristic relating to Process Control (SPC)
- KC Control Dimension relating to Form - Fit - Function as defined by Cole Hersee Company and/or the Customer

(Note that the identification of any Characteristics as being "Special" does not alter the requirement that ALL specified dimensions & tolerances must be met.)

Responsible Engineer: **JT** **PAGE 1** Created using Autocad Inventor

Cole Hersee Co.
 20 Old Colony Ave., South Boston, MA, 02127
 Phn: 617-268-2100 Web: www.colehersee.com

Description:
SW, ROT, 3POS, PLSTC

Drawing / Part No.: **95060-06** Current Rev. **G**

4 3 2 1

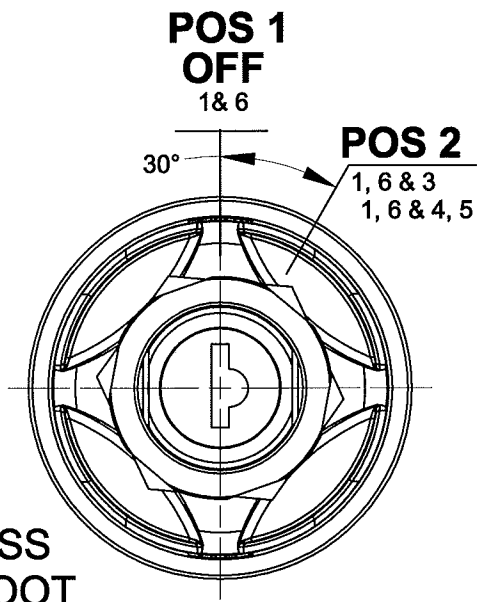
4 3 2 1

B

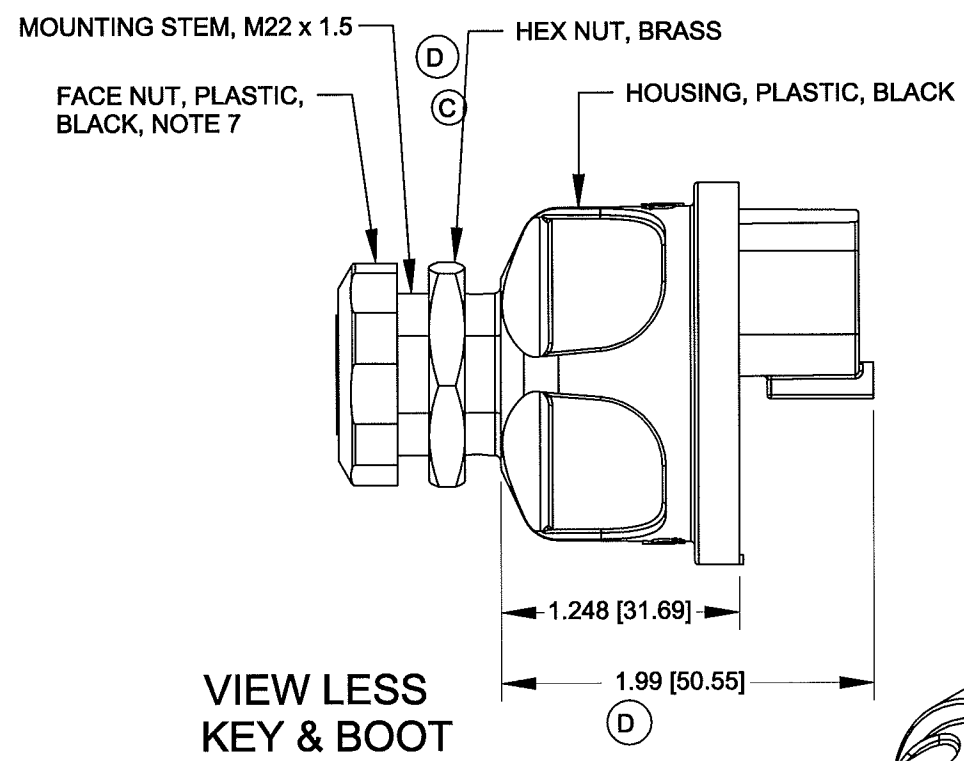
B

A

A



VIEW LESS KEY & BOOT



VIEW LESS KEY & BOOT

HENCOL 13 SEAL AROUND PERIMETER

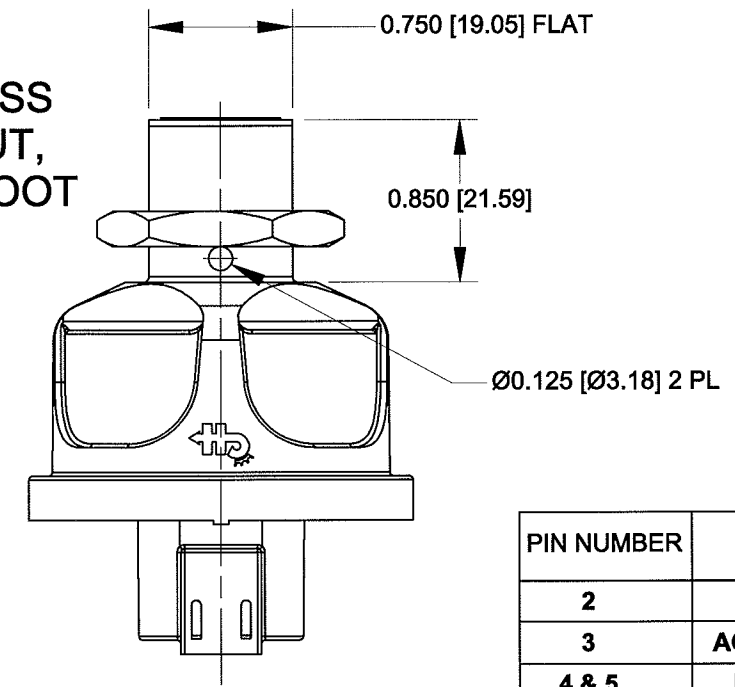
(G)

CONNECTOR TO ACCEPT DEUTSCH DT06-6S CONNECTOR OR EQUIV

Ø2.011 [Ø51.07]

(B) MARK PART NUMBER & DATE CODE

VIEW LESS FACE NUT, KEY & BOOT

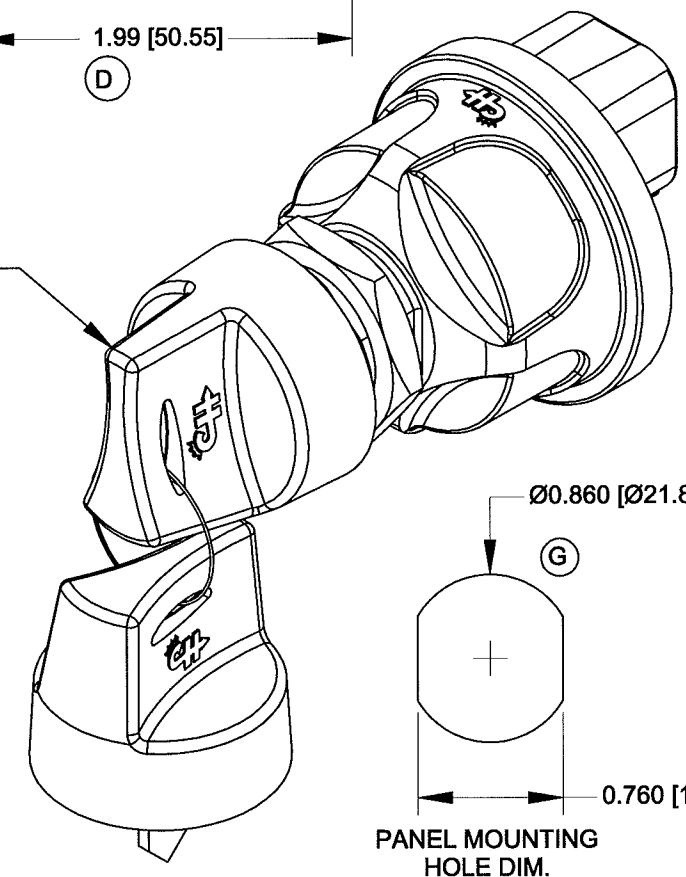


2 DOUBLE BITTED BOOTED KEYS RINGED, BLACK, NOTE 7

(E)

PIN NUMBER	CIRCUIT	12VDC RESISTIVE LOAD
2	START	5 AMPS
3	ACCESSORY	10 AMPS
4 & 5	IGNITION	10 AMPS
1 & 6	BATTERY	

PINS 1 & 6 CONNECTED TOGETHER INTERNALLY
PINS 4 & 5 CONNECTED TOGETHER INTERNALLY



PANEL MOUNTING HOLE DIM.

NOTES:

1. TOLERANCES PLUS OR MINUS 0.015 [0.38]
2. CONTACT AREA SEALED TO IP67
3. BACK OF SWITCH SEALED WHEN MATING CONNECTOR IS INSTALLED
4. FOR RESISTIVE LOAD RATING SEE CHART OR BACK OF SWITCH
5. KEY REMOVEABLE IN OFF POSITION ONLY
6. MATERIALS: HOUSING BLACK THERMOPLASTIC
INTERNAL STATIONARY CONTACTS COPPER
7. KEY BOOT FITS OVER FACE NUT
8. SWITCH TESTED TO SAE J259, UL RECOGNIZED TO UL 1054
9. IF THE APPLICATION MOUNTS THE SWITCH WITH THE LOCK CYLINDER OR LEVER APPROACHING VERTICAL, CONTACT THE FACTORY FOR AN APPLICATION REVIEW AND POTENTIAL ALTERNATE PRODUCTS BEFORE DESIGN IS SET.
10. SW. MUST NOT BREAK CIRCUIT OR BE DAMAGED IF TORQUED TO 15 IN-LBS [1.69Nm]

Rev.	Description of Change	ECN No.	Date
G	ADDED HENCOL 13	13169	6/17/13
F	ADDED MADE IN TAIWAN	11215	7/15/11
E	ADDED CHART & UL	10254	6/24/10

Rev.	Description of Change	ECN No.	Date
D	ADDED HEX NUT, 1.950	07102	3/30/07
C	REVISED NOTES; DELETED HEX NUT	07049	2/15/07
B	ADDED NOTES	06325	10/4/06
A	RELEASED DRAWING	06287	8/11/06

Tolerances Unless otherwise specifically noted, the following are default tolerances:
 * 2-place Decimal Dimensions +/- .02"
 * 3-place Decimal Dimensions +/- .005"
 * Angular Dimensions +/- 1.0 Deg.
 * Metric: Refer to equivalent English Dimensional Tolerance
 >>> NOTE: All tolerances are Non-Cumulative. <<<

Dimensional Units All dimensions are expressed in inches except those shown in brackets (xxx) are expressed in millimeters

"REF." or an Asterisk (*) = Non-Toleranced Reference Dimension, shown for clarification purposes only.

Used On **EX28124** Scale: 1:1

PROPRIETARY INFORMATION This Engineering Drawing, and the information contained herein, is proprietary to Cole Hersee Company and may not be disclosed, re-produced, or in any other way transferred or communicated to any other party without the express written consent of an authorized representative of Cole Hersee Company.

DESIGN CONTROL It is the responsibility of the individual using / referencing this drawing to assure that the noted design revision level agrees with the revision level of the Controlled Document (Master Drawing). This is a NON-CONTROLLED DOCUMENT unless otherwise specifically noted.

DO NOT SCALE - Dimensional variation may occur during printing / reproduction.

Drawn By: **DPS** Date Drawn: **8/11/06**

Special Characteristics:

- CC Critical Characteristic, relating to Safety and/or Regulatory Compliance
- X Significant Characteristic relating to Process Control (SPC)
- KC Control Dimension relating to Form - Fit - Function as defined by Cole Hersee Company and/or the Customer

(Note that the identification of any Characteristics as being "Special" does not alter the requirement that ALL specified dimensions & tolerances must be met.)

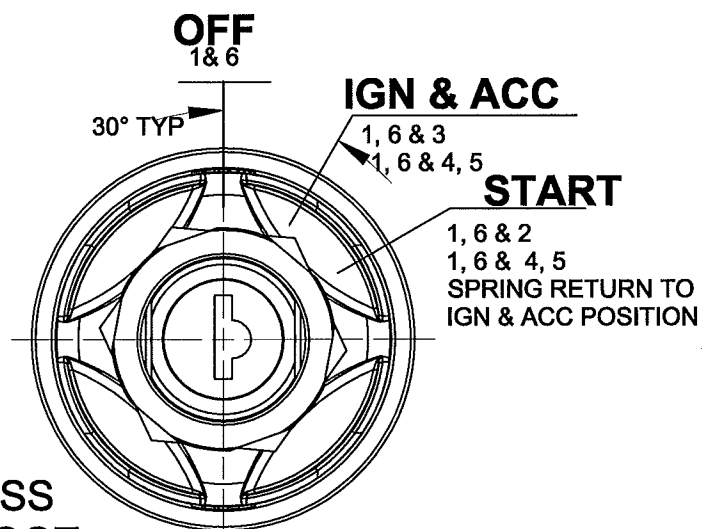
Responsible Engineer: **JT** **PAGE 1**
Created using Autocad Inventor

Cole Hersee Co.
 20 Old Colony Ave., South Boston, MA, 02127
 Phn: 617-268-2100 Web: www.colehersee.com

Description: **SW, ROT, 2POS, PLSTC**

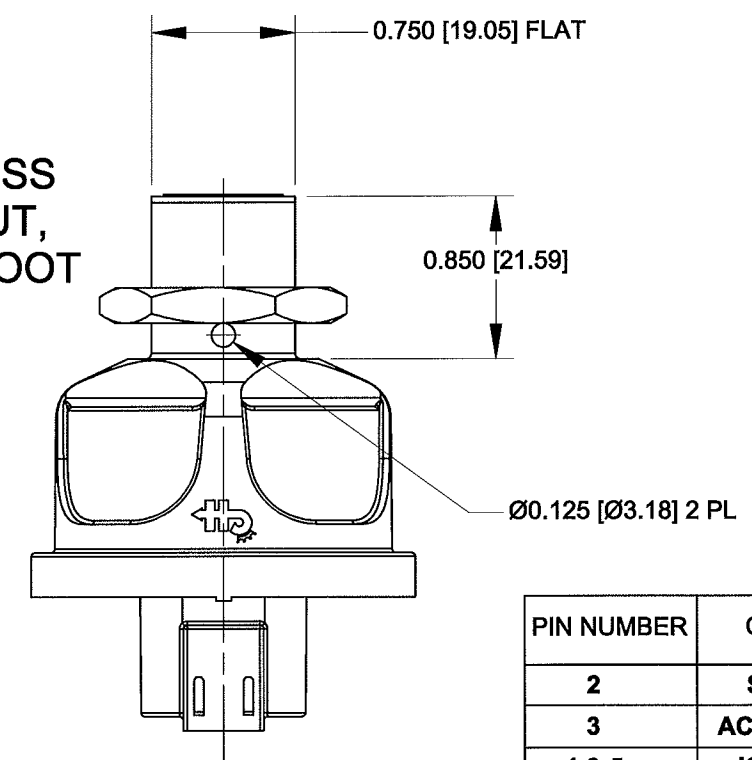
Drawing / Part No.: **95060-07** Current Rev.: **G**

4 3 2 1



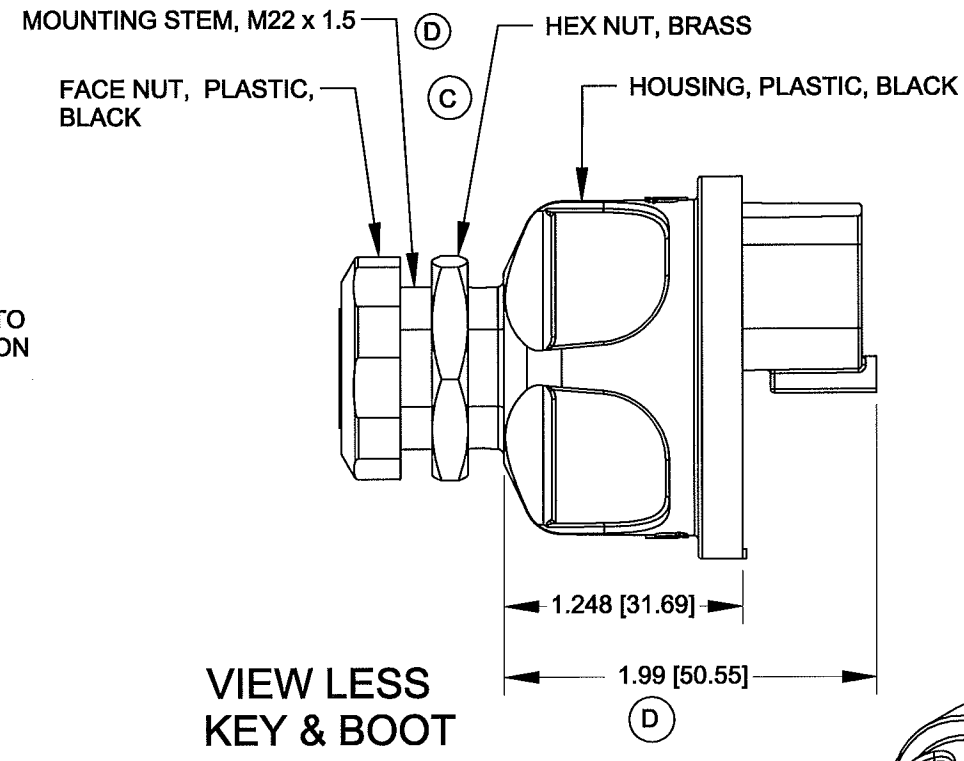
VIEW LESS KEY & BOOT

VIEW LESS FACE NUT, KEY & BOOT



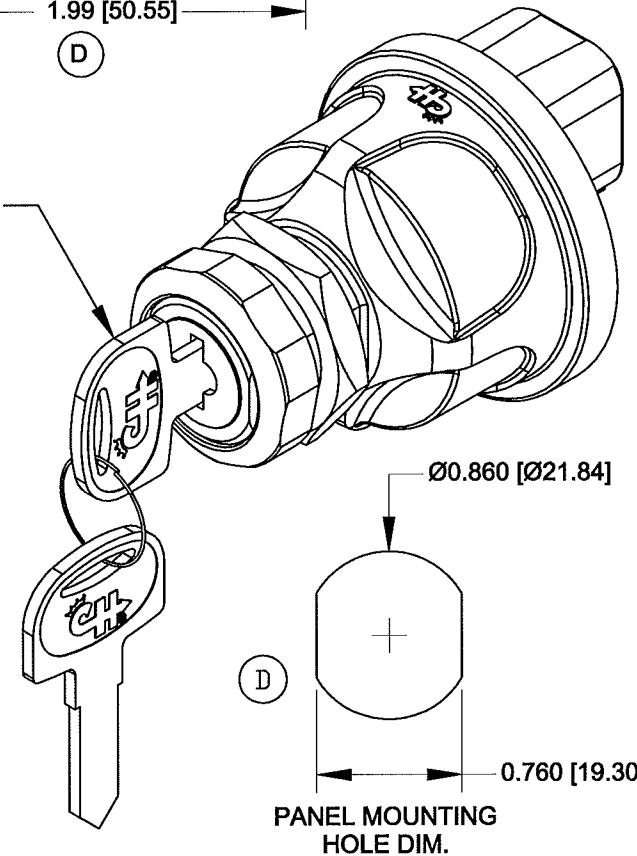
PIN NUMBER	CIRCUIT	12VDC RESISTIVE LOAD
2	START	5 AMPS
3	ACCESSORY	10 AMPS
4 & 5	IGNITION	10 AMPS
1 & 6	BATTERY	

PINS 1 & 6 CONNECTED TOGETHER INTERNALLY
PINS 4 & 5 CONNECTED TOGETHER INTERNALLY

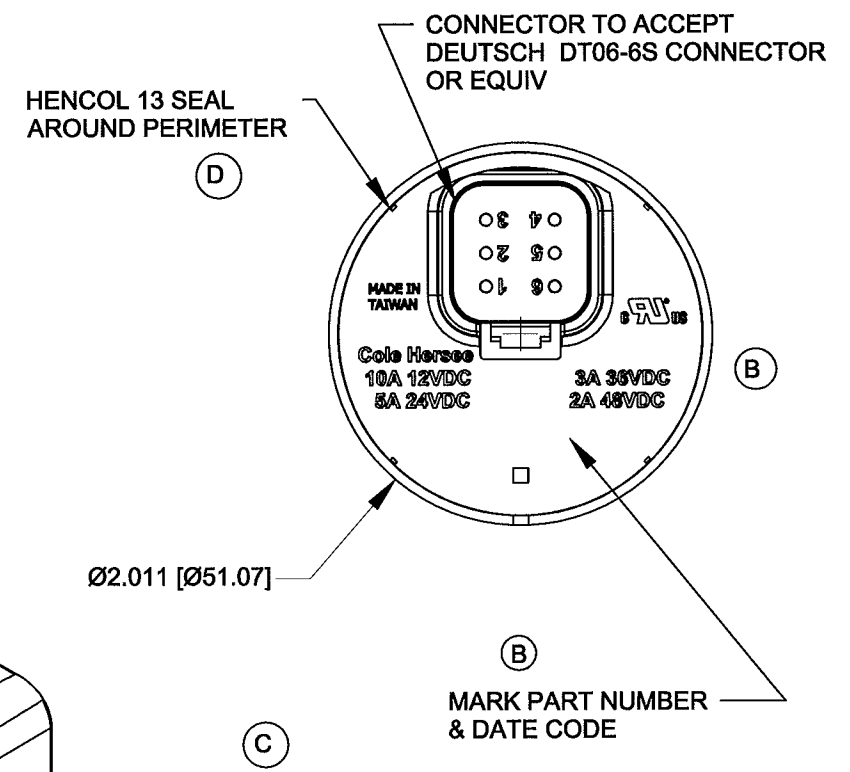


VIEW LESS KEY & BOOT

2 DOUBLE BITTED KEYS RINGED



PANEL MOUNTING HOLE DIM.



NOTES:

- TOLERANCES PLUS OR MINUS 0.015 [0.38]
- CONTACT AREA SEALED TO IP67
- BACK OF SWITCH SEALED WHEN MATING CONNECTOR IS INSTALLED
- FOR RESISTIVE LOAD RATING SEE CHART OR BACK OF SWITCH
- KEY REMOVEABLE IN OFF POSITION ONLY
- PIN LOCATIONS SEE CHART
- MATERIALS: HOUSING BLACK THERMOPLASTIC
INTERNAL STATIONARY CONTACTS COPPER
- SWITCH TESTED TO SAE J259, UL RECOGNIZED TO UL 1054
- SWITCH TO BE SUPPLIED WITH 10 KEY CODES 601-605, 701-705
- SW. MUST NOT BREAK CIRCUIT OR BE DAMAGED IF TORQUED TO 15 IN-LBS [1.69Nm]
- IF THE APPLICATION MOUNTS THE SWITCH WITH THE LOCK CYLINDER OR LEVER APPROACHING VERTICAL, CONTACT THE FACTORY FOR AN APPLICATION REVIEW AND POTENTIAL ALTERNATE PRODUCTS BEFORE DESIGN IS SET.

Rev.	Description of Change	ECN No.	Date
D	ADDED HENCOL 13; ADDED TORQUE NOTE	13171	6/17/13
C	ADDED MADE IN TAIWAN	11215	7/15/11
B	ADDED CHART & UL	10254	6/24/10
A	RELEASED DRAWING	07119	4/09/07

Tolerances Unless otherwise specifically noted, the following are default tolerances:
 • 2-place Decimal Dimensions +/- .02"
 • 3-place Decimal Dimensions +/- .005"
 • Angular Dimensions +/- 1.0 Deg.
 • Metric: Refer to equivalent English Dimension Tolerance
 >>> NOTE: All tolerances are Non-Cumulative. <<<

Dimensional Units All dimensions are expressed in inches except those shown in brackets (xxx) are expressed in millimeters

"REF." or an Asterisk (*) = Non-Toleranced Reference Dimension, shown for clarification purposes only.

PROPRIETARY INFORMATION This Engineering Drawing, and the information contained herein, is proprietary to Cole Hersee Company and may not be disclosed, re-produced, or in any other way transferred or communicated to any other party without the express written consent of an authorized representative of Cole Hersee Company.

DESIGN CONTROL It is the responsibility of the individual using / referencing this drawing to assure that the noted design revision level agrees with the revision level of the Controlled Document (Master Drawing). This is a NON-CONTROLLED DOCUMENT unless otherwise specifically noted.

DO NOT SCALE - Dimensional variation may occur during printing / reproduction.

Drawn By: **DPS** Date Drawn: **4/09/07** Scale: **1:1**

Special Characteristics:

- CC Critical Characteristic, relating to Safety and/or Regulatory Compliance
- X Significant Characteristic relating to Process Control (SPC)
- KC Control Dimension relating to Form - Fit - Function as defined by Cole Hersee Company and/or the Customer

(Note that the identification of any Characteristics as being "Special" does not alter the requirement that ALL specified dimensions & tolerances must be met.)

Responsible Engineer: **JT** **PAGE 1**
Created using Autocad Inventor

Cole Hersee Co.
 20 Old Colony Ave., South Boston, MA, 02127
 Pnn: 617-268-2100 Web: www.colehersee.com

Description:
SW, ROT, 3POS, PLSTC

Drawing / Part No.: **95060-20** **Current Rev.:** **D**

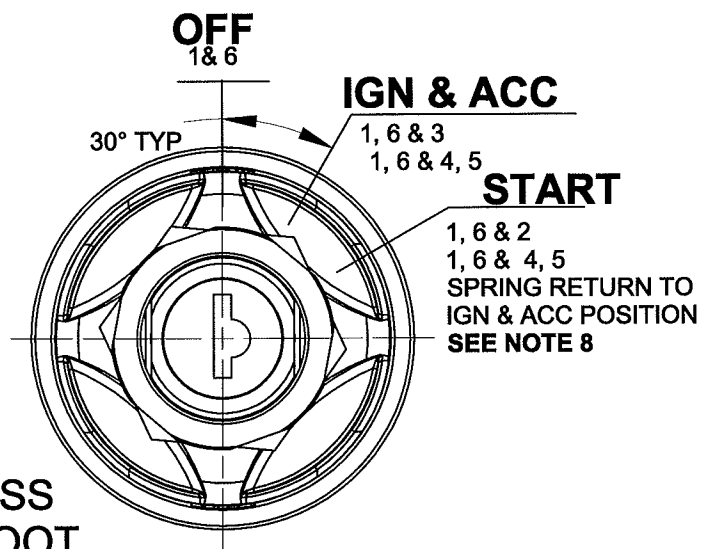
4 | 3 | 2 | 1

B

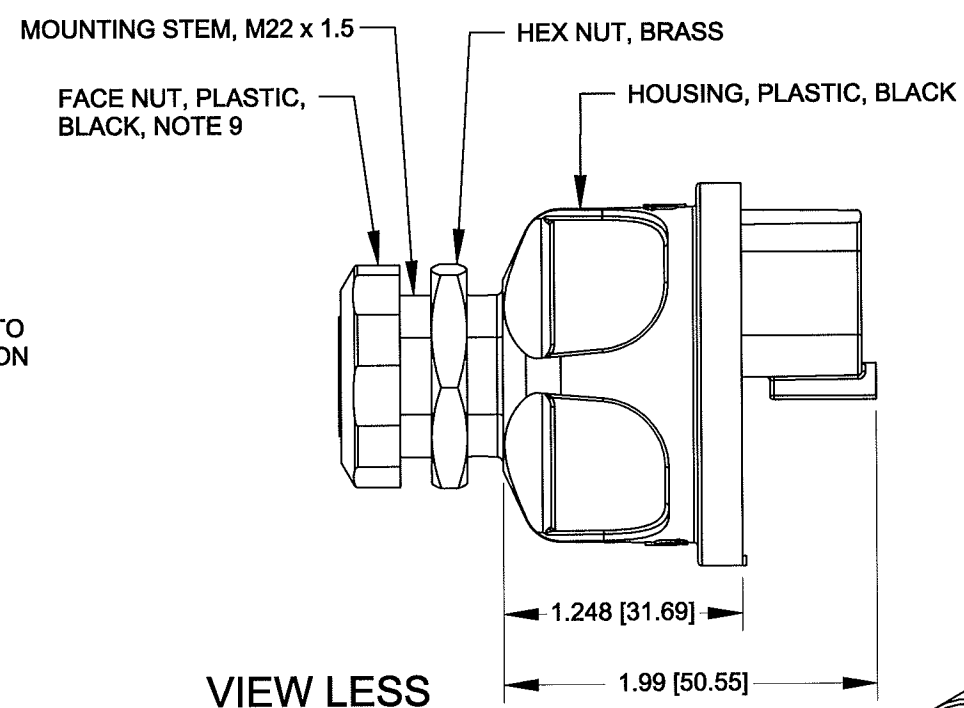
B

A

A

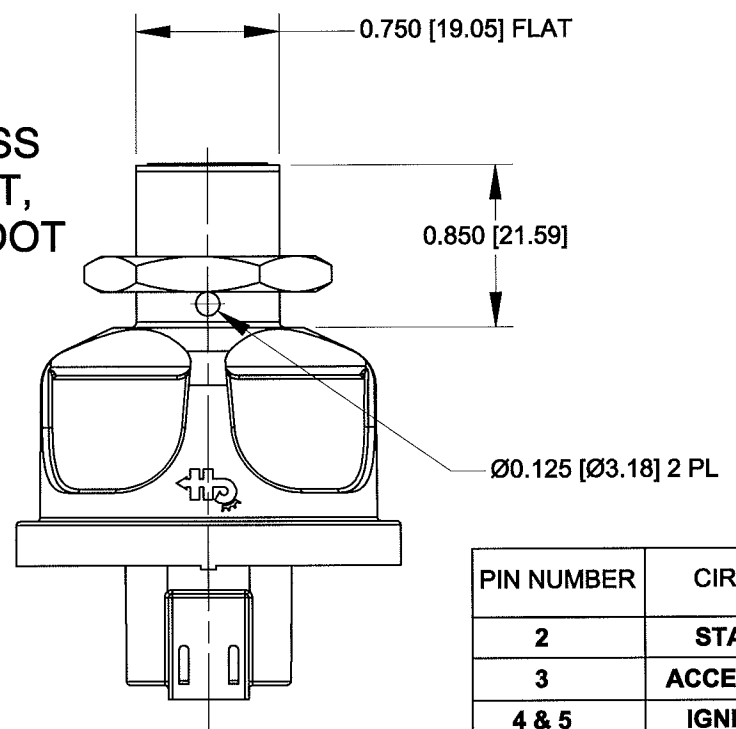


VIEW LESS KEY & BOOT



VIEW LESS KEY & BOOT

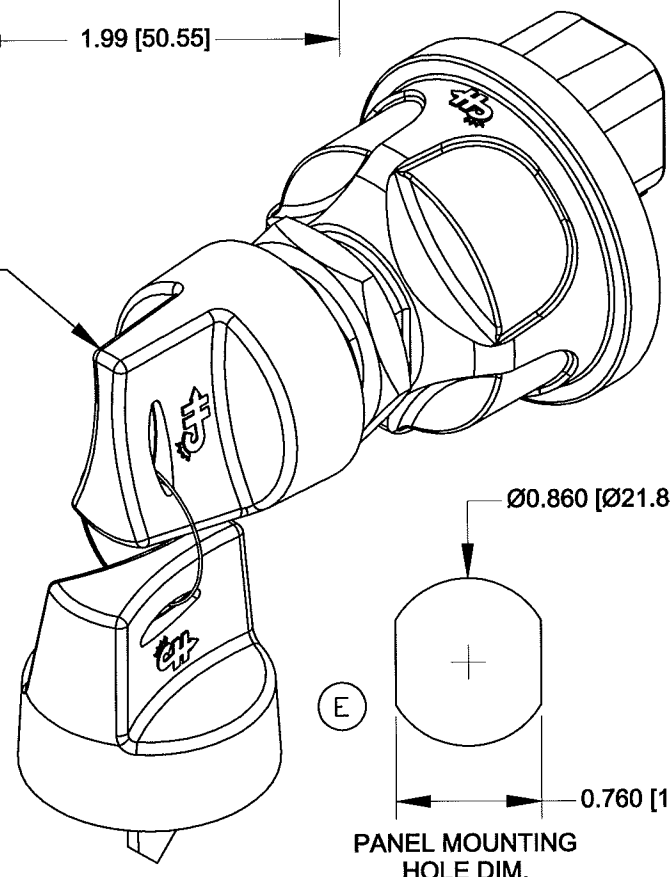
VIEW LESS FACE NUT, KEY & BOOT



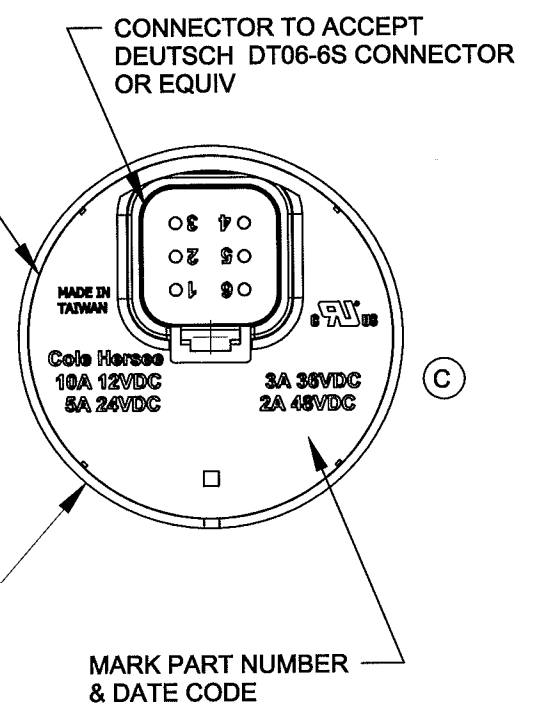
PIN NUMBER	CIRCUIT	12VDC RESISTIVE LOAD
2	START	5 AMPS
3	ACCESSORY	10 AMPS
4 & 5	IGNITION	10 AMPS
1 & 6	BATTERY	

PINS 1 & 6 CONNECTED TOGETHER INTERNALLY
PINS 4 & 5 CONNECTED TOGETHER INTERNALLY

2 DOUBLE BITTED BOOTED KEYS RINGED, BLACK, SINGLE KEY CODE CH601. NOTE 9, NOTE 11



HENCOL 13 SEAL AROUND PERIMETER



- NOTES:
- TOLERANCES PLUS OR MINUS 0.015 [0.38]
 - CONTACT AREA SEALED TO IP67
 - BACK OF SWITCH SEALED WHEN MATING CONNECTOR IS INSTALLED
 - FOR RESISTIVE LOAD RATING SEE CHART OR BACK OF SWITCH
 - KEY REMOVEABLE IN OFF POSITION ONLY
 - PIN LOCATIONS SEE CHART
 - MATERIALS: HOUSING BLACK THERMOPLASTIC
INTERNAL STATIONARY CONTACTS COPPER
 - START LOCKOUT FEATURE. SWITCH MUST GO TO "OFF" POSITION BEFORE THE START CIRCUIT CAN BE RE-ENERGIZED
 - KEY BOOT FITS OVER FACE NUT
 - SWITCH TESTED TO SAE J259, UL RECOGNIZED TO UL 1054
 - SWITCH SUPPLIED WITH SINGLE KEY CODE CH-601
 - SWITCH SAME AS 95060-04 EXCEPT SINGLE KEY CODE
 - SW. MUST NOT BREAK CIRCUIT OR BE DAMAGED IF TORQUED TO 15 IN-LBS [1.69Nm]
 - IF THE APPLICATION MOUNTS THE SWITCH WITH THE LOCK CYLINDER OR LEVER APPROACHING VERTICAL, CONTACT THE FACTORY FOR AN APPLICATION REVIEW AND POTENTIAL ALTERNATE PRODUCTS BEFORE DESIGN IS SET.

Revision Control Record					
Rev.	Description of Change	ECN No.	Date	Used On or Ref.:	Scale:
D	ADDED MADE IN TAIWAN	11215	7/15/11	EX28124	1:1
C	ADDED CHART & UL	10254	6/24/10		
B	ADD NOTE 14	07394	10/11/07		
A	RELEASED DRAWING	07132	4/23/07		

Tolerances Unless otherwise specifically noted, the following are default tolerances:
 • 2-place Decimal Dimensions +/- .02"
 • 3-place Decimal Dimensions +/- .005"
 • Angular Dimensions +/- 1.0 Deg.
 • Metric: Refer to equivalent English Dimension Tolerance
 >>> NOTE: All tolerances are Non-Cumulative. <<<

Dimensional Units All dimensions are expressed in inches except those shown in brackets (xxx) are expressed in millimeters

REF. or an Asterisk (*) = Non-Toleranced Reference Dimension, shown for clarification purposes only.

PROPRIETARY INFORMATION This Engineering Drawing, and the information contained herein, is proprietary to Cole Hersee Company and may not be disclosed, re-produced, or in any other way transferred or communicated to any other party without the express written consent of an authorized representative of Cole Hersee Company.

DESIGN CONTROL It is the responsibility of the individual using / referencing this drawing to assure that the noted design revision level agrees with the revision level of the Controlled Document (Master Drawing). This is a NON-CONTROLLED DOCUMENT unless otherwise specifically noted.

DO NOT SCALE - Dimensional variation may occur during printing / reproduction.

Drawn By: DPS Date Drawn: 4/23/07

Special Characteristics:

- CC Critical Characteristic, relating to Safety and/or Regulatory Compliance
- X Significant Characteristic relating to Process Control (SPC)
- KC Control Dimension relating to Form - Fit - Function as defined by Cole Hersee Company and/or the Customer

(Note that the identification of any Characteristics as being "Special" does not alter the requirement that ALL specified dimensions & tolerances must be met.)

Responsible Engineer: JT

PAGE 1
Created using Autocad Inventor

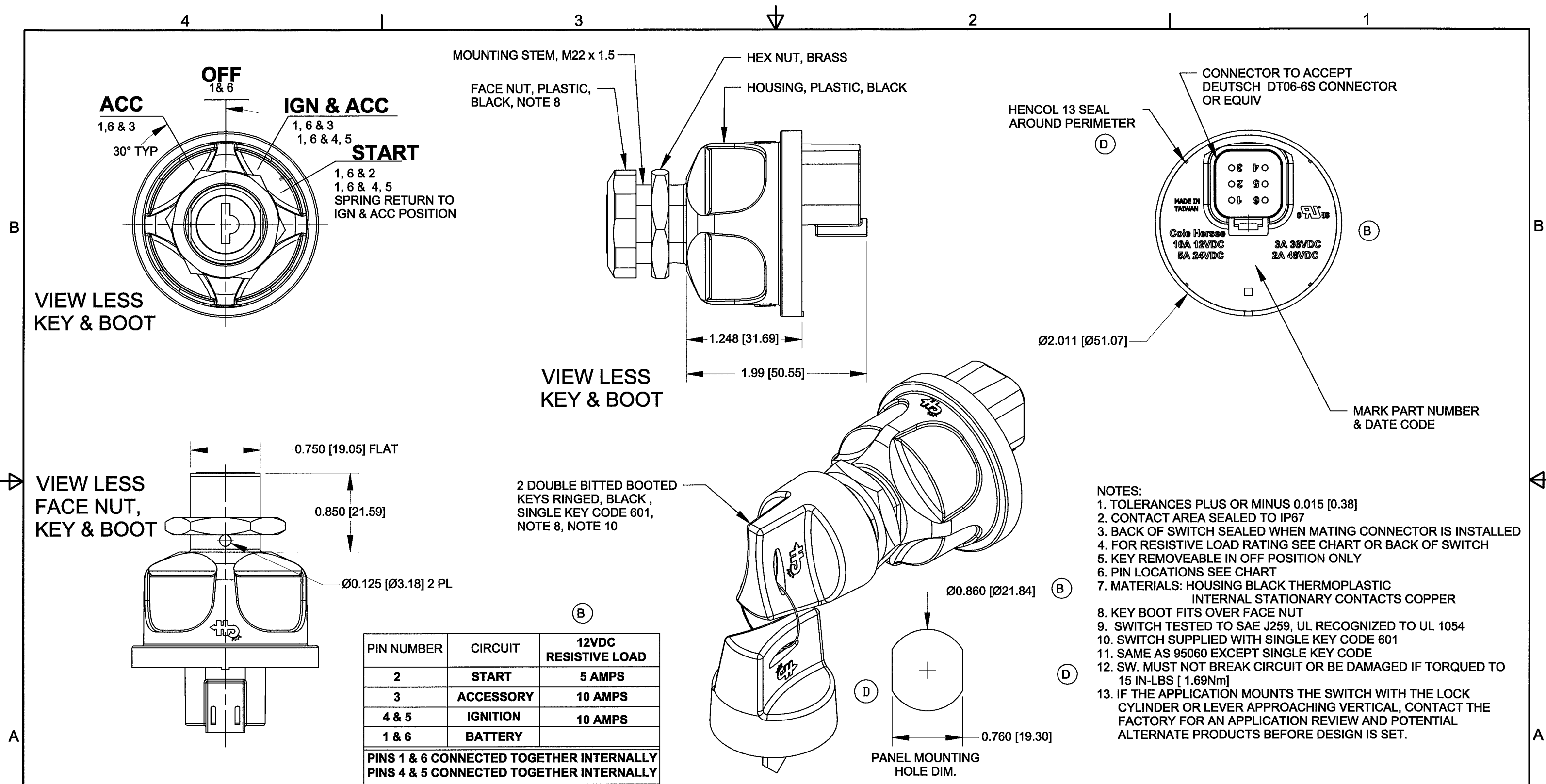
Cole Hersee Co.
 20 Old Colony Ave., South Boston, MA, 02127
 Phn: 617-268-2100 Web: www.colehersee.com

Description:
SW, ROT, 3POS, PLSTC

Drawing / Part No.: **95060-21**

Current Rev. **E**

4 | 3 | 2 | 1



- NOTES:
- TOLERANCES PLUS OR MINUS 0.015 [0.38]
 - CONTACT AREA SEALED TO IP67
 - BACK OF SWITCH SEALED WHEN MATING CONNECTOR IS INSTALLED
 - FOR RESISTIVE LOAD RATING SEE CHART OR BACK OF SWITCH
 - KEY REMOVEABLE IN OFF POSITION ONLY
 - PIN LOCATIONS SEE CHART
 - MATERIALS: HOUSING BLACK THERMOPLASTIC
INTERNAL STATIONARY CONTACTS COPPER
 - KEY BOOT FITS OVER FACE NUT
 - SWITCH TESTED TO SAE J259, UL RECOGNIZED TO UL 1054
 - SWITCH SUPPLIED WITH SINGLE KEY CODE 601
 - SAME AS 95060 EXCEPT SINGLE KEY CODE
 - SW. MUST NOT BREAK CIRCUIT OR BE DAMAGED IF TORQUED TO 15 IN-LBS [1.69Nm]
 - IF THE APPLICATION MOUNTS THE SWITCH WITH THE LOCK CYLINDER OR LEVER APPROACHING VERTICAL, CONTACT THE FACTORY FOR AN APPLICATION REVIEW AND POTENTIAL ALTERNATE PRODUCTS BEFORE DESIGN IS SET.

Revision Control Record			
Rev.	Description of Change	ECN No.	Date

Revision Control Record			
Rev.	Description of Change	ECN No.	Date
D	ADDED HENCOL 13; ADDED TORQUE NOTE	13171	6/17/13
C	ADDED MADE IN TAIWAN	11215	7/15/11
B	ADDED CHART & UL	10254	6/24/10
A	RELEASED DRAWING	07396	9/19/07

Tolerances Unless otherwise specifically noted, the following are default tolerances:
 • 2-place Decimal Dimensions +/- .02"
 • 3-place Decimal Dimensions +/- .005"
 • Angular Dimensions +/- 1.0 Deg.
 • Metric: Refer to equivalent English Dimension Tolerance
 >>> NOTE: All tolerances are Non-Cumulative. <<<

Dimensional Units All dimensions are expressed in inches except those shown in brackets (xxx) are expressed in millimeters

"REF." or an Asterisk (*) = Non-Toleranced Reference Dimension, shown for clarification purposes only.

Used On **95060**
or Ref.:

PROPRIETARY INFORMATION This Engineering Drawing, and the information contained herein, is proprietary to Cole Hersee Company and may not be disclosed, reproduced, or in any other way transferred or communicated to any other party without the express written consent of an authorized representative of Cole Hersee Company.

DESIGN CONTROL It is the responsibility of the individual using / referencing this drawing to assure that the noted design revision level agrees with the revision level of the Controlled Document (Master Drawing). This is a NON-CONTROLLED DOCUMENT unless otherwise specifically noted.

DO NOT SCALE - Dimensional variation may occur during printing / reproduction.

Scale: **1:1**

Drawn By: **DPS** Date Drawn: **9/19/07**

Special Characteristics:

- Critical Characteristic, relating to Safety and/or Regulatory Compliance
- Significant Characteristic relating to Process Control (SPC)
- Control Dimension relating to Form - Fit - Function as defined by Cole Hersee Company and/or the Customer

(Note that the identification of any Characteristics as being "Special" does not alter the requirement that ALL specified dimensions & tolerances must be met.)

Responsible Engineer: **JT**

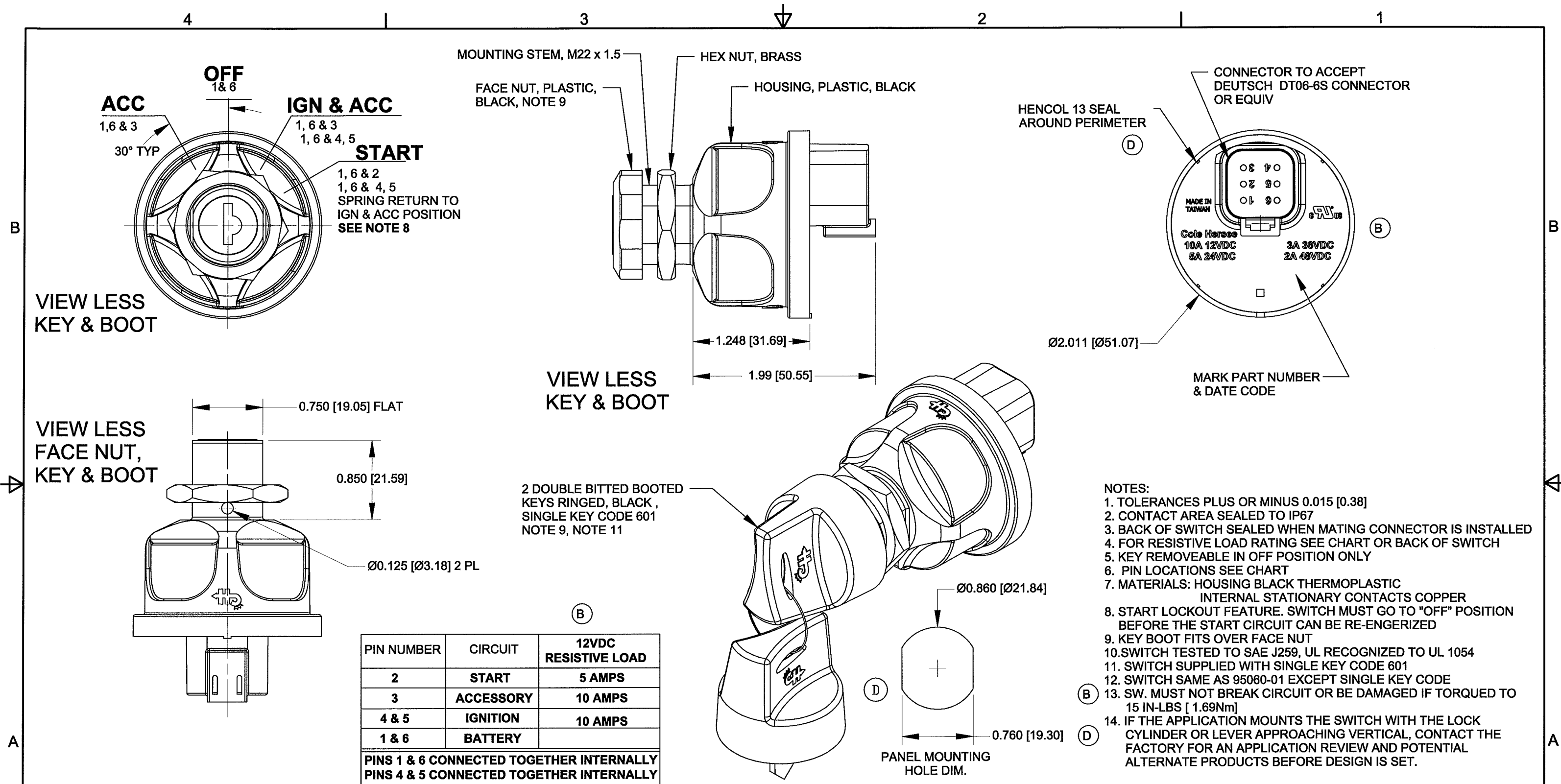
PAGE 1
Created using Autocad Inventor

Cole Hersee Co.
 20 Old Colony Ave., South Boston, MA, 02127
 Phn: 617-268-2100 Web: www.colehersee.com

Description:
SW, ROT, 4POS, PLSTC

Drawing / Part No.:
95060-23

Current Rev.:
D



- NOTES:**
- TOLERANCES PLUS OR MINUS 0.015 [0.38]
 - CONTACT AREA SEALED TO IP67
 - BACK OF SWITCH SEALED WHEN MATING CONNECTOR IS INSTALLED
 - FOR RESISTIVE LOAD RATING SEE CHART OR BACK OF SWITCH
 - KEY REMOVEABLE IN OFF POSITION ONLY
 - PIN LOCATIONS SEE CHART
 - MATERIALS: HOUSING BLACK THERMOPLASTIC
INTERNAL STATIONARY CONTACTS COPPER
 - START LOCKOUT FEATURE. SWITCH MUST GO TO "OFF" POSITION BEFORE THE START CIRCUIT CAN BE RE-ENERGIZED
 - KEY BOOT FITS OVER FACE NUT
 - SWITCH TESTED TO SAE J259, UL RECOGNIZED TO UL 1054
 - SWITCH SUPPLIED WITH SINGLE KEY CODE 601
 - SWITCH SAME AS 95060-01 EXCEPT SINGLE KEY CODE
 - SW. MUST NOT BREAK CIRCUIT OR BE DAMAGED IF TORQUED TO 15 IN-LBS [1.69Nm]
 - IF THE APPLICATION MOUNTS THE SWITCH WITH THE LOCK CYLINDER OR LEVER APPROACHING VERTICAL, CONTACT THE FACTORY FOR AN APPLICATION REVIEW AND POTENTIAL ALTERNATE PRODUCTS BEFORE DESIGN IS SET.

Revision Control Record				Tolerances Unless otherwise specifically noted, the following are default tolerances: • 2-place Decimal Dimensions +/- .02" • 3-place Decimal Dimensions +/- .005" • Angular Dimensions +/- 1.0 Deg. • Metric: Refer to equivalent English Dimension Tolerance >>> NOTE: All tolerances are Non-Cumulative. <<<	PROPRIETARY INFORMATION This Engineering Drawing, and the information contained herein, is proprietary to Cole Hersee Company and may not be disclosed, re-produced, or in any other way transferred or communicated to any other party without the express written consent of an authorized representative of Cole Hersee Company.	Special Characteristics: CC Critical Characteristic, relating to Safety and/or Regulatory Compliance X Significant Characteristic relating to Process Control (SPC) KC Control Dimension relating to Form - Fit - Function as defined by Cole Hersee Company and/or the Customer (Note that the identification of any Characteristics as being "Special" does not alter the requirement that ALL specified dimensions & tolerances must be met.)	Cole Hersee Co.	
Rev.	Description of Change	ECN No.	Date				20 Old Colony Ave., South Boston, MA, 02127 Phn: 617-268-2100 Web: www.colehersee.com	
D	ADDED HENCOL 13; ADDED TORQUE NOTE	13171	6/17/13	Description: SW, ROT, 4POS, PLSTC				
C	ADDED MADE IN TAIWAN	11215	7/15/11	Drawing / Part No.: 95060-24				
B	ADDED CHART & UL	10254	6/24/10	Current Rev. D				
A	RELEASED DRAWING	07397	9/19/07	Used On 95060-01 or Ref.:	Scale: 1:1			
		Drawn By: DPS	Date Drawn: 9/19/07	Responsible Engineer: JT	PAGE 1 Created using Autocad Inventor			

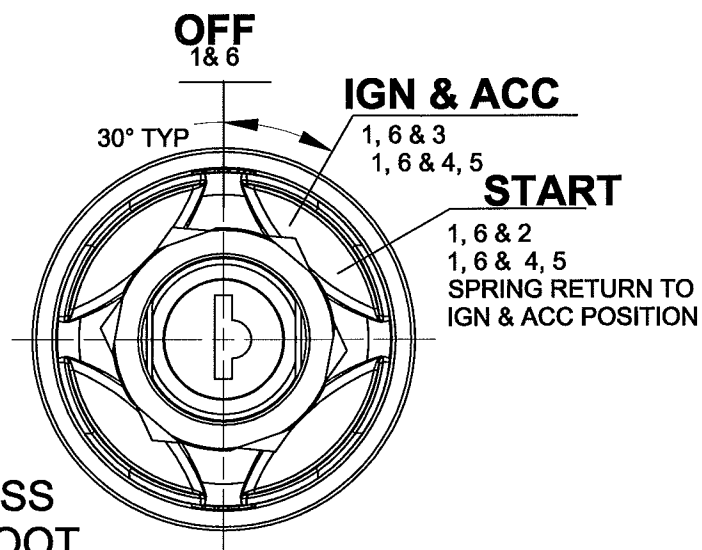
4 3 2 1

B

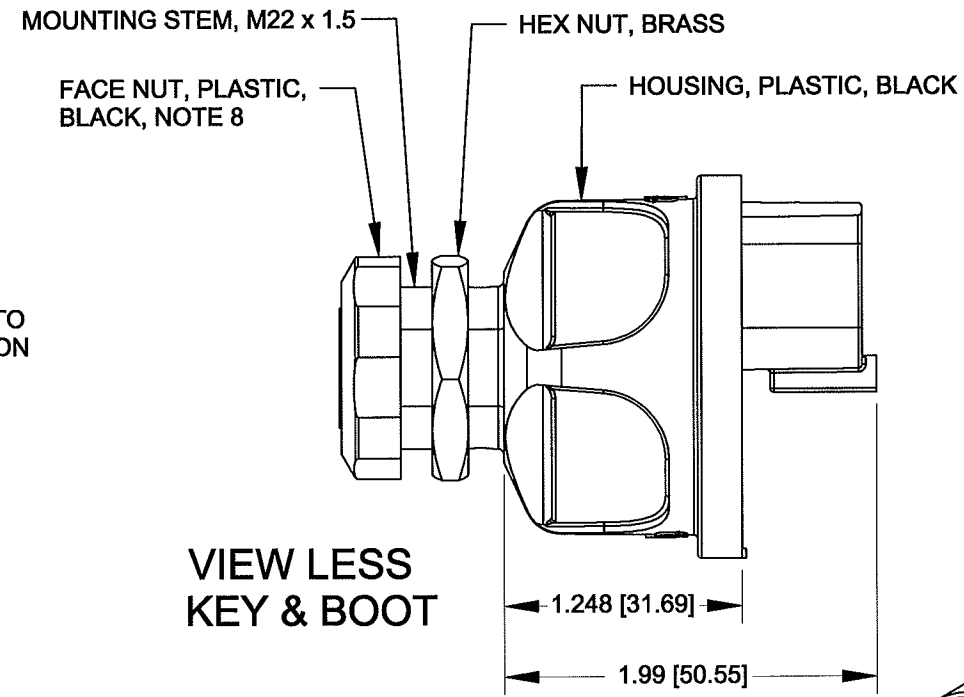
B

A

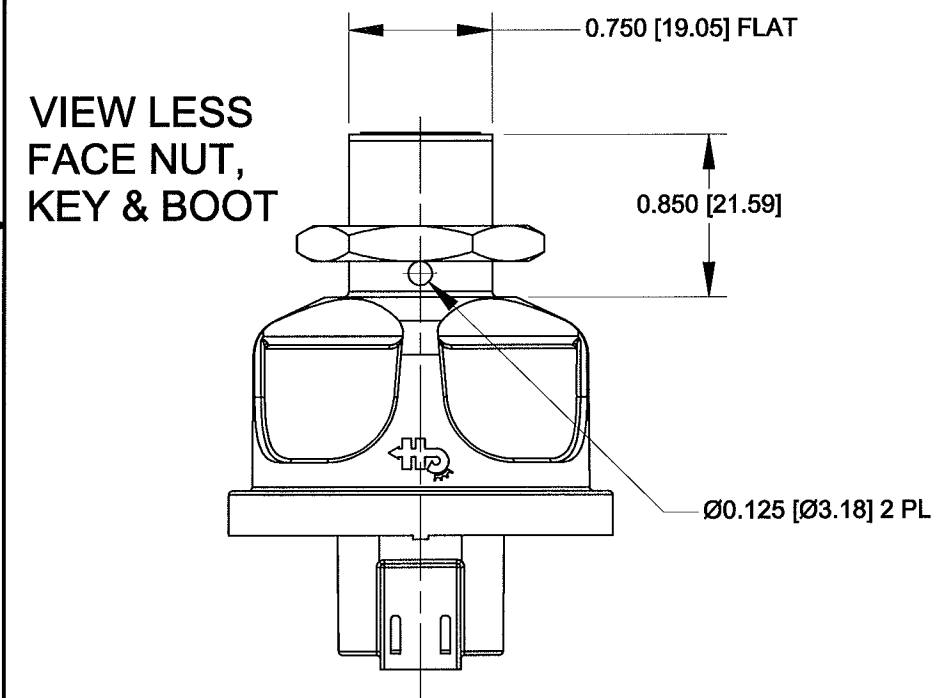
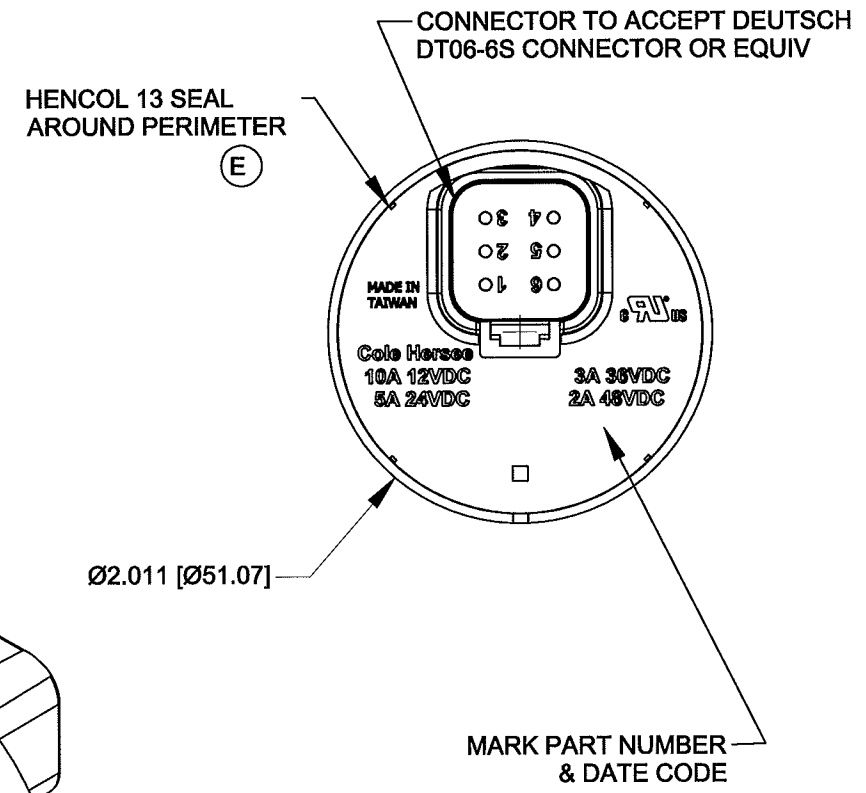
A



VIEW LESS KEY & BOOT

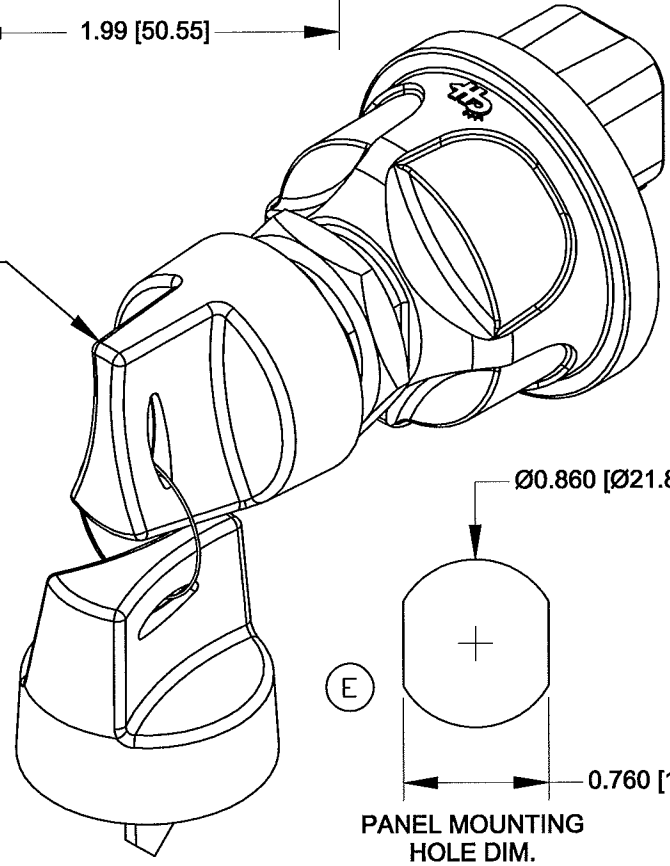


VIEW LESS KEY & BOOT



VIEW LESS FACE NUT, KEY & BOOT

2 DOUBLE BITTED BOOTED KEYS RINGED, BLACK, SINGLE KEY CODE 601 NOTE 8, NOTE 10



- NOTES:
- TOLERANCES PLUS OR MINUS 0.015 [0.38]
 - CONTACT AREA SEALED TO IP67
 - BACK OF SWITCH SEALED WHEN MATING CONNECTOR IS INSTALLED
 - FOR RESISTIVE LOAD RATING SEE CHART OR BACK OF SWITCH
 - KEY REMOVEABLE IN OFF POSITION ONLY
 - PIN LOCATIONS SEE CHART
 - MATERIALS: HOUSING BLACK THERMOPLASTIC; INTERNAL STATIONARY: CONTACTS COPPER
 - KEY BOOT FITS OVER FACE NUT, BOOT WITH NO CH LOGO.
 - SWITCH TESTED TO SAE J259, UL RECOGNIZED TO UL 1054
 - SWITCH SUPPLIED WITH SINGLE KEY CODE 601
 - SW. MUST NOT BREAK CIRCUIT OR BE DAMAGED IF TORQUED TO 15 IN-LBS [1.69Nm]
 - IF THE APPLICATION MOUNTS THE SWITCH WITH THE LOCK CYLINDER OR LEVER APPROACHING VERTICAL, CONTACT THE FACTORY FOR AN APPLICATION REVIEW AND POTENTIAL ALTERNATE PRODUCTS BEFORE DESIGN IS SET.

PIN NUMBER	CIRCUIT	12VDC RESISTIVE LOAD
2	START	5 AMPS
3	ACCESSORY	10 AMPS
4 & 5	IGNITION	10 AMPS
1 & 6	BATTERY	

PINS 1 & 6 CONNECTED TOGETHER INTERNALLY
PINS 4 & 5 CONNECTED TOGETHER INTERNALLY

Revision Control Record			
Rev.	Description of Change	ECN No.	Date
D	NEW PART	13015	01/22/13
E	ADDED HENCOL 13; ADDED TORQUE NOTE	13168	6/17/13

Tolerances Unless otherwise specifically noted, the following are default tolerances:
 • 2-place Decimal Dimensions +/- .02"
 • 3-place Decimal Dimensions +/- .005"
 • Angular Dimensions +/- 1.0 Deg.
 • Metric: Refer to equivalent English Dimension Tolerance
 >>> NOTE: All tolerances are Non-Cumulative. <<<

Dimensional Units All dimensions are expressed in inches except those shown in brackets (xxx) are expressed in millimeters

REF. or an Asterisk (*) = Non-Toleranced Reference Dimension, shown for clarification purposes only.

PROPRIETARY INFORMATION This Engineering Drawing, and the information contained herein, is proprietary to Cole Hersee Company and may not be disclosed, re-produced, or in any other way transferred or communicated to any other party without the express written consent of an authorized representative of Cole Hersee Company.

DESIGN CONTROL It is the responsibility of the Individual using / referencing this drawing to assure that the noted design revision level agrees with the revision level of the Controlled Document (Master Drawing). This is a NON-CONTROLLED DOCUMENT unless otherwise specifically noted.

DO NOT SCALE - Dimensional variation may occur during printing / reproduction.

Used On or Ref.: **95060-26** Scale: **1:1**

Special Characteristics:

- CC Critical Characteristic, relating to Safety and/or Regulatory Compliance
- X Significant Characteristic relating to Process Control (SPC)
- KC Control Dimension relating to Form - Fit - Function as defined by Cole Hersee Company and/or the Customer

(Note that the identification of any Characteristics as being "Special" does not alter the requirement that ALL specified dimensions & tolerances must be met.)

Responsible Engineer: **GAuguste**

Drawn By: **A.VISCO** Date Drawn: **12/05/12**

Created using Autocad Inventor

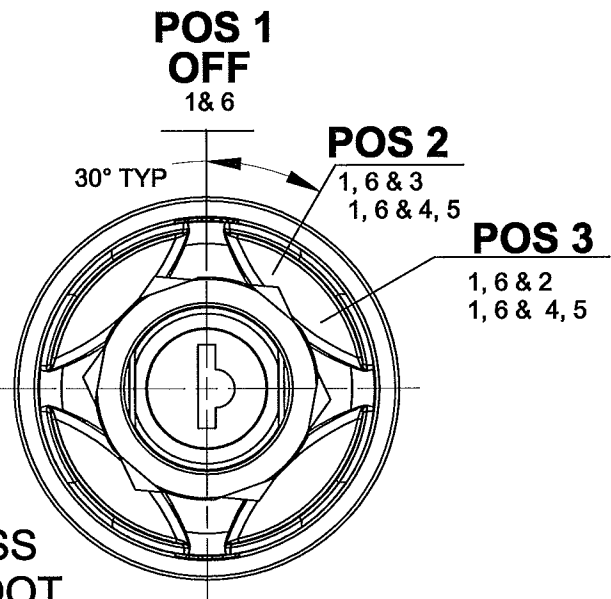
Cole Hersee Co.
 20 Old Colony Ave., South Boston, MA, 02127
 Pn: 617-268-2100 Web: www.colehersee.com

Description:
SW, ROT, 3POS, PLSTC

Drawing / Part No.: **95060-26**

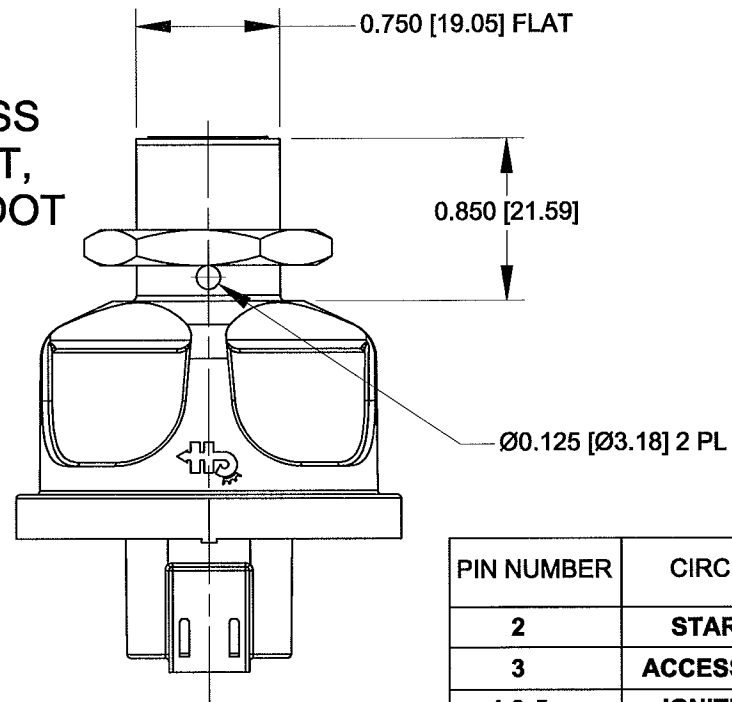
Current Rev.: **E**

4 3 2 1



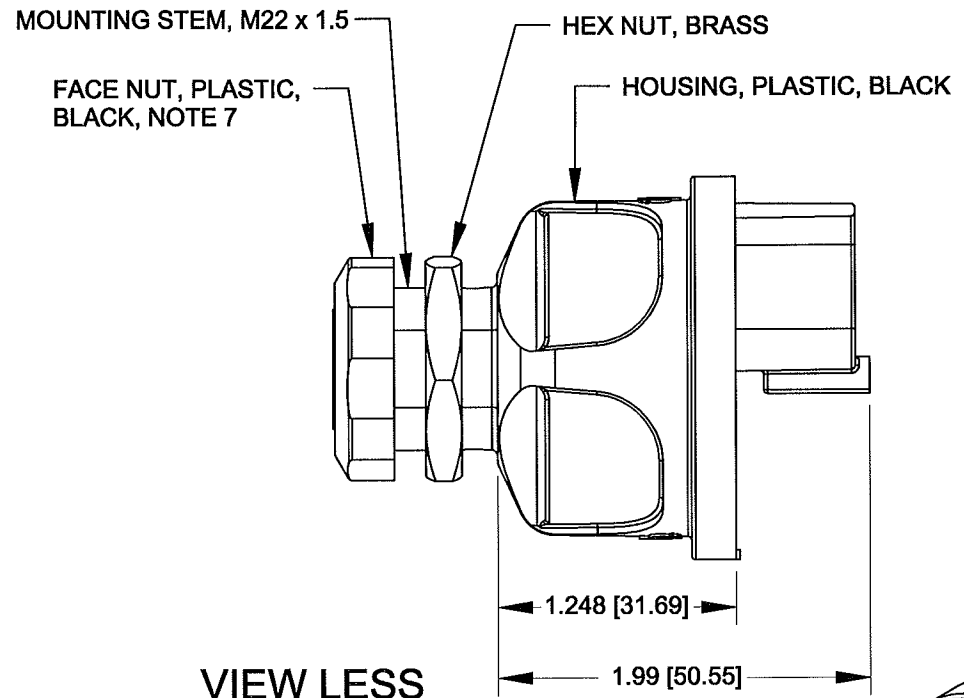
VIEW LESS KEY & BOOT

VIEW LESS FACE NUT, KEY & BOOT



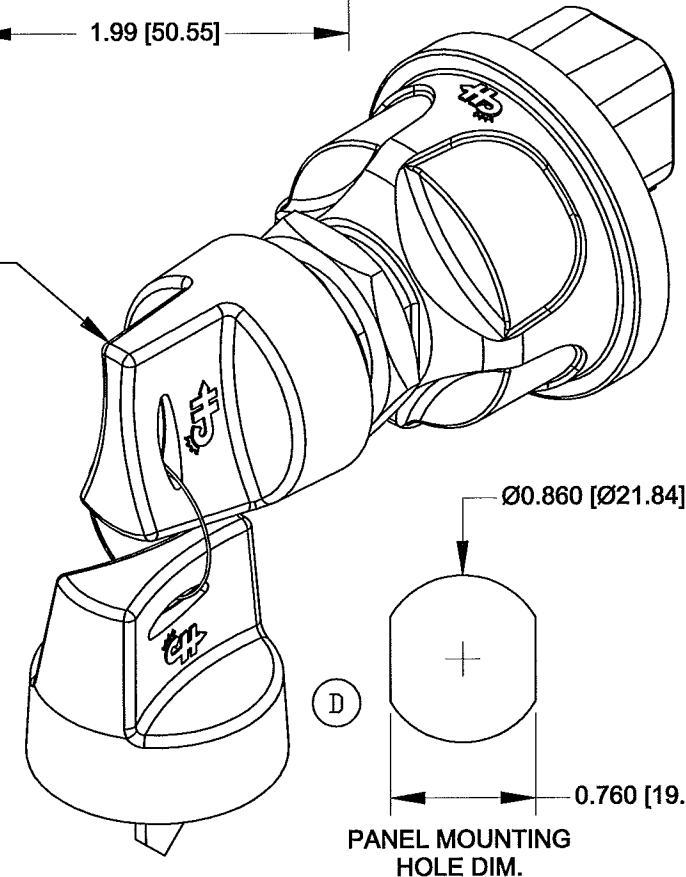
PIN NUMBER	CIRCUIT	12VDC RESISTIVE LOAD
2	START	5 AMPS
3	ACCESSORY	10 AMPS
4 & 5	IGNITION	10 AMPS
1 & 6	BATTERY	

PINS 1 & 6 CONNECTED TOGETHER INTERNALLY
PINS 4 & 5 CONNECTED TOGETHER INTERNALLY

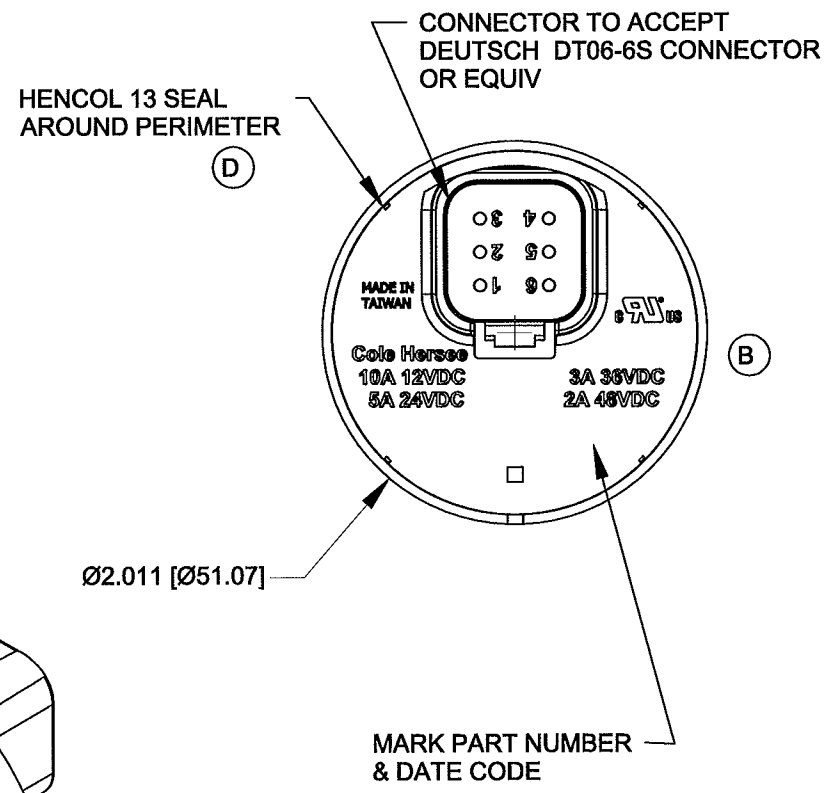


VIEW LESS KEY & BOOT

2 DOUBLE BITTED BOOTED KEYS RINGED, BLACK, SINGLE KEY CODE 601, NOTE 7, NOTE 9



PANEL MOUNTING HOLE DIM.



- NOTES:
- TOLERANCES PLUS OR MINUS 0.015 [0.38]
 - CONTACT AREA SEALED TO IP67
 - BACK OF SWITCH SEALED WHEN MATING CONNECTOR IS INSTALLED
 - FOR RESISTIVE LOAD RATING SEE CHART OR BACK OF SWITCH
 - KEY REMOVEABLE IN OFF POSITION ONLY
 - MATERIALS: HOUSING BLACK THERMOPLASTIC
INTERNAL STATIONARY CONTACTS COPPER
 - KEY BOOT FITS OVER FACE NUT
 - SWITCH TESTED TO SAE J259, UL RECOGNIZED TO UL 1054
 - SWITCH SUPPLIED WITH SINGLE KEY CODE 601
 - SWITCH SAME AS 95060-05 EXCEPT SINGLE KEY CODE
 - IF THE APPLICATION MOUNTS THE SWITCH WITH THE LOCK CYLINDER OR LEVER APPROACHING VERTICAL, CONTACT THE FACTORY FOR AN APPLICATION REVIEW AND POTENTIAL ALTERNATE PRODUCTS BEFORE DESIGN IS SET.
 - SW. MUST NOT BREAK CIRCUIT OR BE DAMAGED IF TORQUED TO 15 IN-LBS [1.69Nm]

Revision Control Record				Tolerances Unless otherwise specifically noted, the following are default tolerances: * 2-place Decimal Dimensions +/- .02" * 3-place Decimal Dimensions +/- .005" * Angular Dimensions +/- 1.0 Deg. * Metric: Refer to equivalent English Dimension Tolerance >>> NOTE: All tolerances are Non-Cumulative. <<<	PROPRIETARY INFORMATION This Engineering Drawing, and the information contained herein, is proprietary to Cole Hersee Company and may not be disclosed, re-produced, or in any other way transferred or communicated to any other party without the express written consent of an authorized representative of Cole Hersee Company.	Special Characteristics:		Cole Hersee Co.	
Rev.	Description of Change	ECN No.	Date			Dimensional Units All dimensions are expressed in inches except those shown in brackets (xxx) are expressed in millimeters	DESIGN CONTROL It is the responsibility of the individual using / referencing this drawing to assure that the noted design revision level agrees with the revision level of the Controlled Document (Master Drawing). This is a NON-CONTROLLED DOCUMENT unless otherwise specifically noted.	CC Critical Characteristic, relating to Safety and/or Regulatory Compliance	X Significant Characteristic relating to Process Control (SPC)
D	ADDED HENCOL 13	13168	6/17/13	*REF. or an Asterisk (*) = Non-Toleranced Reference Dimension, shown for clarification purposes only.	DO NOT SCALE - Dimensional variation may occur during printing / reproduction.	CC Control Dimension relating to Form - Fit - Function as defined by Cole Hersee Company and/or the Customer		Description: SW, ROT, 3POS, PLSTC	
C	ADDED MADE IN TAIWAN	11215	7/15/11	Used On 95060-05 or Ref.:	Scale: 1:1			Drawing / Part No.: 95060-27	
B	ADDED CHART & UL	10254	6/24/10	Drawn By: DPS	Date Drawn: 9/19/07			Current Rev. D	
A	RELEASED DRAWING	07400	9/19/07					PAGE 1 Created using Autocad Inventor	

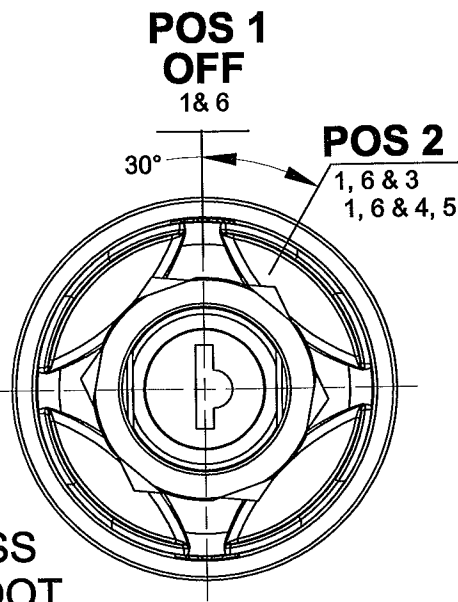
Cole Hersee Co.
20 Old Colony Ave., South Boston, MA, 02127
Phn: 617-288-2100 Web: www.colehersee.com

Description:
SW, ROT, 3POS, PLSTC

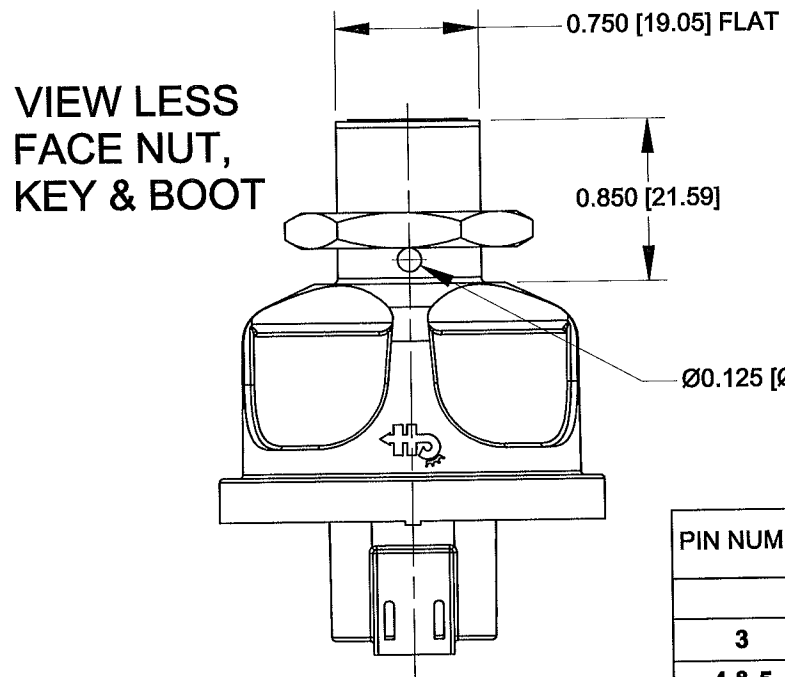
Drawing / Part No.:
95060-27

Current Rev.
D

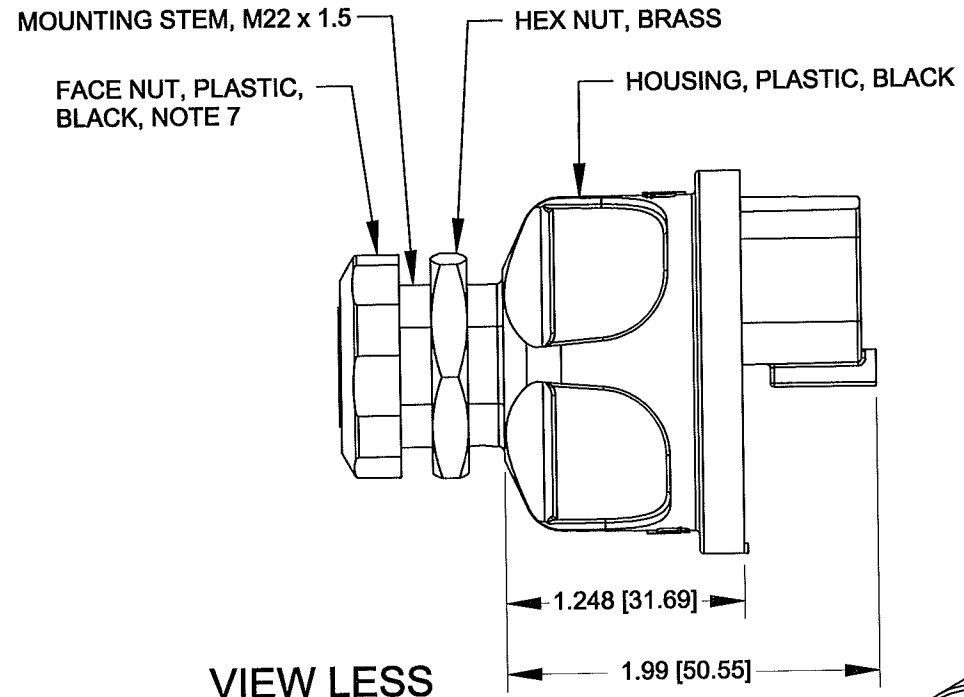
Responsible Engineer: JT
PAGE 1
Created using Autocad Inventor



VIEW LESS KEY & BOOT

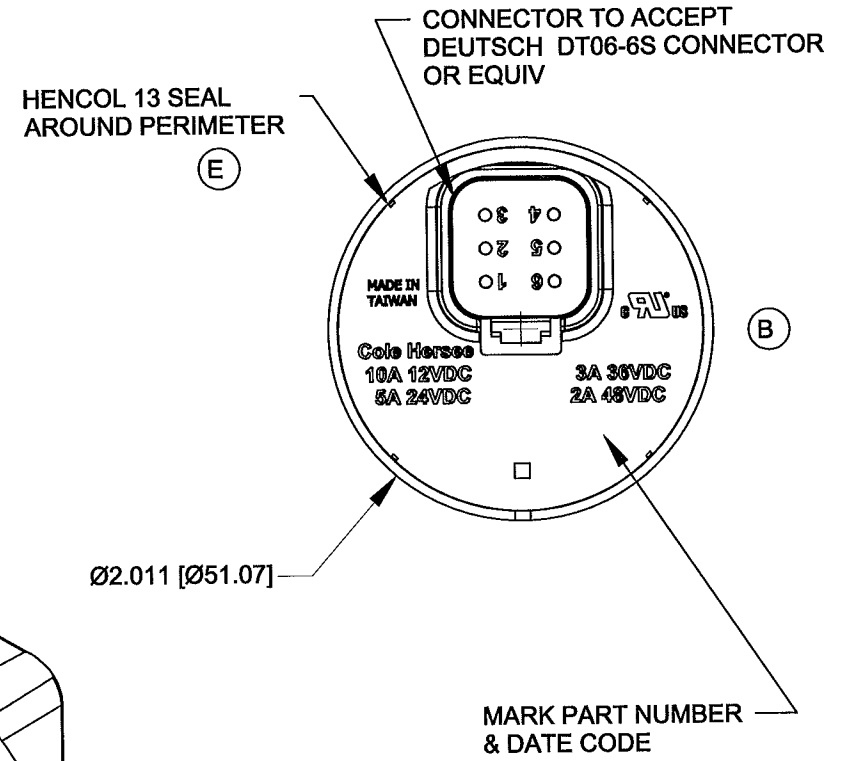


VIEW LESS FACE NUT, KEY & BOOT



VIEW LESS KEY & BOOT

2 DOUBLE BITTED BOOTED KEYS RINGED, BLACK, SINGLE KEY CODE 601, NOTE 7, NOTE 9I



MARK PART NUMBER & DATE CODE

PIN NUMBER	CIRCUIT	12VDC RESISTIVE LOAD
		(E)
3	ACCESSORY	10 AMPS
4 & 5	IGNITION	10 AMPS
1 & 6	BATTERY	

PINS 1 & 6 CONNECTED TOGETHER INTERNALLY
PINS 4 & 5 CONNECTED TOGETHER INTERNALLY

- NOTES:
1. TOLERANCES PLUS OR MINUS 0.015 [0.38]
 2. CONTACT AREA SEALED TO IP67
 3. BACK OF SWITCH SEALED WHEN MATING CONNECTOR IS INSTALLED
 4. FOR RESISTIVE LOAD RATING SEE CHART OR BACK OF SWITCH
 5. KEY REMOVEABLE IN OFF POSITION ONLY
 6. MATERIALS: HOUSING BLACK THERMOPLASTIC
INTERNAL STATIONARY CONTACTS COPPER
 7. KEY BOOT FITS OVER FACE NUT
 8. SWITCH TESTED TO SAE J259, UL RECOGNIZED TO UL 1054
 9. SWITCH SUPPLIED WITH SINGLE KEY CODE 601
 10. SWITCH SAME AS 95060-07 EXCEPT SINGLE KEY CODE
 11. IF THE APPLICATION MOUNTS THE SWITCH WITH THE LOCK CYLINDER OR LEVER APPROACHING VERTICAL, CONTACT THE FACTORY FOR AN APPLICATION REVIEW AND POTENTIAL ALTERNATE PRODUCTS BEFORE DESIGN IS SET.
 12. SW. MUST NOT BREAK CIRCUIT OR BE DAMAGED IF TORQUED TO 15 IN-LBS [1.69Nm]

Rev.	Description of Change	ECN No.	Date
E	ADDED HENCOL 13	13168	6/17/17

Rev.	Description of Change	ECN No.	Date
D	REACTIVATE	13081	3/20/13
C	ADDED MADE IN TAIWAN	11215	7/15/11
B	ADDED CHART & UL	10254	6/24/10
A	RELEASED DRAWING	07402	9/19/07

Tolerances Unless otherwise specifically noted, the following are default tolerances:
 * 2-place Decimal Dimensions +/- .02"
 * 3-place Decimal Dimensions +/- .005"
 * Angular Dimensions +/- 1.0 Deg.
 * Metric: Refer to equivalent English Dimension Tolerance
 >>> NOTE: All tolerances are Non-Cumulative. <<<

Dimensional Units All dimensions are expressed in inches except those shown in brackets (xxx) are expressed in millimeters

"REF." or an Asterisk (*) = Non-Toleranced Reference Dimension, shown for clarification purposes only.

Used On **95060-07** or Ref.:

PROPRIETARY INFORMATION This Engineering Drawing, and the information contained herein, is proprietary to Cole Hersee Company and may not be disclosed, re-produced, or in any other way transferred or communicated to any other party without the express written consent of an authorized representative of Cole Hersee Company.

DESIGN CONTROL It is the responsibility of the individual using / referencing this drawing to assure that the noted design revision level agrees with the revision level of the Controlled Document (Master Drawing). This is a NON-CONTROLLED DOCUMENT unless otherwise specifically noted.

DO NOT SCALE - Dimensional variation may occur during printing / reproduction.

Scale: 1:1

Drawn By: **DPS** Date Drawn: **9/19/07**

Special Characteristics:

- Critical Characteristic, relating to Safety and/or Regulatory Compliance
- Significant Characteristic relating to Process Control (SPC)
- Control Dimension relating to Form - Fit - Function as defined by Cole Hersee Company and/or the Customer

(Note that the identification of any Characteristics as being "Special" does not alter the requirement that ALL specified dimensions & tolerances must be met.)

Responsible Engineer: **JT**

Created using Autocad Inventor

Cole Hersee Co.
 20 Old Colony Ave., South Boston, MA, 02127
 Phn: 617-268-2100 Web: www.colehersee.com

Description:
SW, ROT, 2POS, PLSTC

Drawing / Part No.: **95060-29**

Current Rev.: **E**

4

3

2

1

B

B

A

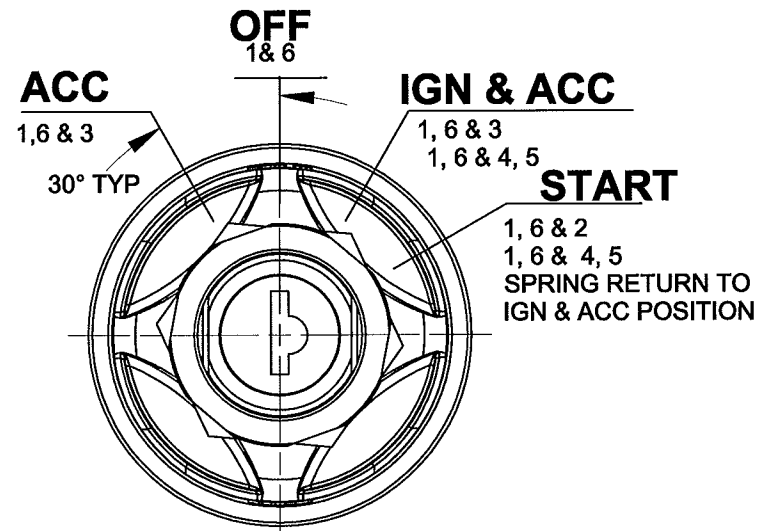
A

4

3

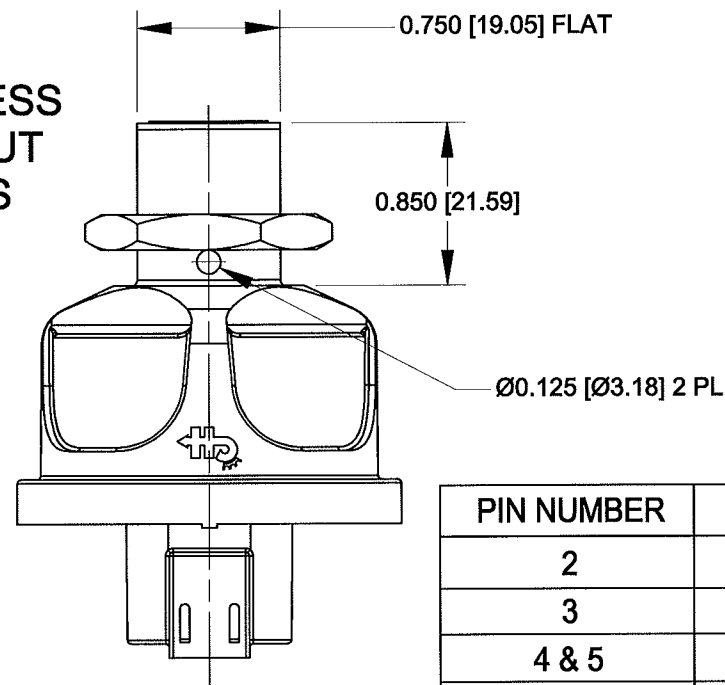
2

1



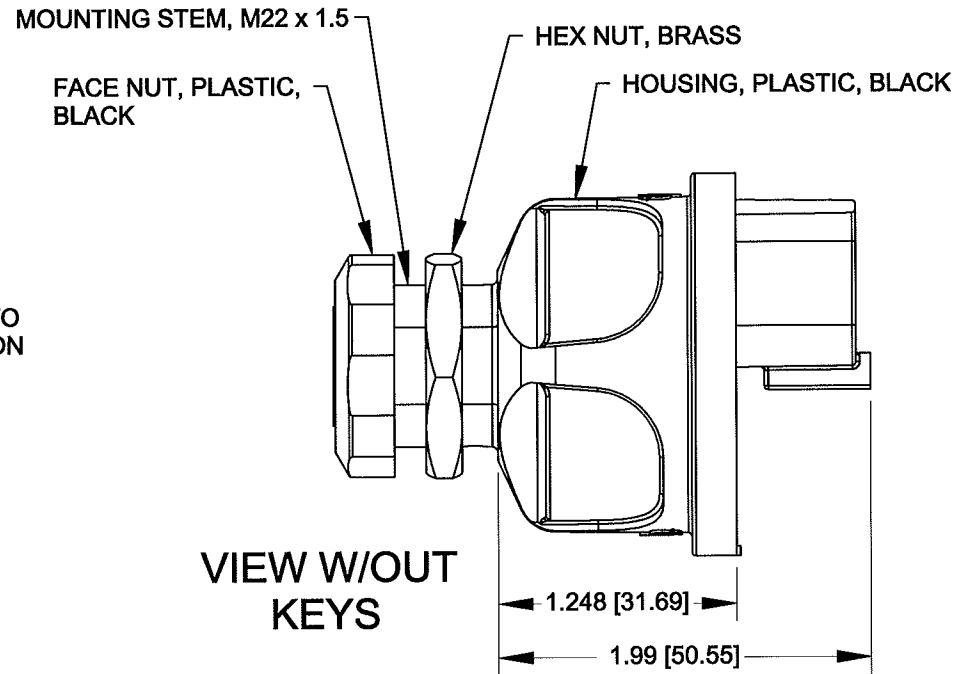
VIEW LESS KEYS

VIEW LESS FACE NUT & KEYS



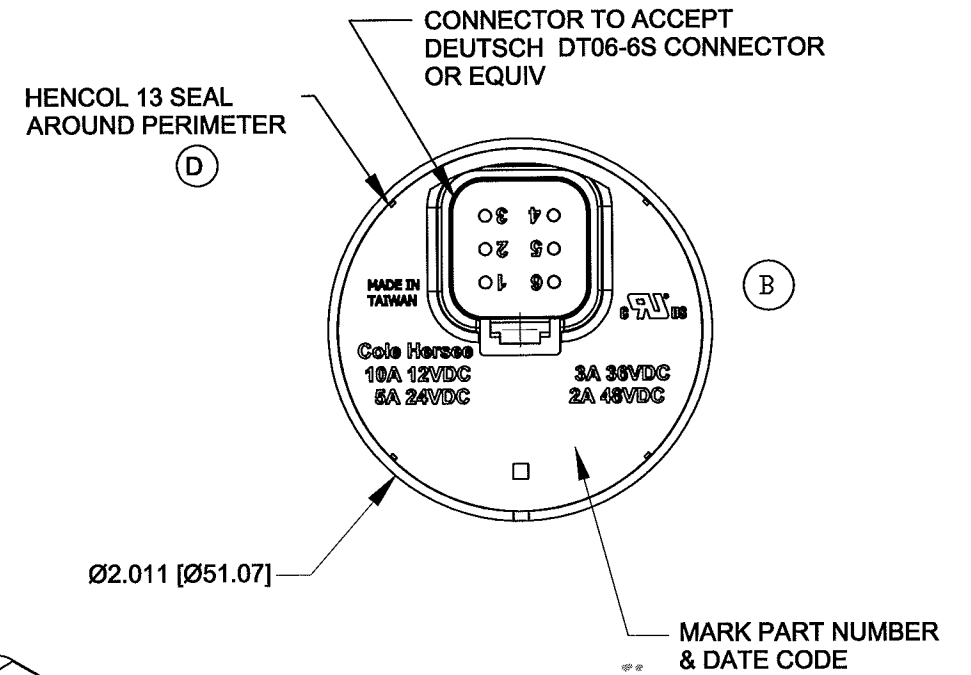
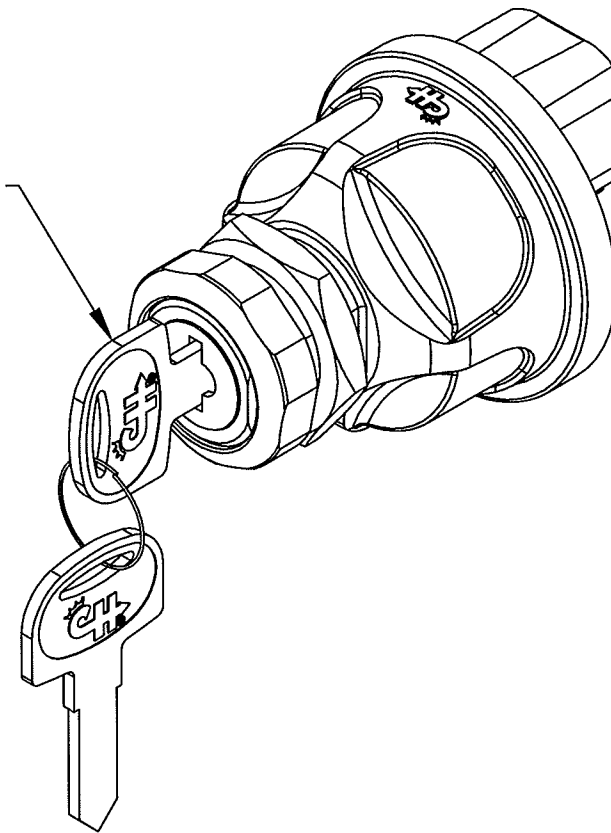
PIN NUMBER	CIRCUIT	12VDC RESISTIVE LOAD
2	START	5 AMP
3	ACCESSORY	10 AMP
4 & 5	IGNITION	10 AMP
1 & 6	BATTERY	

TERMINALS 1 & 6 CONNECTED TOGETHER INTERNALLY
TERMINALS 4 & 5 CONNECTED TOGETHER INTERNALLY



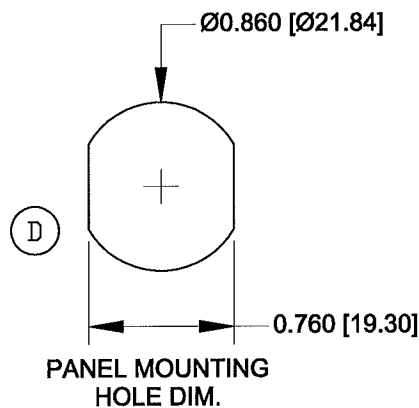
VIEW W/OUT KEYS

2 DOUBLE BITTED KEYS RINGED
10 KEY CODES
(601-605, 701-705)



NOTES:

- TOLERANCES PLUS OR MINUS 0.015 [0.38]
- CONTACT AREA SEALED TO IP67
- BACK OF SWITCH SEALED WHEN MATING CONNECTOR IS INSTALLED
- KEY REMOVEABLE IN OFF POSITION ONLY
- MATERIALS:
 - HOUSING BLACK THERMOPLASTIC
 - INTERNAL STATIONARY CONTACTS COPPER
- 10 KEY CODES 601-605, 701-705
- SWITCH TESTED TO SAE J259, UL RECOGNIZED TO UL 1054
- FOR RESISTIVE LOAD RATING SEE CHART OR BACK OF SWITCH
- SW. MUST NOT BREAK CIRCUIT OR BE DAMAGED IF TORQUED TO 15 IN-LBS [1.69Nm]
- IF THE APPLICATION MOUNTS THE SWITCH WITH THE LOCK CYLINDER OR LEVER APPROACHING VERTICAL, CONTACT THE FACTORY FOR AN APPLICATION REVIEW AND POTENTIAL ALTERNATE PRODUCTS BEFORE DESIGN IS SET.



PANEL MOUNTING HOLE DIM.

Rev.	Description of Change	ECN No.	Date
A	RELEASE DRAWING	08341	06/16/08
B	ADDED UL	10254	6/24/10
C	ADDED MADE IN TAIWAN	11215	7/15/11
D	ADDED HENCOL 13; ADDED TORQUE NOTE	13166	6/17/13

Tolerances Unless otherwise specifically noted, the following are default tolerances:
 * 2-place Decimal Dimensions +/- .02"
 * 3-place Decimal Dimensions +/- .005"
 * Angular Dimensions +/- 1.0 Deg.
 * Metric: Refer to equivalent English Dimension Tolerance
 >>> NOTE: All tolerances are Non-Cumulative. <<<

Dimensional Units All dimensions are expressed in inches except those shown in brackets (xxx) are expressed in millimeters

"REF." or an Asterisk (*) = Non-Toleranced Reference Dimension, shown for clarification purposes only.

Used On: EX28477 or Ref.:

PROPRIETARY INFORMATION This Engineering Drawing, and the information contained herein, is proprietary to Cole Hersee Company and may not be disclosed, re-produced, or in any other way transferred or communicated to any other party without the express written consent of an authorized representative of Cole Hersee Company.

DESIGN CONTROL It is the responsibility of the individual using / referencing this drawing to assure that the noted design revision level agrees with the revision level of the Controlled Document (Master Drawing). This is a NON-CONTROLLED DOCUMENT unless otherwise specifically noted.

DO NOT SCALE - Dimensional variation may occur during printing / reproduction.

Special Characteristics:

- CC Critical Characteristic, relating to Safety and/or Regulatory Compliance
- X Significant Characteristic relating to Process Control (SPC)
- KC Control Dimension relating to Form - Fit - Function as defined by Cole Hersee Company and/or the Customer

(Note that the Identification of any Characteristics as being "Special" does not alter the requirement that ALL specified dimensions & tolerances must be met.)

Scale: 1:1
 Drawn By: JJC Date Drawn: 6/13/08
 Responsible Engineer: JJC

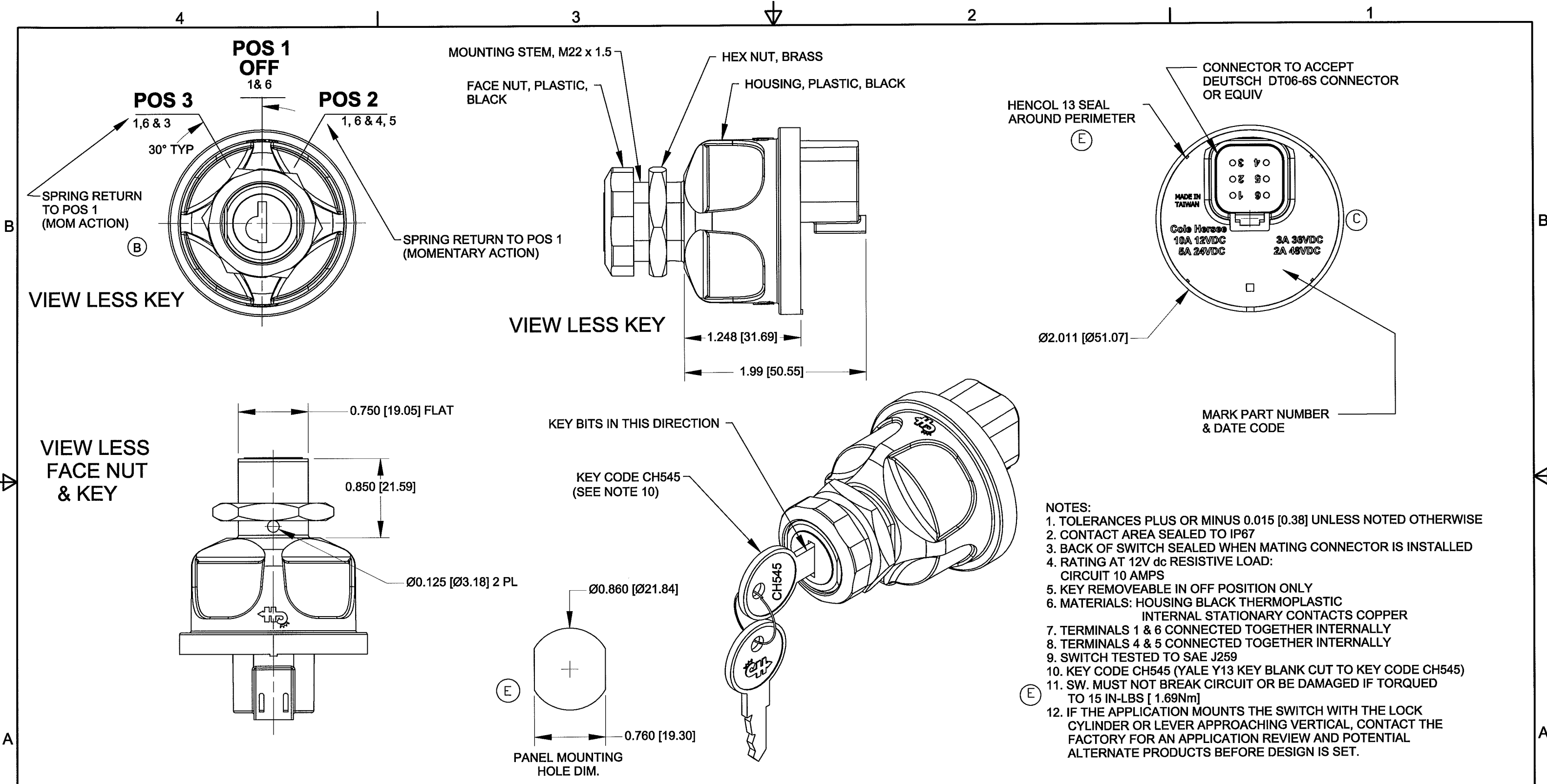
Cole Hersee Co.
 20 Old Colony Ave., South Boston, MA, 02127
 Phn: 617-268-2100 Web: www.colehersee.com

Description:
SW, ROT, 4POS, PLSTC

Drawing / Part No.:
95060-34

Current Rev.:
D

Created using Autocad Inventor



- NOTES:**
1. TOLERANCES PLUS OR MINUS 0.015 [0.38] UNLESS NOTED OTHERWISE
 2. CONTACT AREA SEALED TO IP67
 3. BACK OF SWITCH SEALED WHEN MATING CONNECTOR IS INSTALLED
 4. RATING AT 12V dc RESISTIVE LOAD:
CIRCUIT 10 AMPS
 5. KEY REMOVEABLE IN OFF POSITION ONLY
 6. MATERIALS: HOUSING BLACK THERMOPLASTIC
INTERNAL STATIONARY CONTACTS COPPER
 7. TERMINALS 1 & 6 CONNECTED TOGETHER INTERNALLY
 8. TERMINALS 4 & 5 CONNECTED TOGETHER INTERNALLY
 9. SWITCH TESTED TO SAE J259
 10. KEY CODE CH545 (YALE Y13 KEY BLANK CUT TO KEY CODE CH545)
 11. SW. MUST NOT BREAK CIRCUIT OR BE DAMAGED IF TORQUED TO 15 IN-LBS [1.69Nm]
 12. IF THE APPLICATION MOUNTS THE SWITCH WITH THE LOCK CYLINDER OR LEVER APPROACHING VERTICAL, CONTACT THE FACTORY FOR AN APPLICATION REVIEW AND POTENTIAL ALTERNATE PRODUCTS BEFORE DESIGN IS SET.

Revision Control Record			
Rev.	Description of Change	ECN No.	Date
E	ADDED HENCOL 13; ADDED TORQUE NOTE	13166	6/17/13

Revision Control Record			
Rev.	Description of Change	ECN No.	Date
A	RELEASED DRAWING	09402	7/31/09
B	REVISED KEY SLOT	09516	10/22/09
C	DELETED UL SYMBOL	10258	6/28/10
D	ADDED MADE IN TAIWAN	11215	7/15/11

Tolerances Unless otherwise specifically noted, the following are default tolerances:
 • 2-place Decimal Dimensions +/- .02"
 • 3-place Decimal Dimensions +/- .005"
 • Angular Dimensions +/- 1.0 Deg.
 • Metric: Refer to equivalent English Dimension Tolerance
 >>> NOTE: All tolerances are Non-Cumulative. <<<

Dimensional Units All dimensions are expressed in inches except those shown in brackets (xxx) are expressed in millimeters

***REF.* or an Asterisk (*) = Non-Toleranced Reference Dimension, shown for clarification purposes only.**

Used On or Ref.: EX28527

PROPRIETARY INFORMATION This Engineering Drawing, and the information contained herein, is proprietary to Cole Hersee Company and may not be disclosed, re-produced, or in any other way transferred or communicated to any other party without the express written consent of an authorized representative of Cole Hersee Company.

DESIGN CONTROL It is the responsibility of the Individual using / referencing this drawing to assure that the noted design revision level agrees with the revision level of the Controlled Document (Master Drawing). This is a NON-CONTROLLED DOCUMENT unless otherwise specifically noted.

DO NOT SCALE - Dimensional variation may occur during printing / reproduction.

Drawn By: JJC Date Drawn: 1/09/09

Special Characteristics:

- CC Critical Characteristic, relating to Safety and/or Regulatory Compliance
- X Significant Characteristic relating to Process Control (SPC)
- KC Control Dimension relating to Form - Fit - Function as defined by Cole Hersee Company and/or the Customer

(Note that the identification of any Characteristics as being "Special" does not alter the requirement that ALL specified dimensions & tolerances must be met.)

Responsible Engineer: JJC

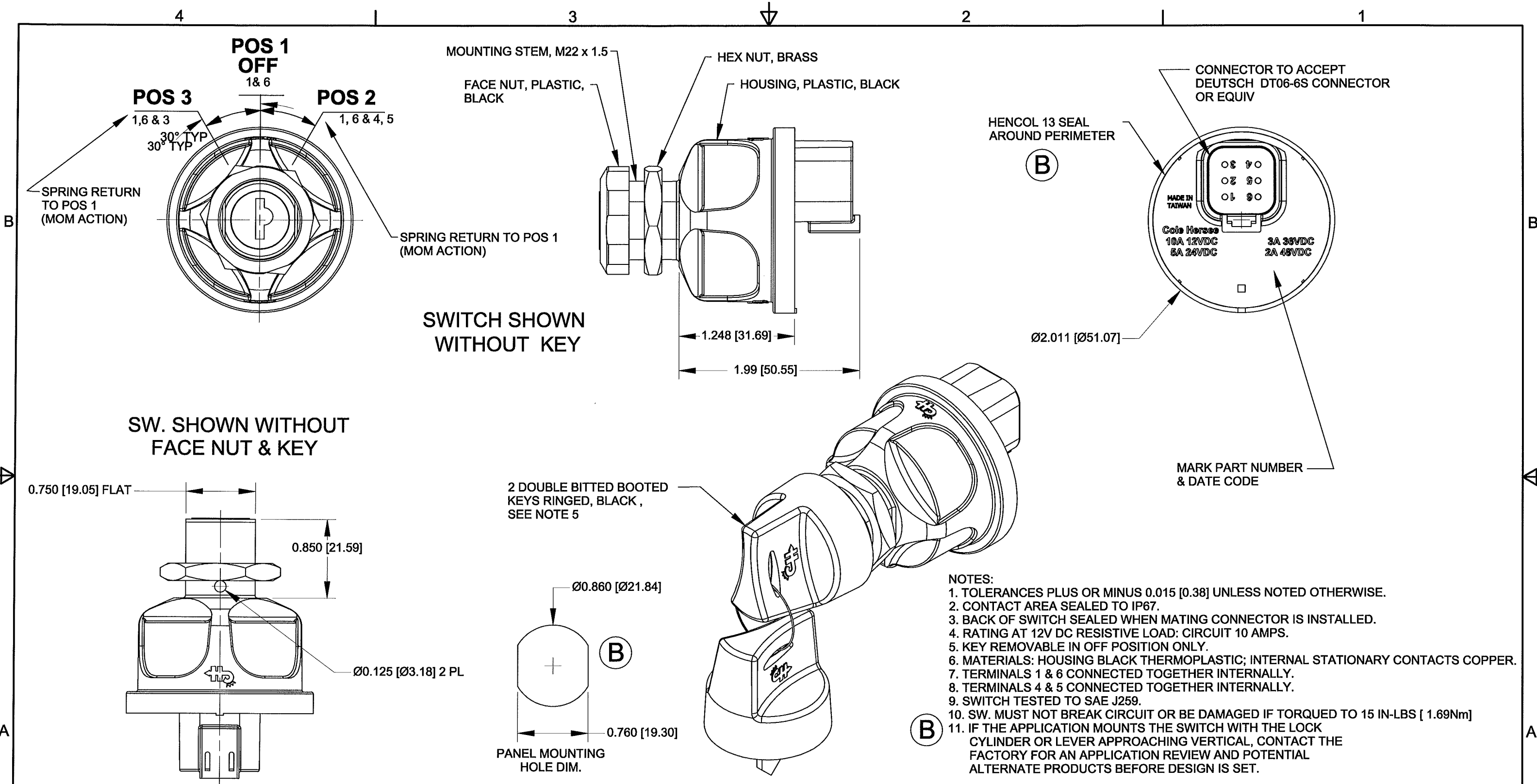
Cole Hersee Co.
 20 Old Colony Ave., South Boston, MA, 02127
 Pbn: 617-268-2100 Web: www.colehersee.com

Description:
SW, ROT, 3POS, PLSTC

Drawing / Part No.: 95060-36

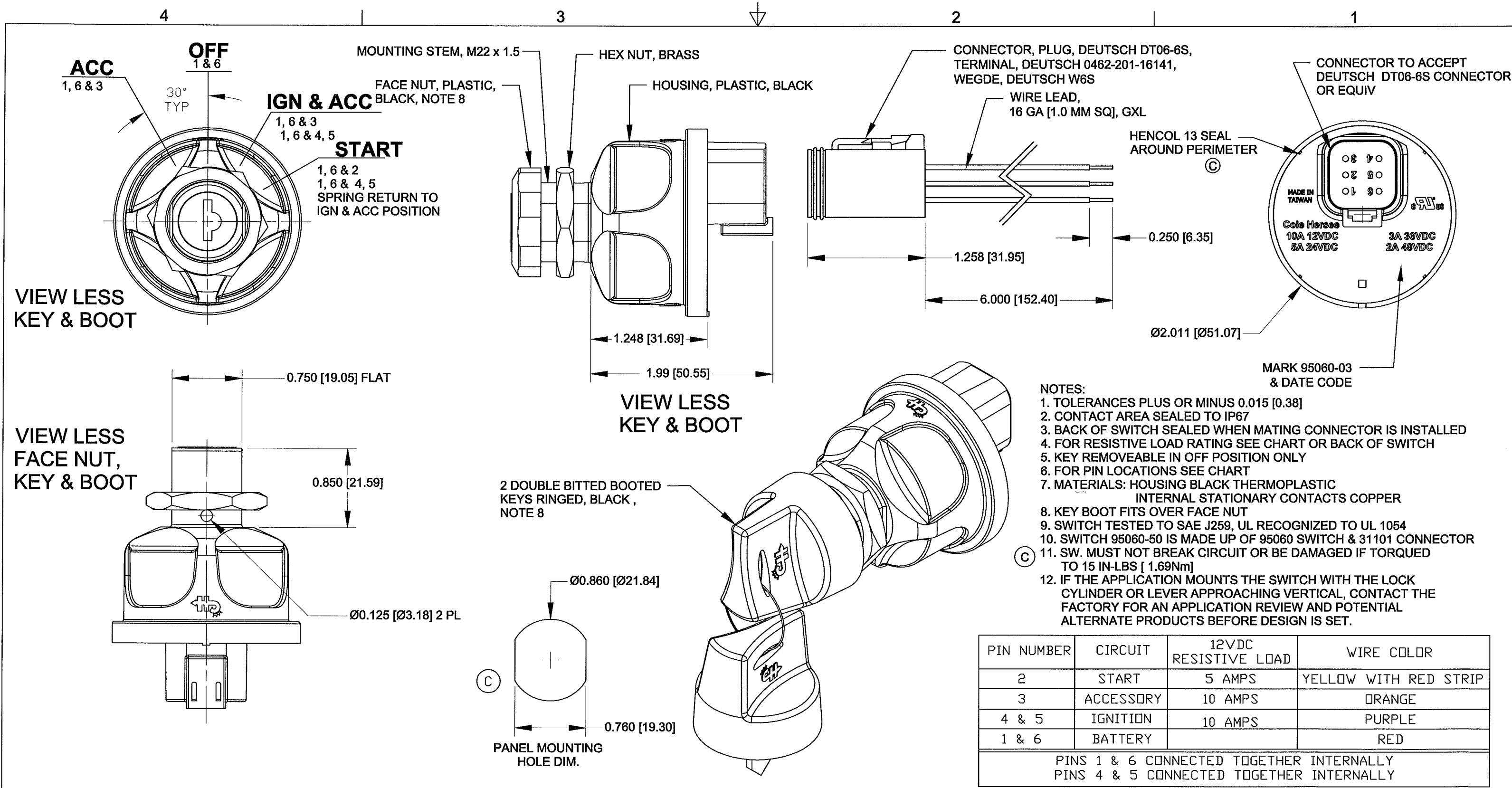
Current Rev.: E

Created using Autocad Inventor



- NOTES:**
1. TOLERANCES PLUS OR MINUS 0.015 [0.38] UNLESS NOTED OTHERWISE.
 2. CONTACT AREA SEALED TO IP67.
 3. BACK OF SWITCH SEALED WHEN MATING CONNECTOR IS INSTALLED.
 4. RATING AT 12V DC RESISTIVE LOAD: CIRCUIT 10 AMPS.
 5. KEY REMOVABLE IN OFF POSITION ONLY.
 6. MATERIALS: HOUSING BLACK THERMOPLASTIC; INTERNAL STATIONARY CONTACTS COPPER.
 7. TERMINALS 1 & 6 CONNECTED TOGETHER INTERNALLY.
 8. TERMINALS 4 & 5 CONNECTED TOGETHER INTERNALLY.
 9. SWITCH TESTED TO SAE J259.
 10. SW. MUST NOT BREAK CIRCUIT OR BE DAMAGED IF TORQUED TO 15 IN-LBS [1.69Nm]
 11. IF THE APPLICATION MOUNTS THE SWITCH WITH THE LOCK CYLINDER OR LEVER APPROACHING VERTICAL, CONTACT THE FACTORY FOR AN APPLICATION REVIEW AND POTENTIAL ALTERNATE PRODUCTS BEFORE DESIGN IS SET.

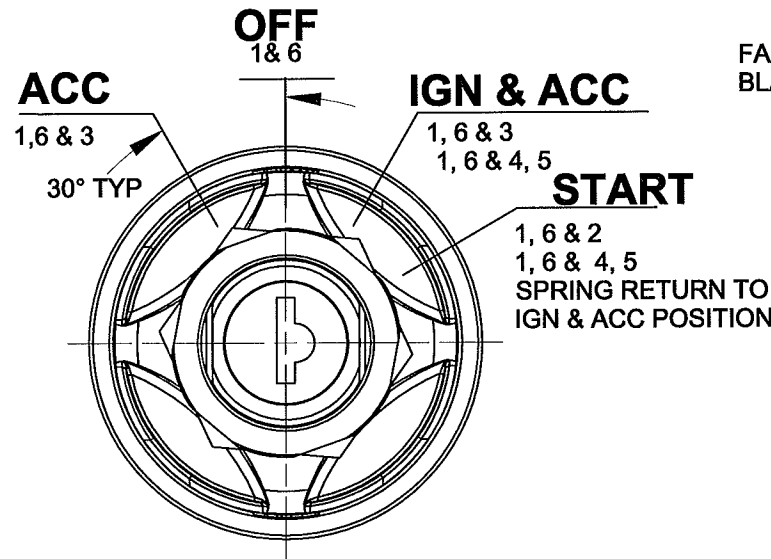
Revision Control Record				Tolerances Unless otherwise specifically noted, the following are default tolerances: * 2-place Decimal Dimensions +/- .02" * 3-place Decimal Dimensions +/- .005" * Angular Dimensions +/- 1.0 Deg. * Metric: Refer to equivalent English Dimension Tolerance >>> NOTE: All tolerances are Non-Cumulative. <<<	PROPRIETARY INFORMATION This Engineering Drawing, and the information contained herein, is proprietary to Cole Hersee Company and may not be disclosed, re-produced, or in any other way transferred or communicated to any other party without the express written consent of an authorized representative of Cole Hersee Company.	Special Characteristics:		Critical Characteristic, relating to Safety and/or Regulatory Compliance Significant Characteristic relating to Process Control (SPC) Control Dimension relating to Form - Fit - Function as defined by Cole Hersee Company and/or the Customer <small>(Note that the identification of any Characteristics as being "Special" does not alter the requirement that ALL specified dimensions & tolerances must be met.)</small>	Cole Hersee Co. 20 Old Colony Ave., South Boston, MA, 02127 Phn: 617-268-2100 Web: www.colehersee.com
Rev.	Description of Change	ECN No.	Date			Dimensional Units All dimensions are expressed in inches except those shown in brackets (xxx) are expressed in millimeters	DESIGN CONTROL It is the responsibility of the Individual using / referencing this drawing to assure that the noted design revision level agrees with the revision level of the Controlled Document (Master Drawing). This is a NON-CONTROLLED DOCUMENT unless otherwise specifically noted.		
A	RELEASED DRAWING	12355	12/04/12						
B	ADDED HENCOL 13; ADDED TORQUE NOTE	13176	06/28/13						
				Used On EX29028 or Ref.:	Scale: 1:1	Drawn By: A.VISCO	Date Drawn: 12/04/12	Responsible Engineer: JJC	PAGE 1 Created using Autocad Inventor



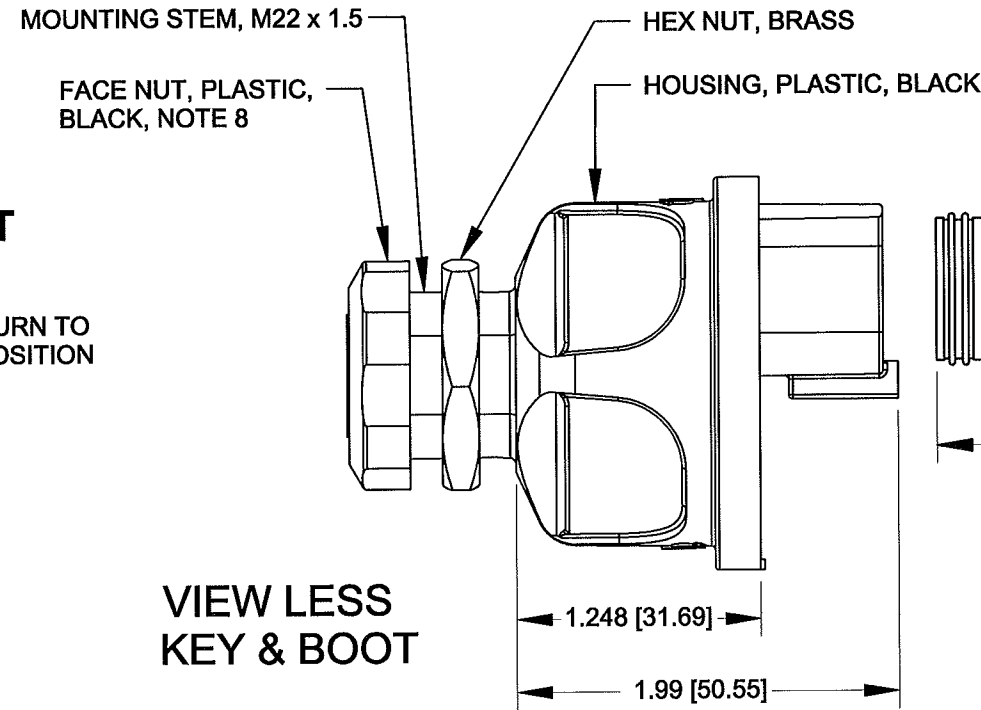
Revision Control Record				Rev.	Description of Change	ECN No.	Date
Rev.	Description of Change	ECN No.	Date				
A	RELEASED DRAWING	10348	9/28/10				
B	ADDED MADE IN TAIWAN	11215	7/15/11				
C	ADDED HENCOL 13; ADDED TORQUE NOTE	13176	6/28/13				

Tolerances Unless otherwise specifically noted, the following are default tolerances; 2-places +/- 0.02" 3-places +/- 0.005" Angular +/- 1° Metric: Shown in [] refers to equivalent English Dim Tol "REF." or an Asterisk (*) = Non-Toleranced Reference Dimension, shown for clarification purposes only. NOTE: All tolerances are Non-Cumulative.		PROPRIETARY INFORMATION This Engineering Drawing, and the information contained herein, is proprietary to Cole Hersee Company and may not be disclosed, re-produced, or in any other way transferred or communicated to any other party without the express written consent of an authorized representative of Cole Hersee Company.		Special Characteristics: <input checked="" type="checkbox"/> Critical Characteristic, relating to Safety and/or Regulatory Compliance <input checked="" type="checkbox"/> Significant Characteristic relating to Process Control <input checked="" type="checkbox"/> Control Dimension relating to Form - Fit - Function as defined by Cole Hersee Company and/or the Customer	
FORM CHT-6 (2/07)	Used On or Ref.: 95060-03 & 31101	Scale: 1:1	Drawn BY: DPS	Date Drawn: 9/28/10	Pg. 1 of 1

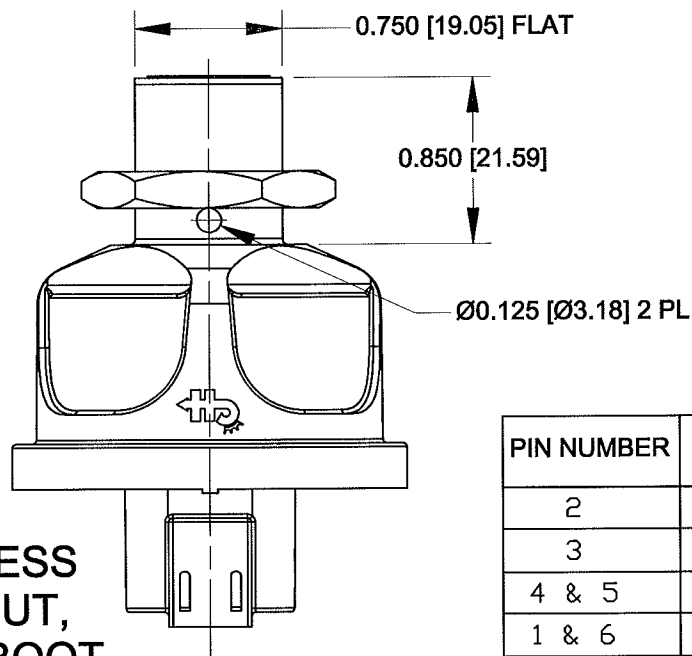
Cole Hersee Co. 20 Old Colony Ave., South Boston, MA, 02127 Phn: 617-268-2100 Web: www.colehersee.com		Description: SW,IGN & CONN	
Drawing / Part No.: 95060-50		Current Rev.: C	



VIEW LESS KEY & BOOT



VIEW LESS KEY & BOOT

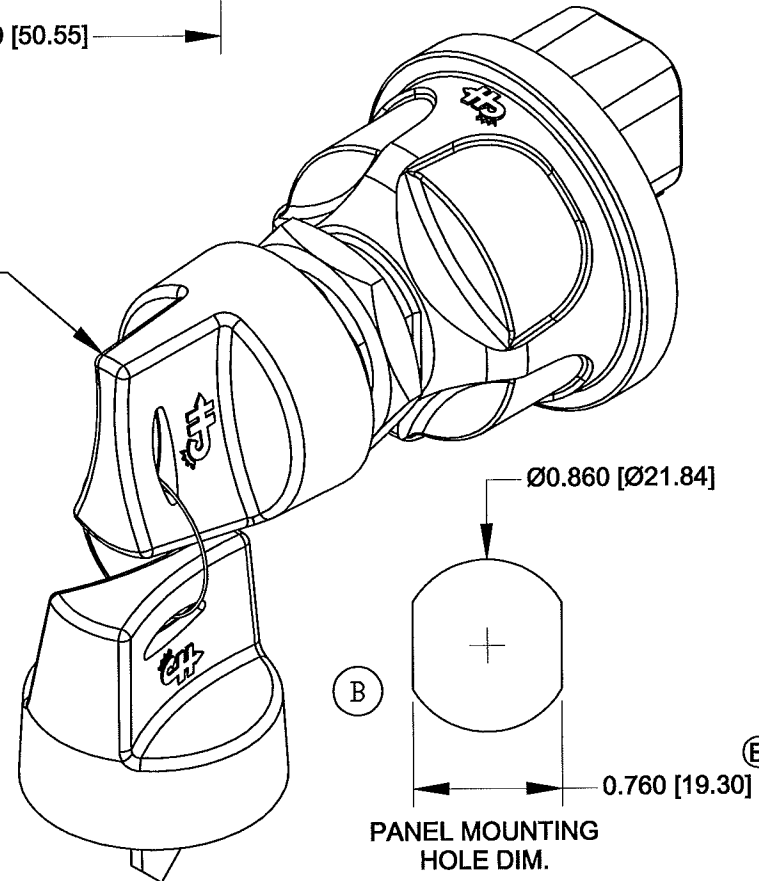


VIEW LESS FACE NUT, KEY & BOOT

PIN NUMBER	CIRCUIT	12VDC RESISTIVE LOAD
2	START	5 AMPS
3	ACCESSORY	10 AMPS
4 & 5	IGNITION	10 AMPS
1 & 6	BATTERY	

PINS 1 & 6 CONNECTED TOGETHER INTERNALLY
PINS 4 & 5 CONNECTED TOGETHER INTERNALLY

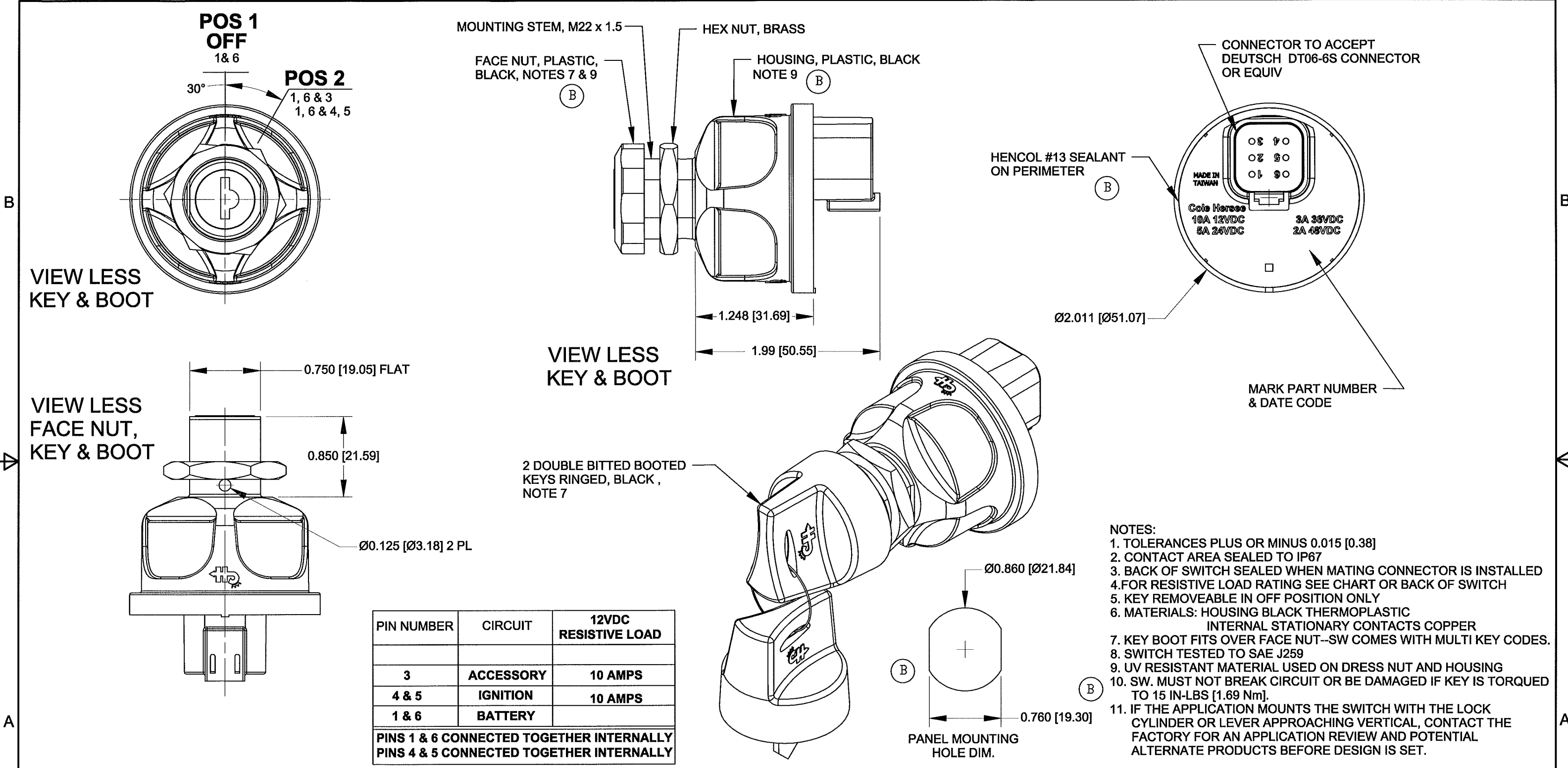
2 DOUBLE BITTED BOOTED KEYS RINGED, BLACK, SINGLE KEY CODE 601, NOTE 8, NOTE 10



- NOTES:
- TOLERANCES PLUS OR MINUS 0.015 [0.38]
 - CONTACT AREA SEALED TO IP67
 - BACK OF SWITCH SEALED WHEN MATING CONNECTOR IS INSTALLED
 - FOR RESISTIVE LOAD RATING SEE CHART OR BACK OF SWITCH
 - KEY REMOVEABLE IN OFF POSITION ONLY
 - PIN LOCATIONS SEE CHART
 - MATERIALS: HOUSING BLACK THERMOPLASTIC
INTERNAL STATIONARY CONTACTS COPPER
 - KEY BOOT FITS OVER FACE NUT
 - SWITCH TESTED TO SAE J259, UL RECOGNIZED TO UL 1054
 - SWITCH SUPPLIED WITH SINGLE KEY CODE 601
 - SWITCH 95060-51 IS MADE UP OF 95060-23 SWITCH & 31101 CONNECTOR
 - SW. MUST NOT BREAK CIRCUIT OR BE DAMAGED IF TORQUED TO 15 IN-LBS [1.69Nm]
 - IF THE APPLICATION MOUNTS THE SWITCH WITH THE LOCK CYLINDER OR LEVER APPROACHING VERTICAL, CONTACT THE FACTORY FOR AN APPLICATION REVIEW AND POTENTIAL ALTERNATE PRODUCTS BEFORE DESIGN IS SET.

Revision Control Record				Rev.	Description of Change	ECN No.	Date	Tolerances Unless otherwise specifically noted, the following are default tolerances:			PROPRIETARY INFORMATION This Engineering Drawing, and the information contained herein, is proprietary to Cole Hersee Company and may not be disclosed, re-produced, or in any other way transferred or communicated to any other party without the express written consent of an authorized representative of Cole Hersee Company.	Special Characteristics:		Cole Hersee Co. 20 Old Colony Ave., South Boston, MA, 02127 Ptn: 617-268-2100 Web: www.colehersee.com	
Rev.	Description of Change	ECN No.	Date					2-places +/- 0.02"	3-places +/- 0.005"	Angular +/- 1'		<input checked="" type="checkbox"/> Critical Characteristic, relating to Safety and/or Regulatory Compliance <input checked="" type="checkbox"/> Significant Characteristic relating to Process Control <input checked="" type="checkbox"/> Control Dimension relating to Form - Fit - Function as defined by Cole Hersee Company and/or the Customer	Description: SW, ROT, IGN & CONN		Drawing / Part No.: 95060-51
A	RELEASED DRAWING	11443	12/20/11												
B	ADDED HENCOL 13; ADDED TORQUE NOTE	13179	6/28/13												
								FORM CHT-6 (2/07)	Used On or Ref.:	95060-23	Scale: 1:1	Drawn BY: DPS	Date Drawn: 12/20/11	Pg. 1 of 1	

4 3 2 1



PIN NUMBER	CIRCUIT	12VDC RESISTIVE LOAD
3	ACCESSORY	10 AMPS
4 & 5	IGNITION	10 AMPS
1 & 6	BATTERY	

PINS 1 & 6 CONNECTED TOGETHER INTERNALLY
PINS 4 & 5 CONNECTED TOGETHER INTERNALLY

- NOTES:
- TOLERANCES PLUS OR MINUS 0.015 [0.38]
 - CONTACT AREA SEALED TO IP67
 - BACK OF SWITCH SEALED WHEN MATING CONNECTOR IS INSTALLED
 - FOR RESISTIVE LOAD RATING SEE CHART OR BACK OF SWITCH
 - KEY REMOVEABLE IN OFF POSITION ONLY
 - MATERIALS: HOUSING BLACK THERMOPLASTIC
INTERNAL STATIONARY CONTACTS COPPER
 - KEY BOOT FITS OVER FACE NUT--SW COMES WITH MULTI KEY CODES.
 - SWITCH TESTED TO SAE J259
 - UV RESISTANT MATERIAL USED ON DRESS NUT AND HOUSING
 - SW. MUST NOT BREAK CIRCUIT OR BE DAMAGED IF KEY IS TORQUED TO 15 IN-LBS [1.69 Nm].
 - IF THE APPLICATION MOUNTS THE SWITCH WITH THE LOCK CYLINDER OR LEVER APPROACHING VERTICAL, CONTACT THE FACTORY FOR AN APPLICATION REVIEW AND POTENTIAL ALTERNATE PRODUCTS BEFORE DESIGN IS SET.

Revision Control Record				Revision Control Record				Tolerances Unless otherwise specifically noted, the following are default tolerances: • 2-place Decimal Dimensions +/- .02" • 3-place Decimal Dimensions +/- .005" • Angular Dimensions +/- 1.0 Deg. • Metric: Refer to equivalent English Dimension Tolerance >>> NOTE: All tolerances are Non-Cumulative. <<< Dimensional Units All dimensions are expressed in inches except those shown in brackets (xxx) are expressed in millimeters "REF." or an Asterisk (*) = Non-Toleranced Reference Dimension, shown for clarification purposes only. Used On EX28124 or Ref.:	Scale: 1:1	Drawn By: DPS	Date Drawn: 8/24/12	Responsible Engineer: G.Aug	PAGE 1 Created using Autocad Inventor	Special Characteristics: CC Critical Characteristic, relating to Safety and/or Regulatory Compliance X Significant Characteristic relating to Process Control (SPC) KC Control Dimension relating to Form - Fit - Function as defined by Cole Hersee Company and/or the Customer (Note that the identification of any Characteristics as being "Special" does not alter the requirement that ALL specified dimensions & tolerances must be met.)	Cole Hersee Co. 20 Old Colony Ave., South Boston, MA, 02127 Pn: 617-268-2100 Web: www.colehersee.com	Description: SW, ROT, 2POS, PLSTC	Current Rev. B
Rev.	Description of Change	ECN No.	Date	Rev.	Description of Change	ECN No.	Date										
				B	ADDED HENCOL 13	13179	6/17/13										
				A	RELEASED DRAWING	13025	1/24/13										

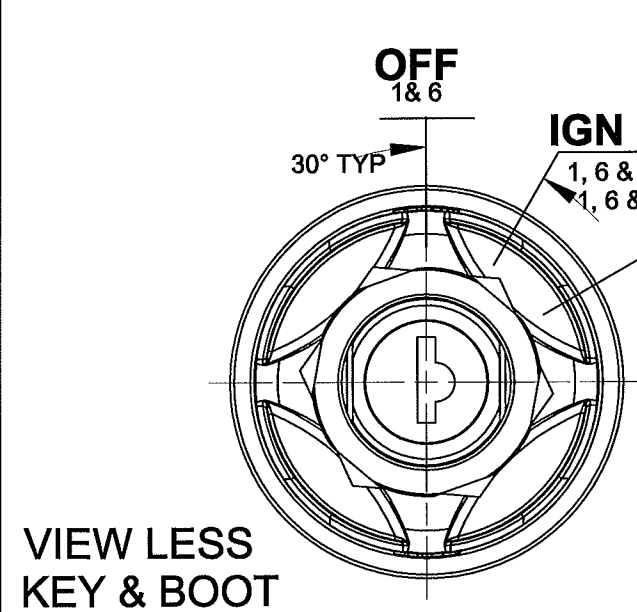
4 3 2 1

4

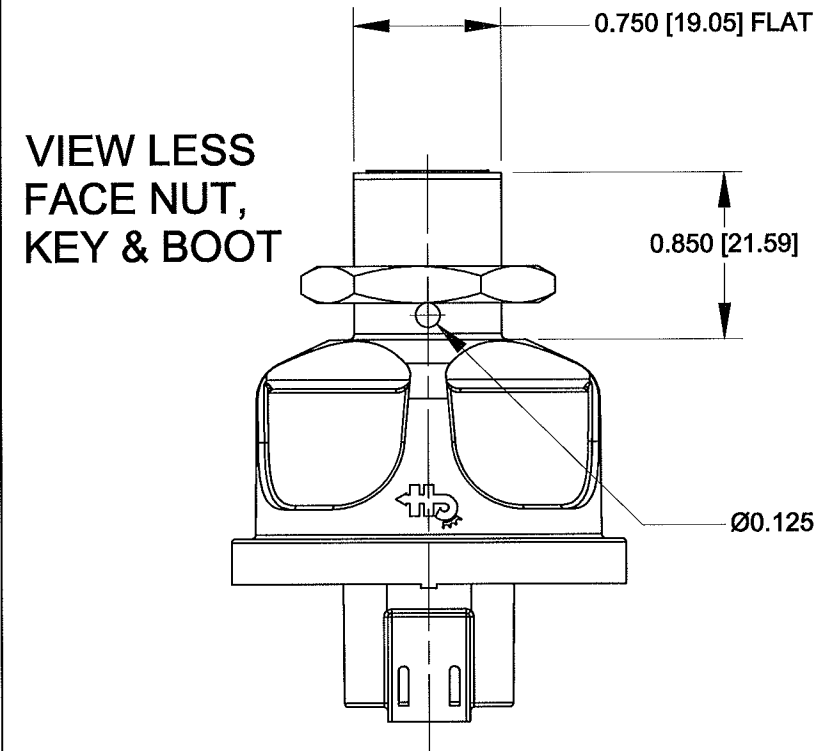
3

2

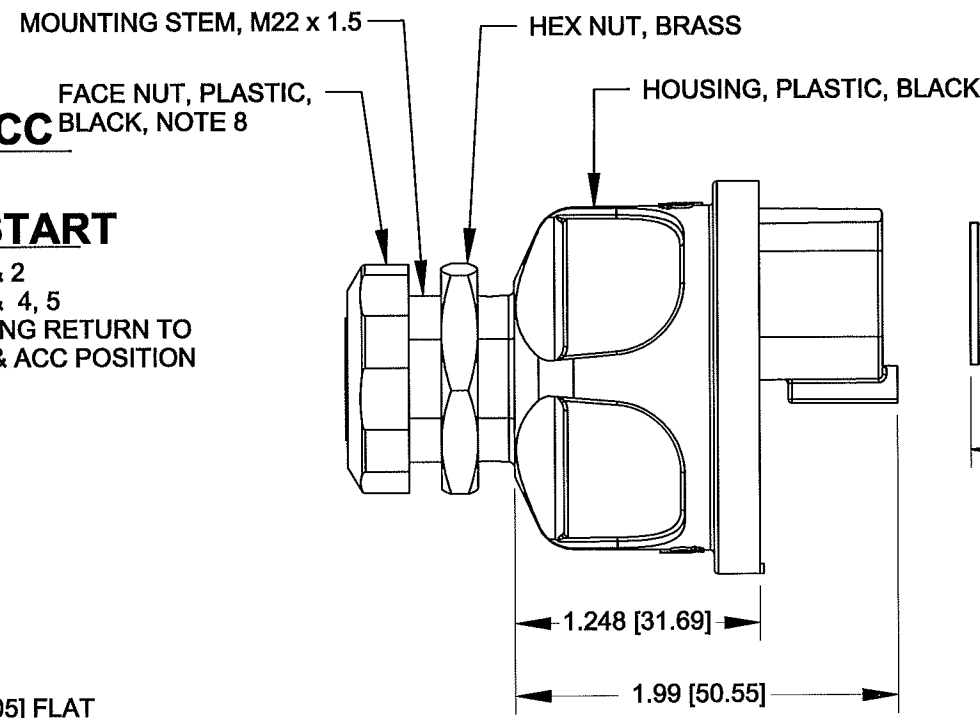
1



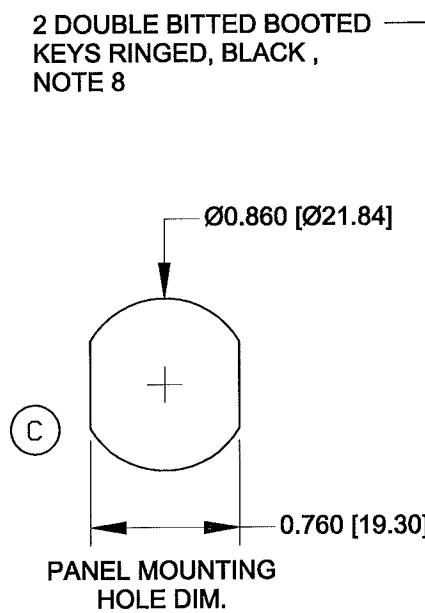
VIEW LESS KEY & BOOT



VIEW LESS FACE NUT, KEY & BOOT

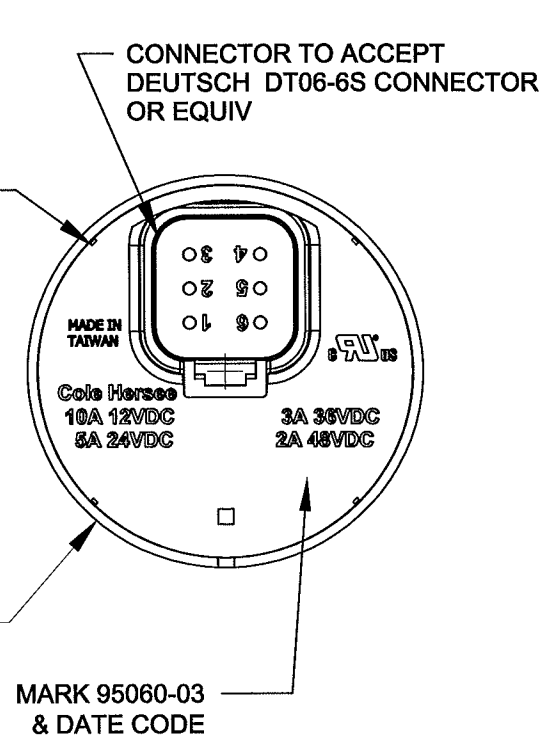
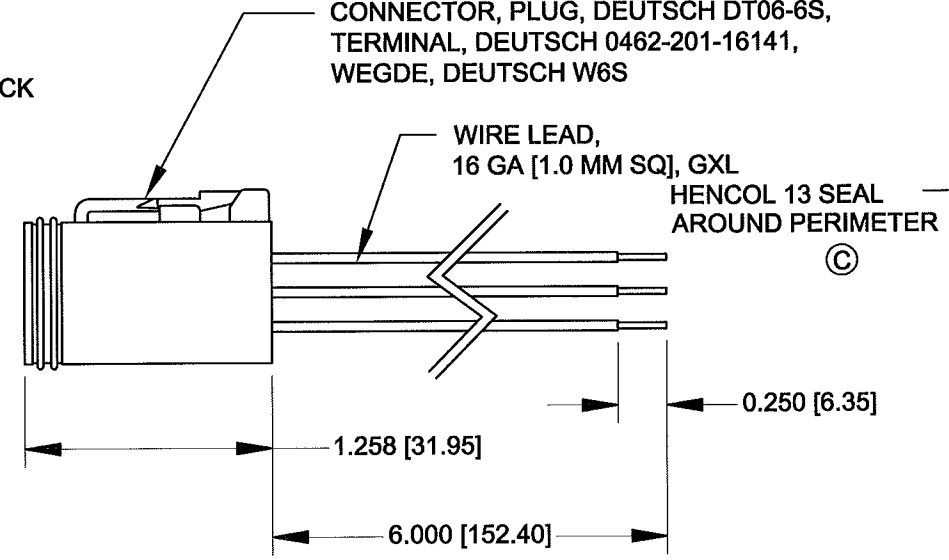
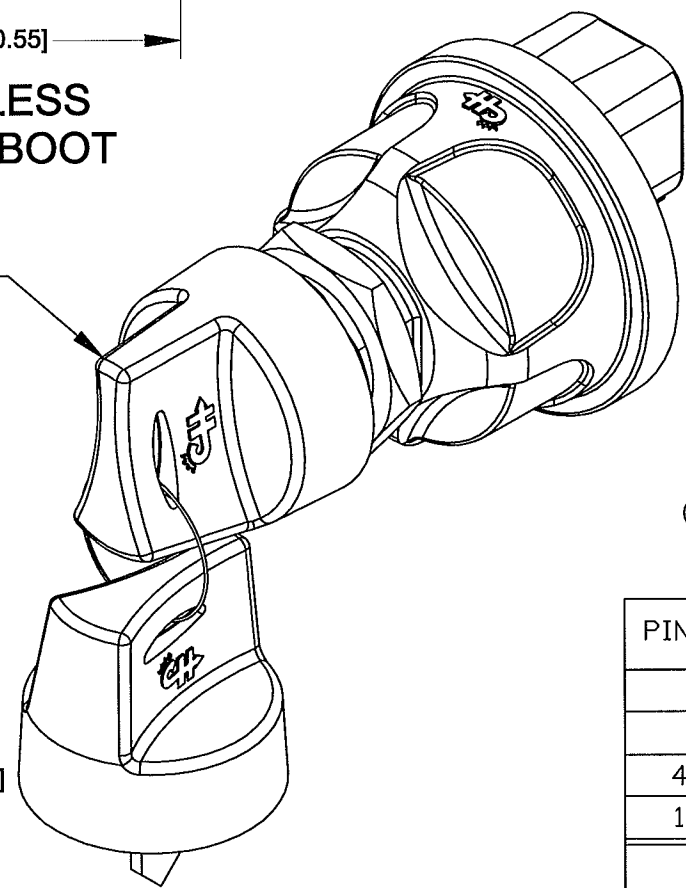


VIEW LESS KEY & BOOT



Ⓒ

2 DOUBLE BITTED BOOTED KEYS RINGED, BLACK, NOTE 8



- NOTES:
1. TOLERANCES PLUS OR MINUS 0.015 [0.38]
 2. CONTACT AREA SEALED TO IP67
 3. BACK OF SWITCH SEALED WHEN MATING CONNECTOR IS INSTALLED
 4. FOR RESISTIVE LOAD RATING SEE CHART OR BACK OF SWITCH
 5. KEY REMOVEABLE IN OFF POSITION ONLY
 6. FOR PIN LOCATIONS SEE CHART
 7. MATERIALS: HOUSING BLACK THERMOPLASTIC
INTERNAL STATIONARY CONTACTS COPPER
 8. KEY BOOT FITS OVER FACE NUT
 9. SWITCH TESTED TO SAE J259, UL RECOGNIZED TO UL 1054
 10. SWITCH 95060-60 IS MADE UP OF 95060-60 SWITCH & 31101 CONNECTOR
 11. SW. MUST NOT BREAK CIRCUIT OR BE DAMAGED IF TORQUED TO 15 IN-LBS [1.69Nm]
 12. IF THE APPLICATION MOUNTS THE SWITCH WITH THE LOCK CYLINDER OR LEVER APPROACHING VERTICAL, CONTACT THE FACTORY FOR AN APPLICATION REVIEW AND POTENTIAL ALTERNATE PRODUCTS BEFORE DESIGN IS SET.

PIN NUMBER	CIRCUIT	12VDC RESISTIVE LOAD	WIRE COLOR
2	START	5 AMPS	YELLOW WITH RED STRIP
3	ACCESSORY	10 AMPS	ORANGE
4 & 5	IGNITION	10 AMPS	PURPLE
1 & 6	BATTERY		RED

PINS 1 & 6 CONNECTED TOGETHER INTERNALLY
PINS 4 & 5 CONNECTED TOGETHER INTERNALLY

Revision Control Record				Rev.	Description of Change	ECN No.	Date
Rev.	Description of Change	ECN No.	Date				
A	RELEASED DRAWING	10345	9/24/10				
B	ADDED MADE IN TAIWAN	11215	7/15/11				
C	ADDED HENCOL 13; ADDED TORQUE NOTE	13179	6/28/13				

Tolerances Unless otherwise specifically noted, the following are default tolerances;

2-places +/- 0.02"
3-places +/- 0.005"
Angular +/- 1°

Metric: Shown In [] refers to equivalent English Dim Tol

"REF." or an Asterisk (*) = Non-Toleranced Reference Dimension, shown for clarification purposes only.

NOTE: All tolerances are Non-Cumulative.

FORM CHT-6 (2/07) Used On or Ref.: 95060-03 & 31101

PROPRIETARY INFORMATION
This Engineering Drawing, and the information contained herein, is proprietary to Cole Hersee Company and may not be disclosed, re-produced, or in any other way transferred or communicated to any other party without the express written consent of an authorized representative of Cole Hersee Company.

- Special Characteristics:**
- Ⓒ Critical Characteristic, relating to Safety and/or Regulatory Compliance
 - ⓧ Significant Characteristic relating to Process Control
 - Ⓒ Control Dimension relating to Form - Fit - Function as defined by Cole Hersee Company and/or the Customer

Cole Hersee Co.
20 Old Colony Ave., South Boston, MA, 02127
Phn: 617-268-2100 Web: www.colehersee.com

Description: SW,IGN & CONN

Drawing / Part No.: 95060-60

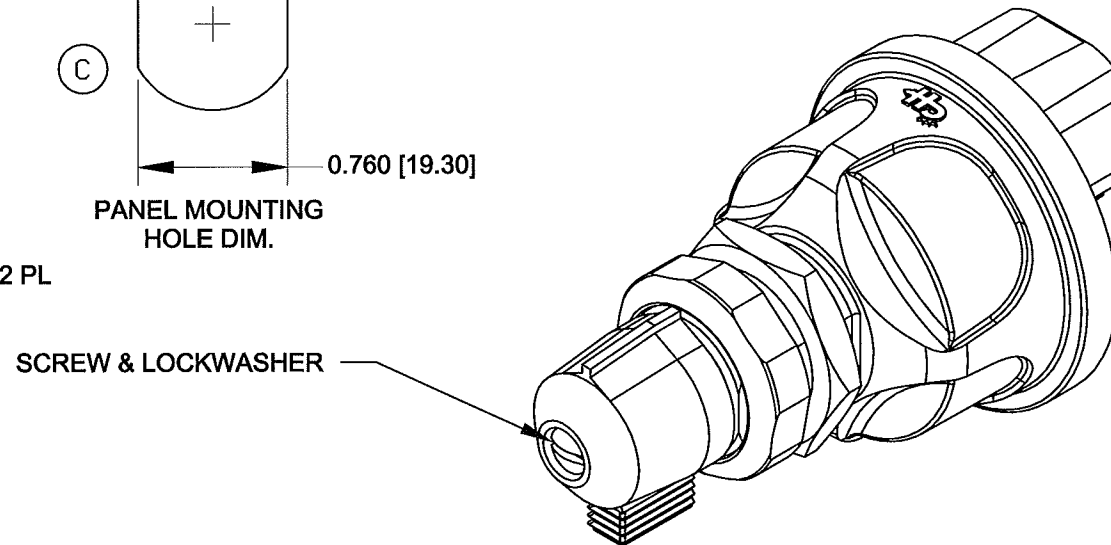
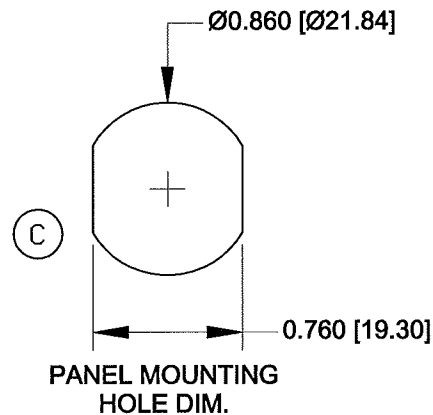
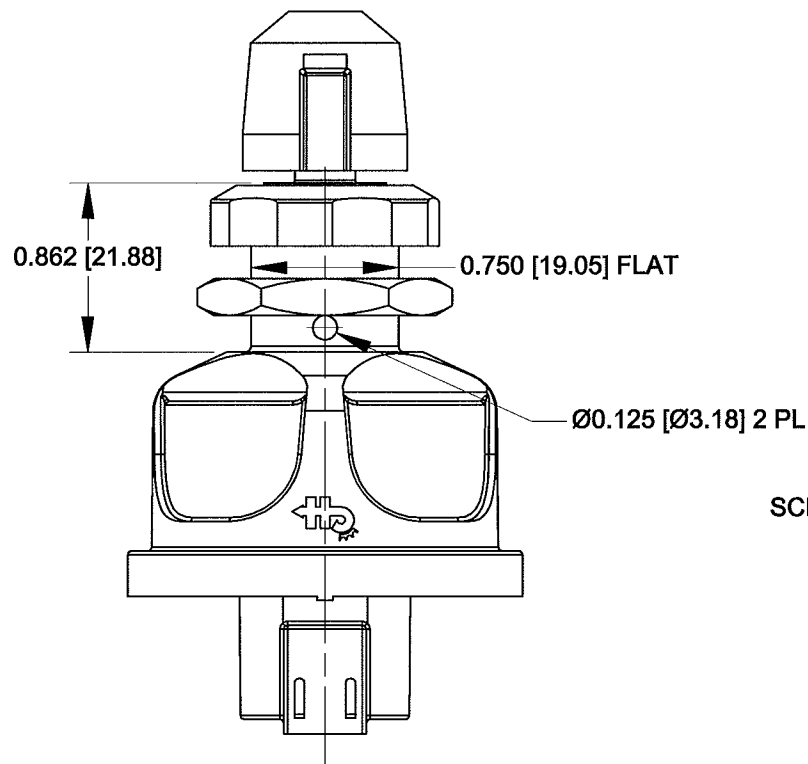
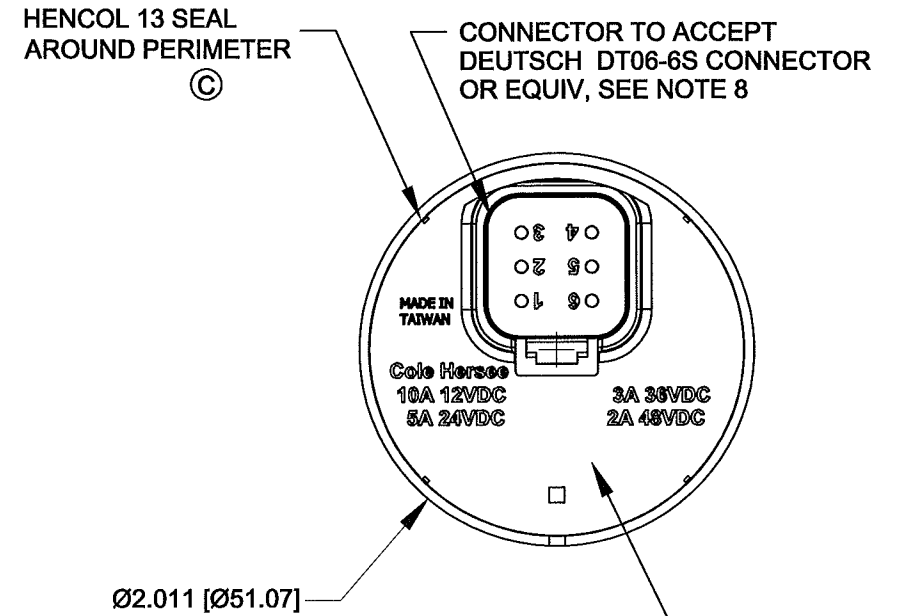
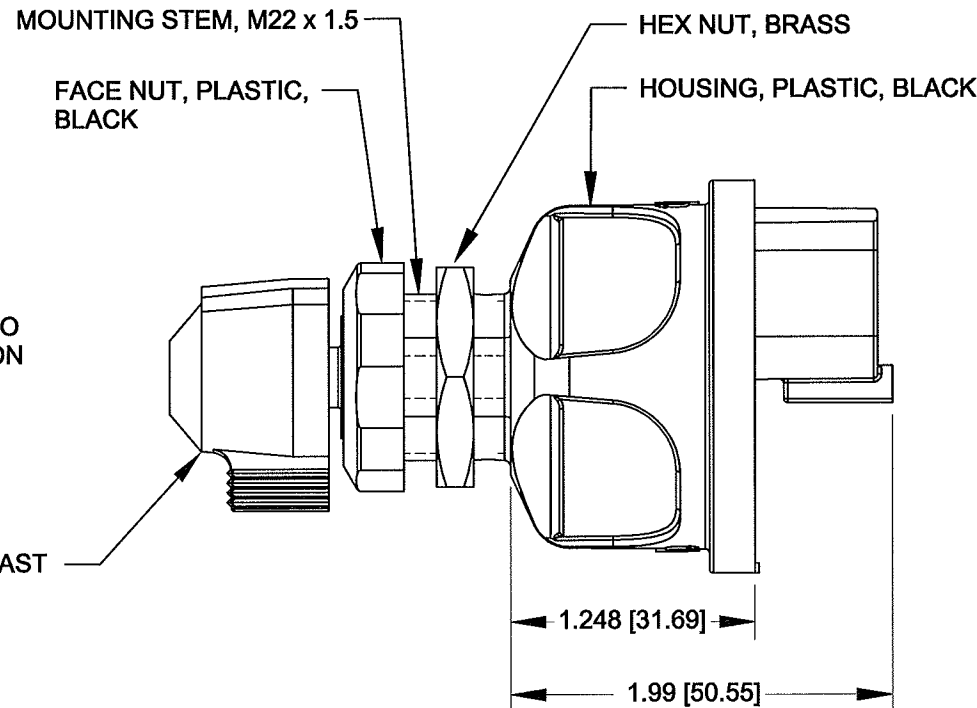
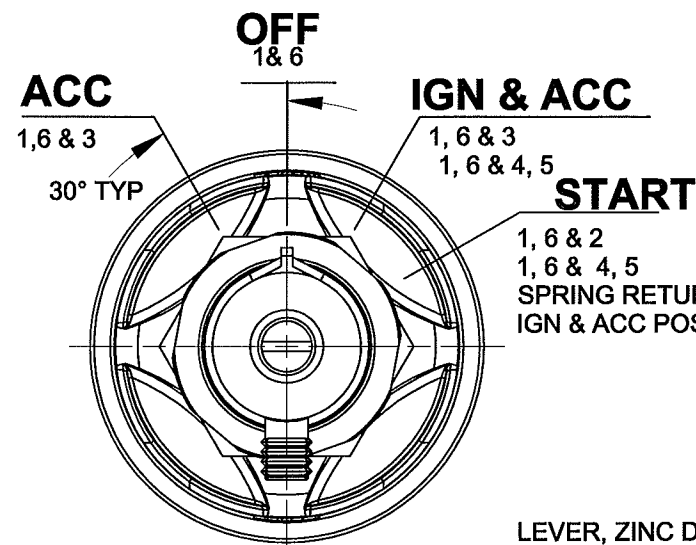
Current Rev.: C

4

3

2

1



NOTES:

1. TOLERANCES PLUS OR MINUS 0.015 [0.38]
2. CONTACT AREA SEALED TO IP67
3. BACK OF SWITCH SEALED WHEN MATING CONNECTOR IS INSTALLED
4. FOR RESISTIVE LOAD RATING SEE CHART OR BACK OF SWITCH
5. FOR PIN LOCATIONS SEE CHART
6. MATERIALS: HOUSING BLACK THERMOPLASTIC
INTERNAL STATIONARY CONTACTS COPPER
7. SWITCH TESTED TO SAE J259.
8. ALSO MATES WITH COLE HERSEE'S 31101 CONNECTOR ASSEMBLY
9. SW. MUST NOT BREAK CIRCUIT OR BE DAMAGED IF TORQUED TO 15 IN-LBS [1.69Nm]
10. IF THE APPLICATION MOUNTS THE SWITCH WITH THE LOCK CYLINDER OR LEVER APPROACHING VERTICAL, CONTACT THE FACTORY FOR AN APPLICATION REVIEW AND POTENTIAL ALTERNATE PRODUCTS BEFORE DESIGN IS SET.

PIN NUMBER	CIRCUIT	12VDC RESISTIVE LOAD
2	START	5 AMPS
3	ACCESSORY	10 AMPS
4 & 5	IGNITION	10 AMPS
1 & 6	BATTERY	

PINS 1 & 6 CONNECTED TOGETHER INTERNALLY
PINS 4 & 5 CONNECTED TOGETHER INTERNALLY

Revision Control Record				Rev.	Description of Change	ECN No.	Date
Rev.	Description of Change	ECN No.	Date				
A	RELEASED DRAWING	11179	5/31/11				
B	ADDED MADE IN TAIWAN	11215	7/15/11				
C	ADDED HENCOL 13; ADDED TORQUE NOTE	13179	06/28/13				

Tolerances Unless otherwise specifically noted, the following are default tolerances:
2-places +/- 0.02" **3-places +/- 0.005"** **Angular +/- 1°**
 Metric: Shown in [] refers to equivalent English Dim Tol
 "REF." or an Asterisk (*) = Non-Toleranced Reference Dimension, shown for clarification purposes only.
 NOTE: All tolerances are Non-Cumulative.

FORM CHT-6 (2/07) Used On or Ref.: **95060**

PROPRIETARY INFORMATION
 This Engineering Drawing, and the information contained herein, is proprietary to Cole Hersee Company and may not be disclosed, re-produced, or in any other way transferred or communicated to any other party without the express written consent of an authorized representative of Cole Hersee Company.

Special Characteristics:

- CC Critical Characteristic, relating to Safety and/or Regulatory Compliance
- X Significant Characteristic relating to Process Control
- KC Control Dimension relating to Form - Fit - Function as defined by Cole Hersee Company and/or the Customer

Cole Hersee Co.
 20 Old Colony Ave., South Boston, MA, 02127
 Phn: 617-268-2100 Web: www.colehersee.com

Description: **SW,ROT,IGN,PLSTC**

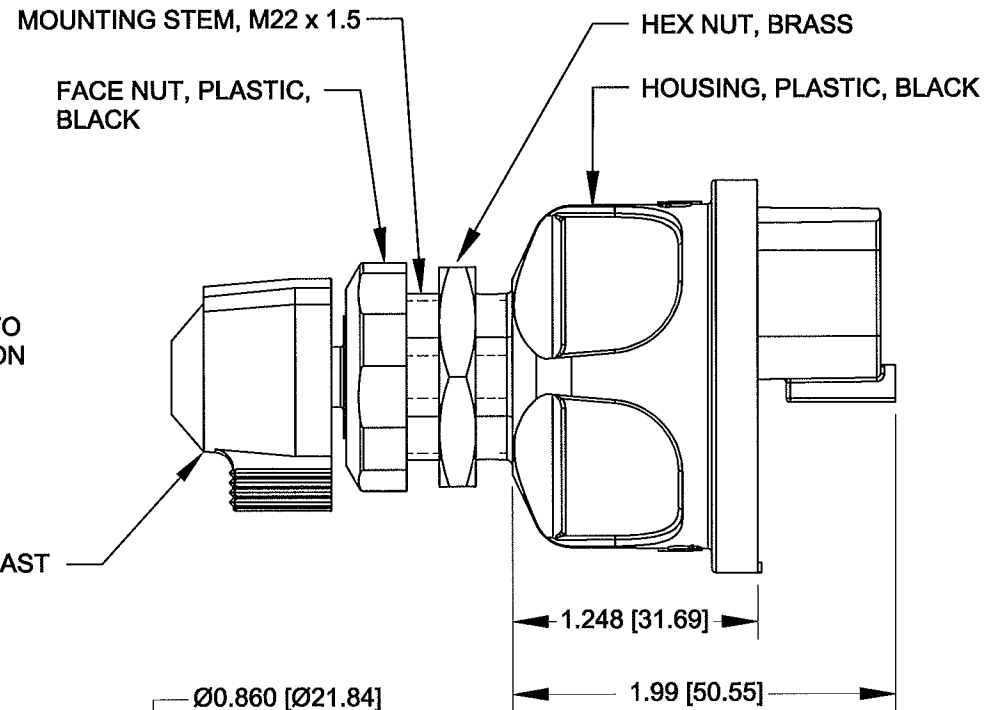
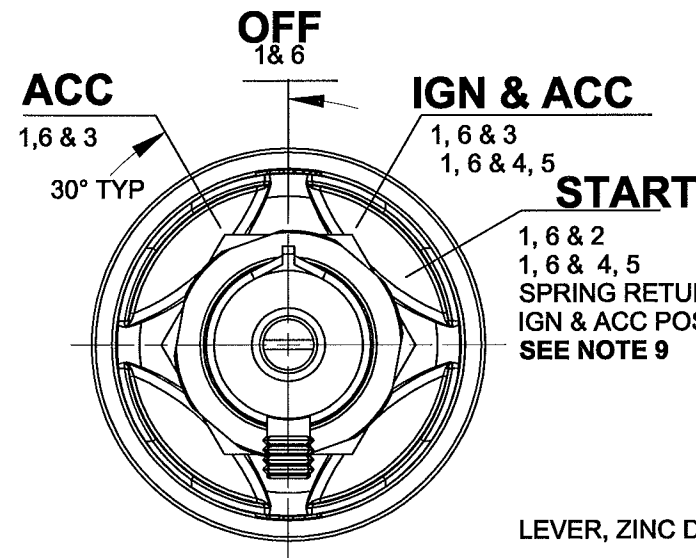
Drawing / Part No.: **95061** **Current Rev.:** **C**

4

3

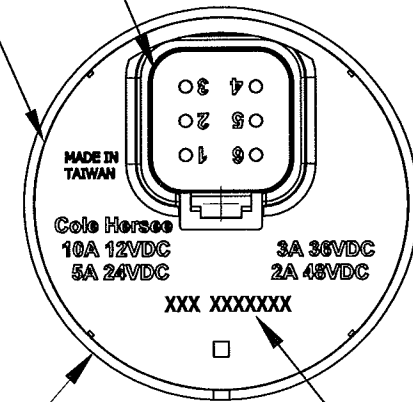
2

1



HENCOL 13 SEAL
AROUND PERIMETER
Ⓒ

CONNECTOR TO ACCEPT
DEUTSCH DT06-6S CONNECTOR
OR EQUIV, SEE NOTE 8

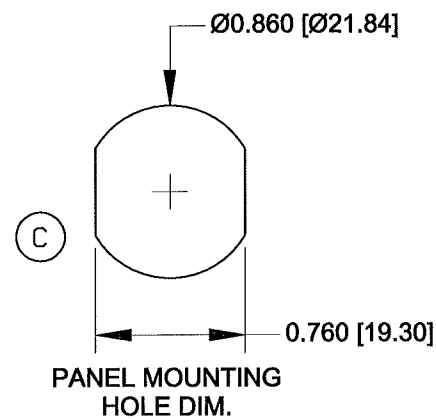
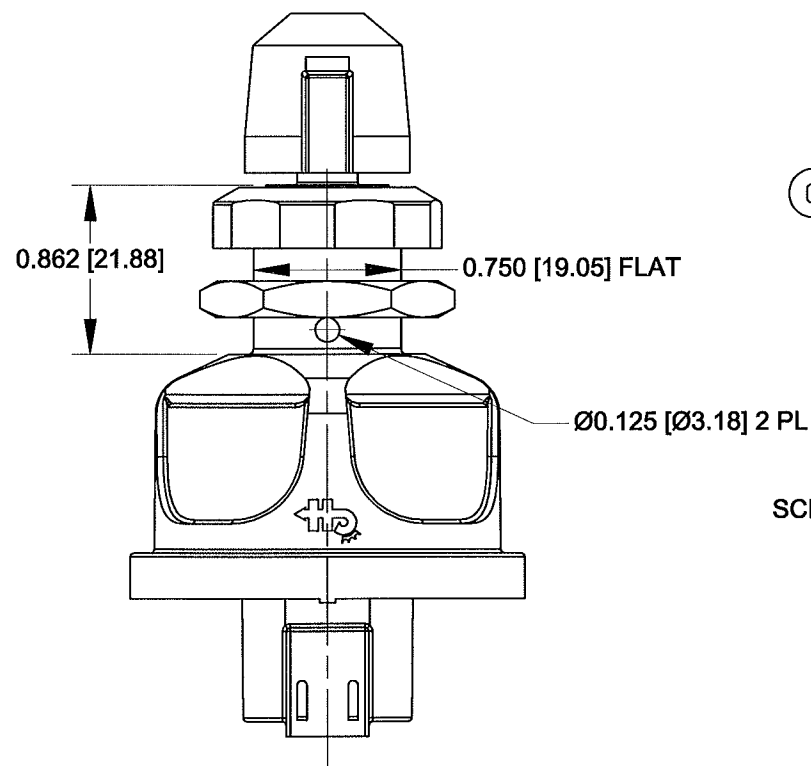


Ø2.011 [Ø51.07]

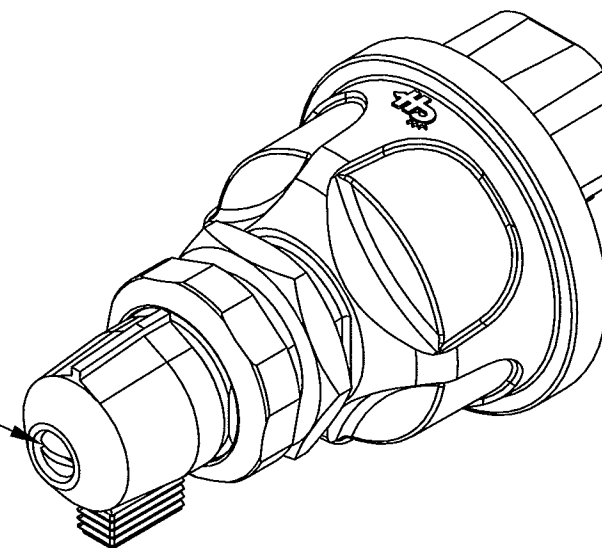
DATE CODE; SEE NOTE
10 FOR PART NUMBER

NOTES:

1. TOLERANCES PLUS OR MINUS 0.015 [0.38]
2. CONTACT AREA SEALED TO IP67
3. BACK OF SWITCH SEALED WHEN MATING CONNECTOR IS INSTALLED
4. FOR RESISTIVE LOAD RATING SEE CHART OR BACK OF SWITCH
5. FOR PIN LOCATIONS SEE CHART
6. MATERIALS: HOUSING BLACK THERMOPLASTIC
ALL INTERNAL CONTACTS: COPPER
7. SWITCH TESTED TO SAE J259.
8. SWITCH MATES WITH COLE HERSEE'S 31101 CONNECTOR ASSEMBLY
9. START LOCKOUT FEATURE: SWITCH MUST GO TO "OFF" POSITION BEFORE THE START CIRCUIT CAN BE RE-ENERGIZED.
10. 95061-01 IS SAME AS 95061-101 EXCEPT ADDED LEVER.
11. SW. MUST NOT BREAK CIRCUIT OR BE DAMAGED IF TORQUED TO 15 IN-LBS [1.69Nm]
12. IF THE APPLICATION MOUNTS THE SWITCH WITH THE LOCK CYLINDER OR LEVER APPROACHING VERTICAL, CONTACT THE FACTORY FOR AN APPLICATION REVIEW AND POTENTIAL ALTERNATE PRODUCTS BEFORE DESIGN IS SET.



SCREW & LOCKWASHER



PIN NUMBER	CIRCUIT	12VDC RESISTIVE LOAD
2	START	5 AMPS
3	ACCESSORY	10 AMPS
4 & 5	IGNITION	10 AMPS
1 & 6	BATTERY	

PINS 1 & 6 CONNECTED TOGETHER INTERNALLY
PINS 4 & 5 CONNECTED TOGETHER INTERNALLY

Revision Control Record

Rev.	Description of Change	ECN No.	Date
A	RELEASED DRAWING	12177	05/02/12
B	DRAWING CORRECTION	13095	03/20/13
C	ADDED HENCOL 13; ADDED TORQUE NOTE	13179	06/04/13

Tolerances Unless otherwise specifically noted, the following are default tolerances:

2-places +/- 0.02" 3-places +/- 0.005" Angular +/- 1°

Metric: Shown in [] refers to equivalent English Dim Tol
"REF." or an Asterisk (*) = Non-Toleranced Reference Dimension, shown for clarification purposes only.

NOTE: All tolerances are Non-Cumulative.

PROPRIETARY INFORMATION

This Engineering Drawing, and the information contained herein, is proprietary to Cole Hersee Company and may not be disclosed, re-produced, or in any other way transferred or communicated to any other party without the express written consent of an authorized representative of Cole Hersee Company.

Special Characteristics:

- Ⓒ Critical Characteristic, relating to Safety and/or Regulatory Compliance
- ⓧ Significant Characteristic relating to Process Control
- Ⓐ Control Dimension relating to Form - Fit - Function as defined by Cole Hersee Company and/or the Customer



Cole Hersee Co.

20 Old Colony Ave., South Boston, MA, 02127
Phn: 617-268-2100 Web: www.colehersee.com

Description: SW, ROT, LEVER, ANTI-RESTART

Drawing / Part No.: 95061-01 **Current Rev.:** C

FORM CHT-6 (2/07) Used On or Ref.:

Scale: 1:1

Drawn BY: G. Auguste

Date Drawn: 3/20/13

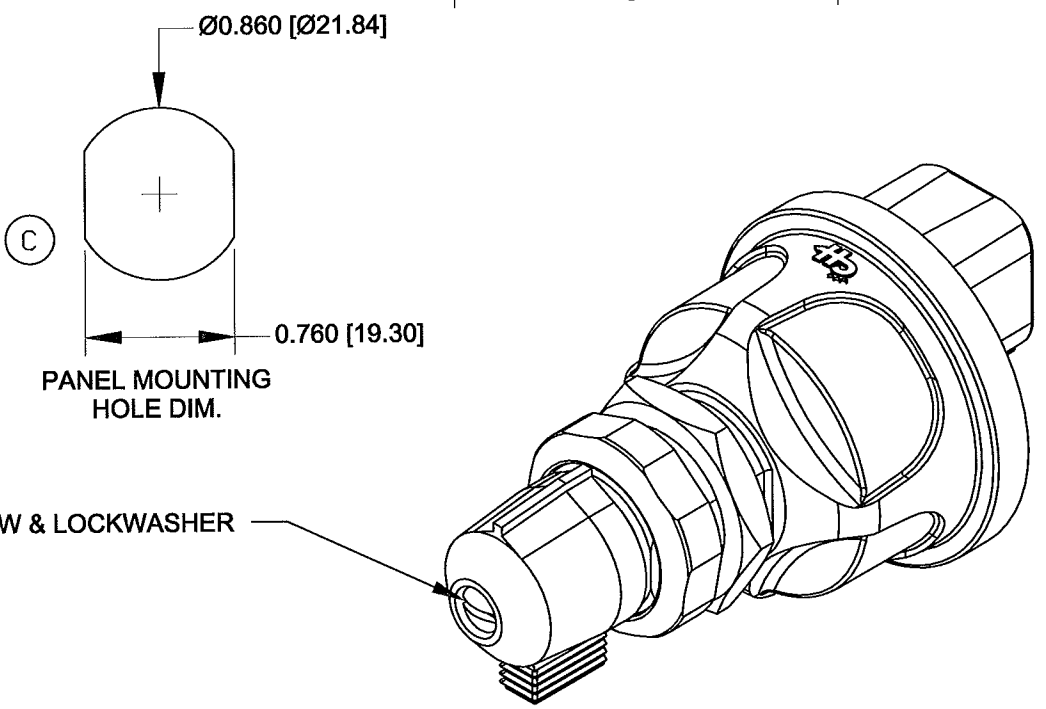
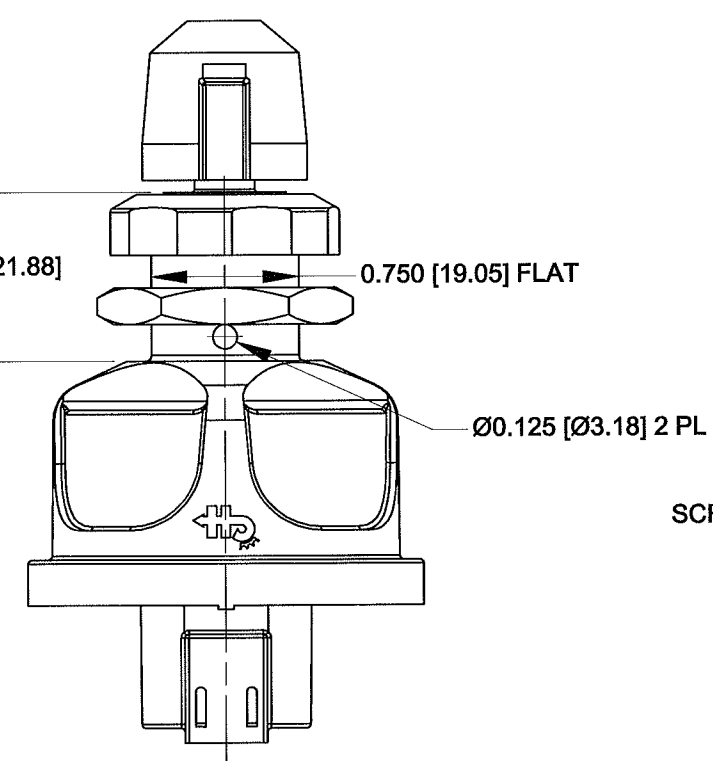
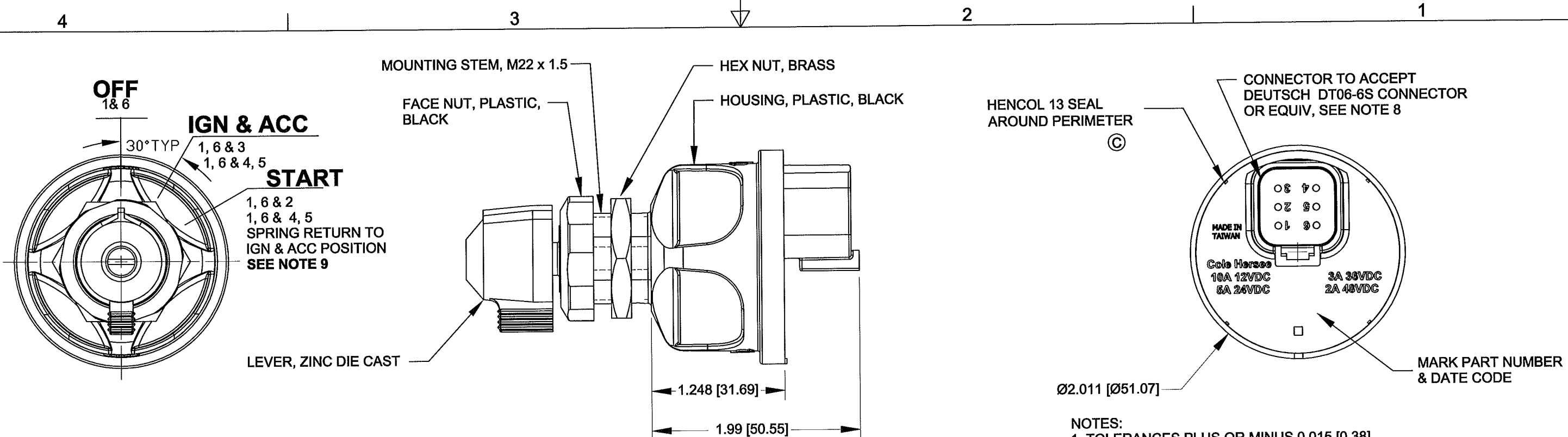
Pg. 1 of 1

4

3

2

1



- NOTES:
1. TOLERANCES PLUS OR MINUS 0.015 [0.38]
 2. CONTACT AREA SEALED TO IP67
 3. BACK OF SWITCH SEALED WHEN MATING CONNECTOR IS INSTALLED
 4. FOR RESISTIVE LOAD RATING SEE CHART OR BACK OF SWITCH
 5. FOR PIN LOCATIONS SEE CHART
 6. MATERIALS: HOUSING BLACK THERMOPLASTIC
INTERNAL STATIONARY CONTACTS COPPER
 7. SWITCH TESTED TO SAE J259.
 8. ALSO MATES WITH COLE HERSEE'S 31101 CONNECTOR ASSEMBLY
 9. START LOCKOUT FEATURE. SWITCH MUST GO TO "OFF" POSITION BEFORE THE START CIRCUIT CAN BE RE-ENERGIZED
 10. SW. MUST NOT BREAK CIRCUIT OR BE DAMAGED IF TORQUED TO 15 IN-LBS [1.69Nm]
 11. IF THE APPLICATION MOUNTS THE SWITCH WITH THE LOCK CYLINDER OR LEVER APPROACHING VERTICAL, CONTACT THE FACTORY FOR AN APPLICATION REVIEW AND POTENTIAL ALTERNATE PRODUCTS BEFORE DESIGN IS SET.

PIN NUMBER	CIRCUIT	12VDC RESISTIVE LOAD
2	START	5 AMPS
3	ACCESSORY	10 AMPS
4 & 5	IGNITION	10 AMPS
1 & 6	BATTERY	

PINS 1 & 6 CONNECTED TOGETHER INTERNALLY
PINS 4 & 5 CONNECTED TOGETHER INTERNALLY

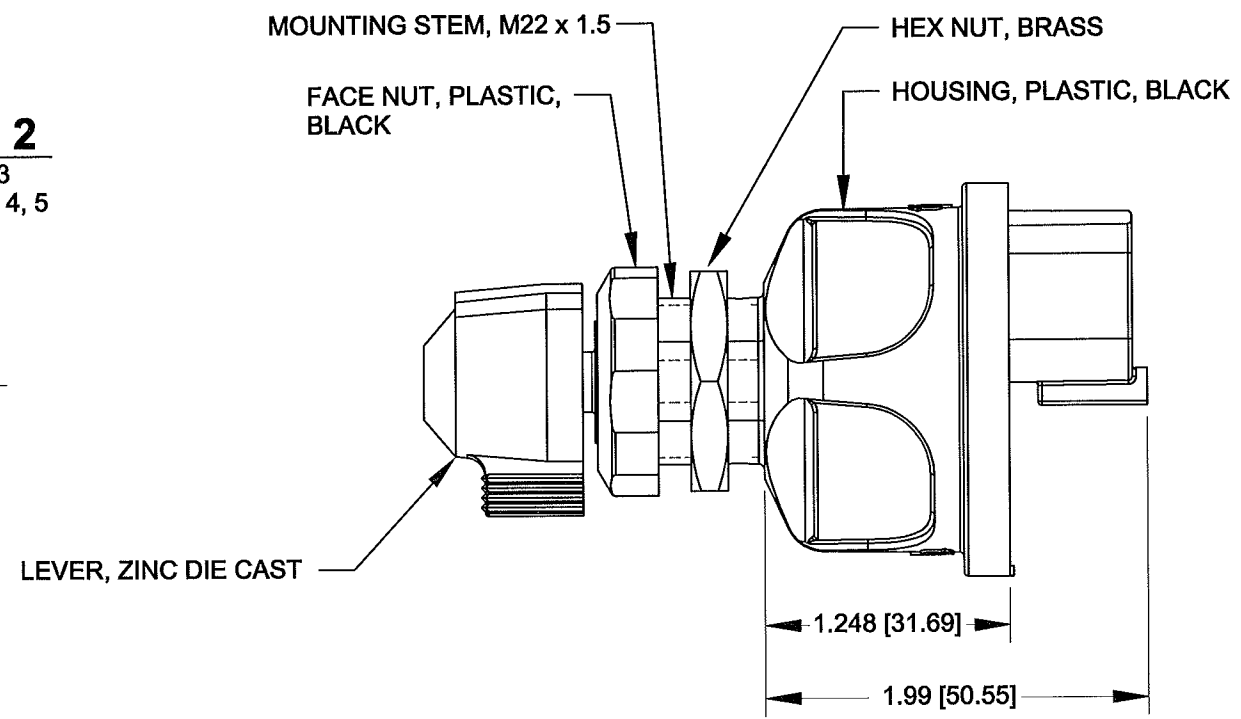
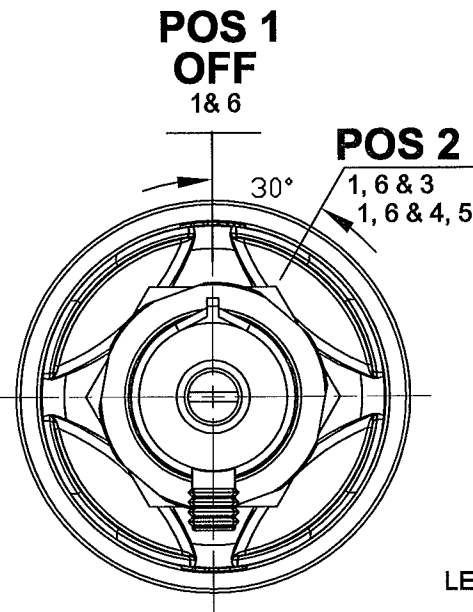
Revision Control Record				Rev.	Description of Change	ECN No.	Date	Tolerances Unless otherwise specifically noted, the following are default tolerances:			PROPRIETARY INFORMATION This Engineering Drawing, and the information contained herein, is proprietary to Cole Hersee Company and may not be disclosed, re-produced, or in any other way transferred or communicated to any other party without the express written consent of an authorized representative of Cole Hersee Company.			Special Characteristics:			Cole Hersee Co.		
Rev.	Description of Change	ECN No.	Date					2-places +/- 0.02"	3-places +/- 0.005"	Angular +/- 1°	CC	XC	CC	Description:		Drawing / Part No.:		Current Rev.	
A	RELEASED DRAWING	11179	5/31/11											SW, ROT, IGN, PLSTC		95061-04		C	
B	ADDED MADE IN TAIWAN	11215	7/15/11																
C	ADDED HENCOL 13; ADDED TORQUE NOTE	13181	06/28/13																
								FORM CHT-6 (2/07)	Used On or Ref.:	95060-04	Scale: 1:1	Drawn BY: DPS	Date Drawn: 4/15/11	Pg. 1 of 1					

4

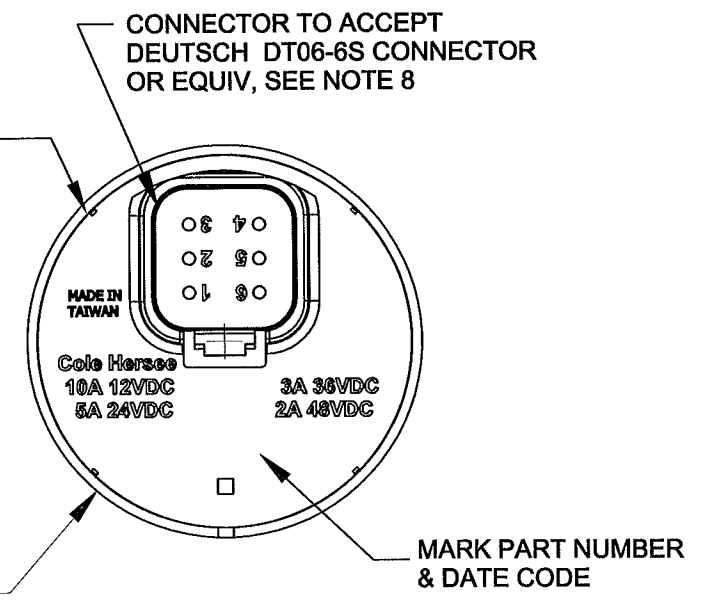
3

2

1

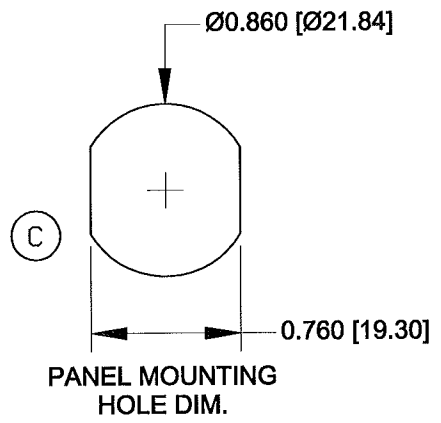
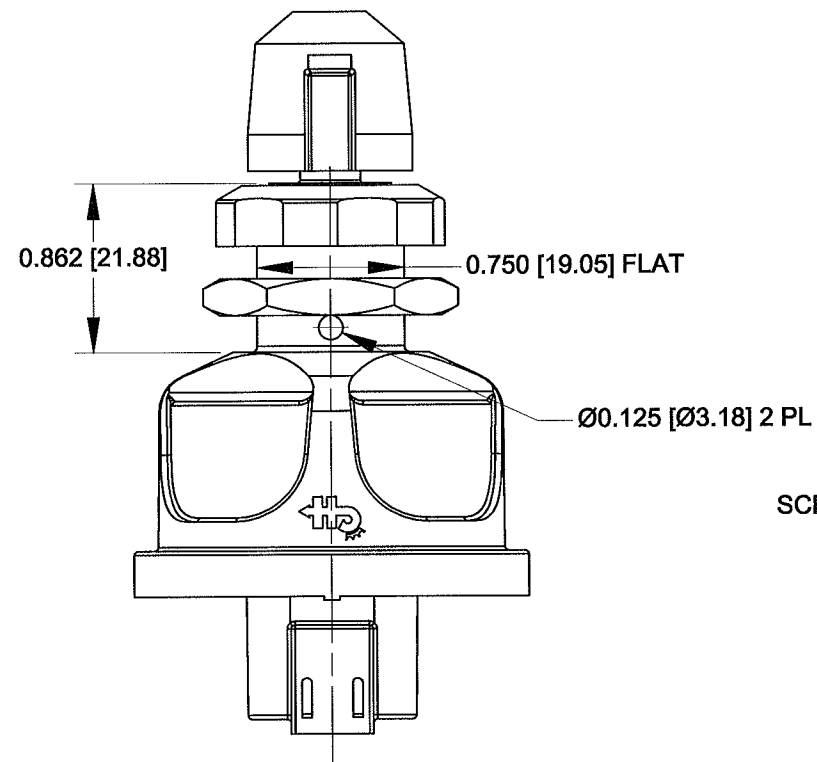


HENCOL 13 SEAL
AROUND PERIMETER
C

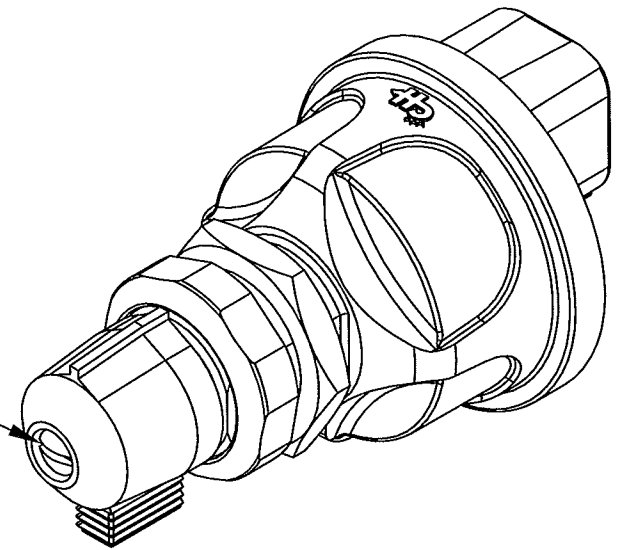


NOTES:

1. TOLERANCES PLUS OR MINUS 0.015 [0.38]
2. CONTACT AREA SEALED TO IP67
3. BACK OF SWITCH SEALED WHEN MATING CONNECTOR IS INSTALLED
4. FOR RESISTIVE LOAD RATING SEE CHART OR BACK OF SWITCH
5. FOR PIN LOCATIONS SEE CHART
6. MATERIALS: HOUSING BLACK THERMOPLASTIC
INTERNAL STATIONARY CONTACTS COPPER
7. SWITCH TESTED TO SAE J259.
8. ALSO MATES WITH COLE HERSEE'S 31101 CONNECTOR ASSEMBLY
9. IF THE APPLICATION MOUNTS THE SWITCH WITH THE LOCK CYLINDER OR LEVER APPROACHING VERTICAL, CONTACT THE FACTORY FOR AN APPLICATION REVIEW AND POTENTIAL ALTERNATE PRODUCTS BEFORE DESIGN IS SET.
10. SW. MUST NOT BREAK CIRCUIT OR BE DAMAGED IF TORQUED TO 15 IN-LBS [1.69Nm]



SCREW & LOCKWASHER



PIN NUMBER	CIRCUIT	12VDC RESISTIVE LOAD
2	NOT USED	
3	ACCESSORY	10 AMPS
4 & 5	IGNITION	10 AMPS
1 & 6	BATTERY	

PINS 1 & 6 CONNECTED TOGETHER INTERNALLY
PINS 4 & 5 CONNECTED TOGETHER INTERNALLY

Revision Control Record

Rev.	Description of Change	ECN No.	Date
A	RELEASED DRAWING	11179	5/31/11
B	ADDED MADE IN TAIWAN	11215	7/15/11
C	ADDED HENCOL 13	13181	6/17/13

Tolerances Unless otherwise specifically noted, the following are default tolerances:
2-places +/- 0.02" **3-places +/- 0.005"** **Angular +/- 1'**
 Metric: Shown in [] refers to equivalent English Dim Tol
 "REF." or an Asterisk (*) = Non-Toleranced Reference Dimension, shown for clarification purposes only.
 NOTE: All tolerances are Non-Cumulative.

PROPRIETARY INFORMATION
 This Engineering Drawing, and the information contained herein, is proprietary to Cole Hersee Company and may not be disclosed, re-produced, or in any other way transferred or communicated to any other party without the express written consent of an authorized representative of Cole Hersee Company.

- Special Characteristics:**
- CC Critical Characteristic, relating to Safety and/or Regulatory Compliance
 - X Significant Characteristic relating to Process Control
 - KC Control Dimension relating to Form - Fit - Function as defined by Cole Hersee Company and/or the Customer

Cole Hersee Co.
 20 Old Colony Ave., South Boston, MA, 02127
 Phn: 617-268-2100 Web: www.colehersee.com

Description: **SW,ROT,IGN,PLSTC**

Drawing / Part No.: **95061-07** **Current Rev.:** **C**

FORM CHT-6 (2/07) Used On or Ref.: **95060-07**

Scale: 1:1

Drawn BY: **DPS**

Date Drawn: **4/15/11**

Pg. 1 of 1

4

3

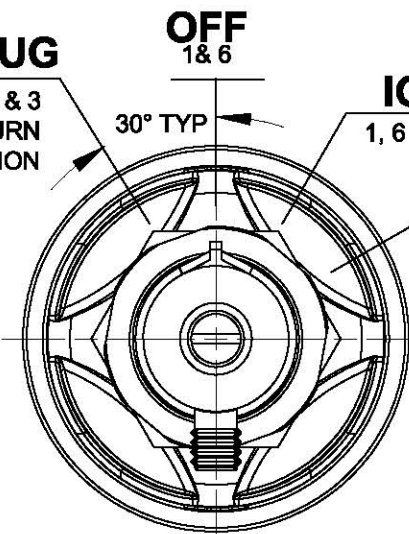
2

1

GLOW PLUG

1,6 & 3
SPRING RETURN
TO OFF POSITION

(KC)



MOUNTING STEM, M22 x 1.5

FACE NUT, PLASTIC, BLACK

HEX NUT, BRASS

HOUSING, PLASTIC, BLACK

LEVER, ZINC DIE CAST

1.248 [31.69]

1.99 [50.55]

Ø0.860 [Ø21.84]

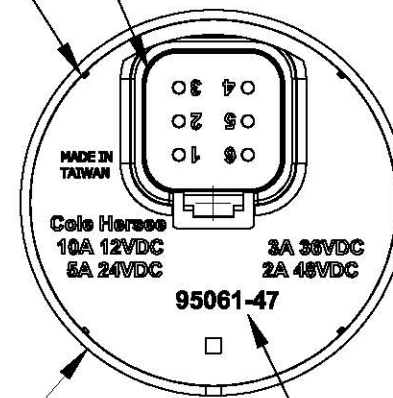
PANEL MOUNTING HOLE DIM.

0.760 [19.30]

SCREW & LOCKWASHER

HENCOL 13 SEAL
AROUND PERIMETER

CONNECTOR TO ACCEPT
DEUTSCH DT06-6S CONNECTOR
OR EQUIV, SEE NOTE 8



Ø2.011 [Ø51.07]

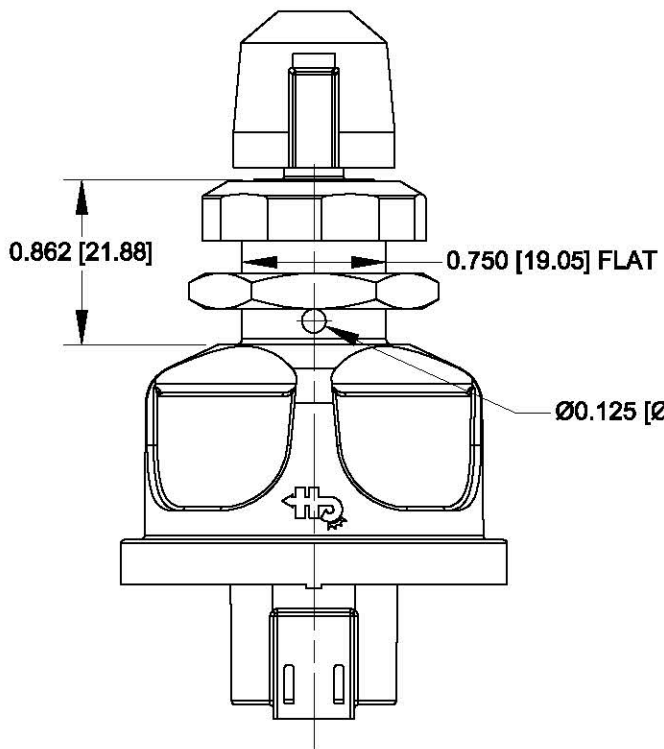
MARK PART NUMBER
& DATE CODE

NOTES:

- TOLERANCES PLUS OR MINUS 0.015 [0.38]
- CONTACT AREA SEALED TO IP67
- BACK OF SWITCH SEALED WHEN MATING CONNECTOR IS INSTALLED
- FOR RESISTIVE LOAD RATING SEE CHART OR BACK OF SWITCH
- FOR PIN LOCATIONS SEE CHART
- MATERIALS: HOUSING BLACK THERMOPLASTIC
INTERNAL STATIONARY CONTACTS COPPER
- SWITCH TESTED TO SAE J259.
- ALSO MATES WITH COLE HERSEE'S 31101 CONNECTOR ASSEMBLY
- SW. MUST NOT BREAK CIRCUIT OR BE DAMAGED IF TORQUED TO 15 IN-LBS [1.69Nm]
- IF THE APPLICATION MOUNTS THE SWITCH WITH THE LOCK CYLINDER OR LEVER APPROACHING VERTICAL, CONTACT THE FACTORY FOR AN APPLICATION REVIEW AND POTENTIAL ALTERNATE PRODUCTS BEFORE DESIGN IS SET.

PIN NUMBER	CIRCUIT	12VDC RESISTIVE LOAD
2	START	5 AMPS
3	GLOW PLUG	10 AMPS
4 & 5	IGNITION	10 AMPS
1 & 6	BATTERY	

PINS 1 & 6 CONNECTED TOGETHER INTERNALLY
PINS 4 & 5 CONNECTED TOGETHER INTERNALLY



Revision Control Record				Rev.	Description of Change	ECN No.	Date
Rev.	Description of Change	ECN No.	Date				
A	RELEASED DRAWING	11659	4/2/15				

Note: unless noted otherwise all dimension are AFTER plating
Tolerances: Unless otherwise specifically noted, the following are default tolerances;

2-places ± 0.02 [0.5] 3-places ± 0.005 [0.13] Angular ± 1°

Unless otherwise specified dimensions are in inches.
Dimensions in brackets [] are in millimeters.

"REF" = Non-Toleranced Reference Dimension, shown for clarification purposes only.

Note: All tolerances are Non-Cumulative.

FORM CHT-6 (1/12) Used On or Ref.: EX29196

PROPRIETARY INFORMATION
All information contained herein, is proprietary to Littelfuse. Unauthorized use or reproduction is prohibited.

3RD ANGLE PROJECTION

Scale: 1:1 Drawn BY: DPS Date Drawn: 3/2/15

Special Characteristics:

CC Critical Characteristic, relating to Safety and/or Regulatory Compliance

X Significant Characteristic relating to Process Control

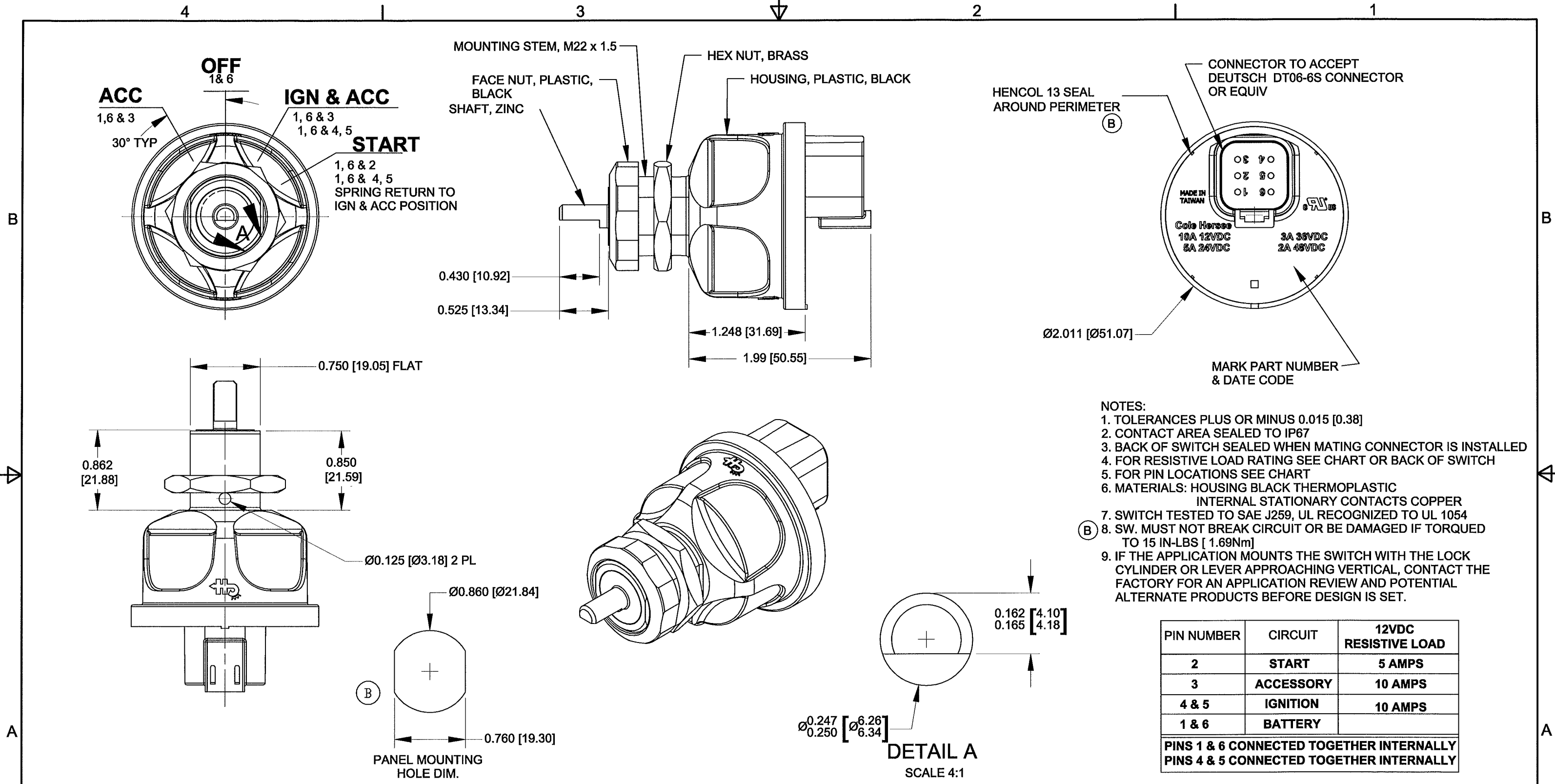
KC Control Dimension relating to Form - Fit - Function as defined by Littelfuse and/or the Customer

Pg. 1 of 1

Littelfuse®
Phn: 617-268-2100 Web: www.colehersee.com

Description: **SW,ROT,IGN,PLSTC**

Drawing / Part No.: **95061-47** Current Rev. **A**

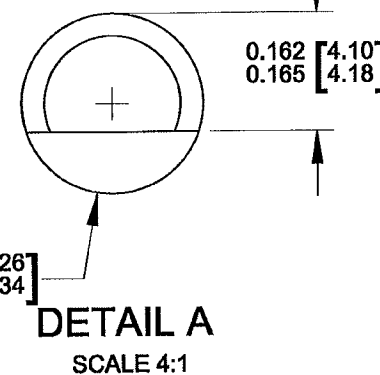
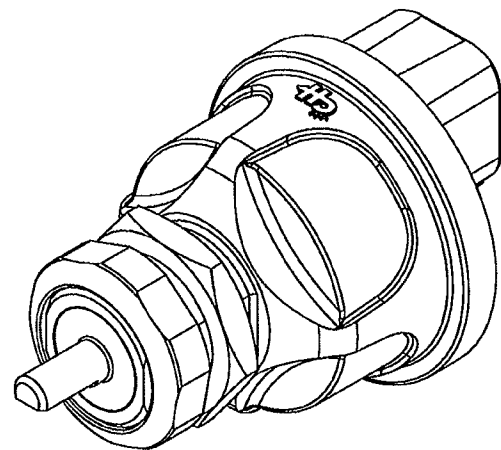
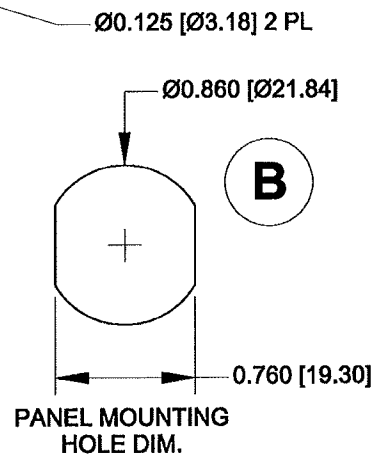
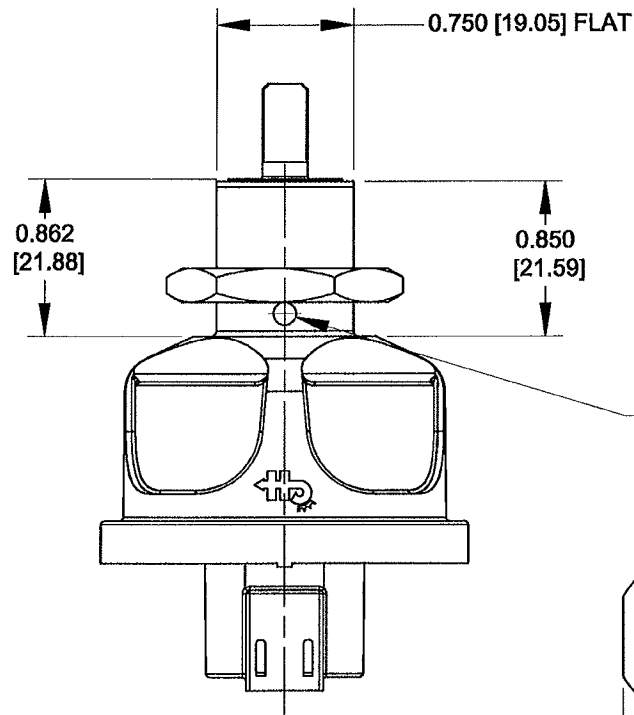
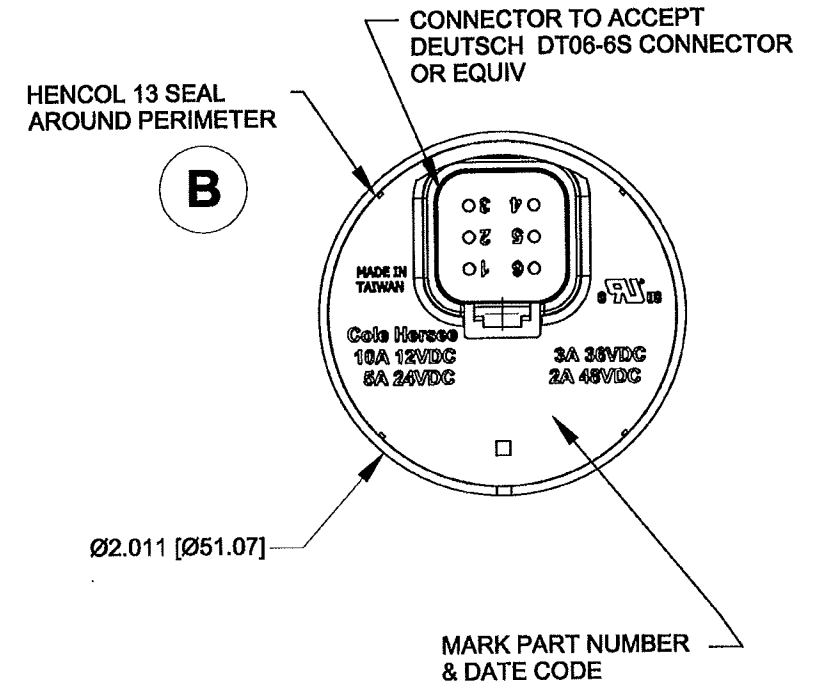
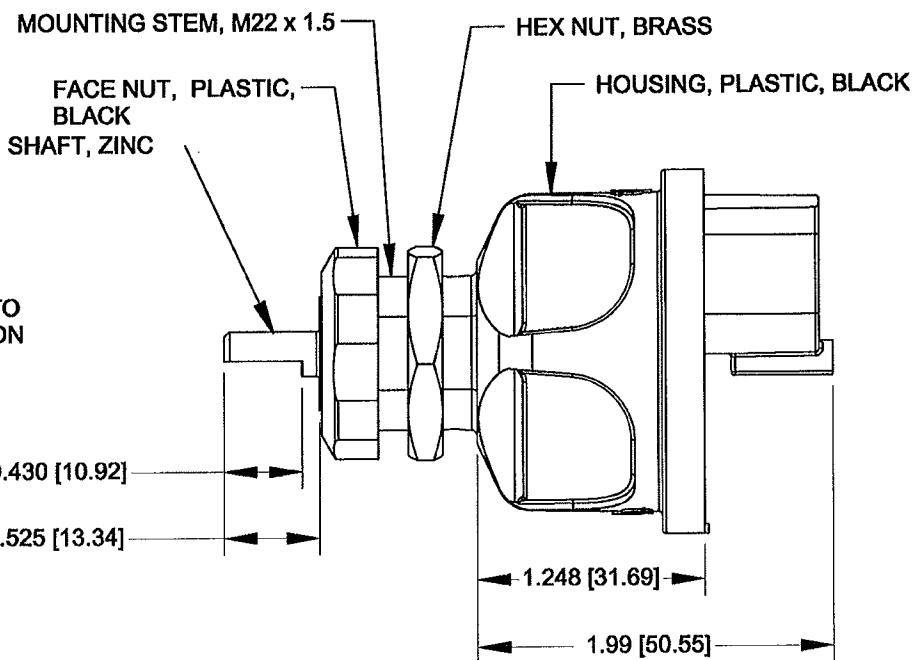
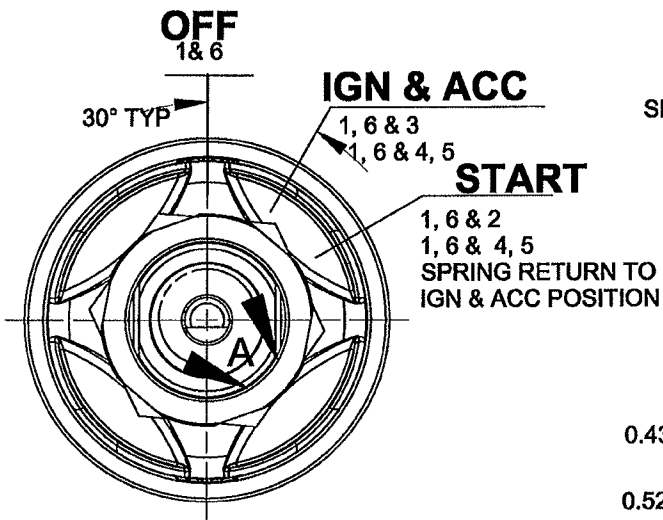


- NOTES:
1. TOLERANCES PLUS OR MINUS 0.015 [0.38]
 2. CONTACT AREA SEALED TO IP67
 3. BACK OF SWITCH SEALED WHEN MATING CONNECTOR IS INSTALLED
 4. FOR RESISTIVE LOAD RATING SEE CHART OR BACK OF SWITCH
 5. FOR PIN LOCATIONS SEE CHART
 6. MATERIALS: HOUSING BLACK THERMOPLASTIC
INTERNAL STATIONARY CONTACTS COPPER
 7. SWITCH TESTED TO SAE J259, UL RECOGNIZED TO UL 1054
 8. SW. MUST NOT BREAK CIRCUIT OR BE DAMAGED IF TORQUED TO 15 IN-LBS [1.69Nm]
 9. IF THE APPLICATION MOUNTS THE SWITCH WITH THE LOCK CYLINDER OR LEVER APPROACHING VERTICAL, CONTACT THE FACTORY FOR AN APPLICATION REVIEW AND POTENTIAL ALTERNATE PRODUCTS BEFORE DESIGN IS SET.

PIN NUMBER	CIRCUIT	12VDC RESISTIVE LOAD
2	START	5 AMPS
3	ACCESSORY	10 AMPS
4 & 5	IGNITION	10 AMPS
1 & 6	BATTERY	

PINS 1 & 6 CONNECTED TOGETHER INTERNALLY
PINS 4 & 5 CONNECTED TOGETHER INTERNALLY

Revision Control Record				Revision Control Record				Tolerances Unless otherwise specifically noted, the following are default tolerances: * 2-place Decimal Dimensions +/- .02" * 3-place Decimal Dimensions +/- .005" * Angular Dimensions +/- 1.0 Deg. * Metric: Refer to equivalent English Dimension Tolerance >>> NOTE: All tolerances are Non-Cumulative. <<< Dimensional Units All dimensions are expressed in inches except those shown in brackets (xxx) are expressed in millimeters *REF. or an Asterisk (*) = Non-Toleranced Reference Dimension, shown for clarification purposes only. PROPRIETARY INFORMATION This Engineering Drawing, and the information contained herein, is proprietary to Cole Hersee Company and may not be disclosed, re-produced, or in any other way transferred or communicated to any other party without the express written consent of an authorized representative of Cole Hersee Company. DESIGN CONTROL It is the responsibility of the individual using / referencing this drawing to assure that the noted design revision level agrees with the revision level of the Controlled Document (Master Drawing). This is a NON-CONTROLLED DOCUMENT unless otherwise specifically noted. DO NOT SCALE - Dimensional variation may occur during printing / reproduction. Special Characteristics: CC Critical Characteristic, relating to Safety and/or Regulatory Compliance X Significant Characteristic relating to Process Control (SPC) KC Control Dimension relating to Form - Fit - Function as defined by Cole Hersee Company and/or the Customer (Note that the identification of any Characteristics as being "Special" does not alter the requirement that ALL specified dimensions & tolerances must be met.) Cole Hersee Co. 20 Old Colony Ave., South Boston, MA, 02127 Phn: 617-268-2100 Web: www.colehersee.com Description: SW, ROT, 4POS, PLSTC Drawing / Part No.: 95062 Current Rev.: B
Rev.	Description of Change	ECN No.	Date	Rev.	Description of Change	ECN No.	Date	
A	RELEASED TO PRODUCTION	12168	3/14/12					
B	ADDED HENCOL 13; ADDED TORQUE NOTE	13177	06/28/13					



NOTES:

- TOLERANCES PLUS OR MINUS 0.015 [0.38]
- CONTACT AREA SEALED TO IP67
- BACK OF SWITCH SEALED WHEN MATING CONNECTOR IS INSTALLED
- FOR RESISTIVE LOAD RATING SEE CHART OR BACK OF SWITCH
- FOR PIN LOCATIONS SEE CHART
- MATERIALS: HOUSING BLACK THERMOPLASTIC
INTERNAL STATIONARY CONTACTS COPPER
- SWITCH TESTED TO SAE J259, UL RECOGNIZED TO UL 1054
- SW. MUST NOT BREAK CIRCUIT OR BE DAMAGED IF TORQUED TO 15 IN-LBS [1.69Nm]
- IF THE APPLICATION MOUNTS THE SWITCH WITH THE LOCK CYLINDER OR LEVER APPROACHING VERTICAL, CONTACT THE FACTORY FOR AN APPLICATION REVIEW AND POTENTIAL ALTERNATE PRODUCTS BEFORE DESIGN IS SET.

PIN NUMBER	CIRCUIT	12VDC RESISTIVE LOAD
2	START	5 AMPS
3	ACCESSARY	10 AMPS
4 & 5	IGNITION	10 AMPS
1 & 6	BATTERY	

PINS 1 & 6 CONNECTED TOGETHER INTERNALLY
PINS 4 & 5 CONNECTED TOGETHER INTERNALLY

Revision Control Record				Revision Control Record			
Rev.	Description of Change	ECN No.	Date	Rev.	Description of Change	ECN No.	Date
A	RELEASED TO PRODUCTION	12169	3/14/12				
B	ADDED HENCOL 13; ADDED TORQUE NOTE	13177	6/28/13				

Tolerances Unless otherwise specifically noted, the following are default tolerances:
 * 2-place Decimal Dimensions +/- .02"
 * 3-place Decimal Dimensions +/- .005"
 * Angular Dimensions +/- 1.0 Deg.
 * Metric: Refer to equivalent English Dimension Tolerance
 >>> NOTE: All tolerances are Non-Cumulative. <<<

Dimensional Units All dimensions are expressed in inches except those shown in brackets (mm) are expressed in millimeters

"REF." or an Asterisk (*) = Non-Toleranced Reference Dimension, shown for clarification purposes only.

PROPRIETARY INFORMATION This Engineering Drawing, and the information contained herein, is proprietary to Cole Hersee Company and may not be disclosed, re-produced, or in any other way transferred or communicated to any other party without the express written consent of an authorized representative of Cole Hersee Company.

DESIGN CONTROL It is the responsibility of the individual using / referencing this drawing to assure that the noted design revision level agree with the revision level of the Controlled Document (Master Drawing). This is a NON-CONTROLLED DOCUMENT unless otherwise specifically noted.

DO NOT SCALE - Dimensional variation may occur during printing / reproduction.

Special Characteristics:

- Critical Characteristic, relating to Safety and/or Regulatory Compliance
- Significant Characteristic relating to Process Control (SPC)
- Control Dimension relating to Form - Fit - Function as defined by Cole Hersee Company and/or the Customer

(Note that the identification of any Characteristics as being "Special" does not alter the requirement that ALL specified dimensions & tolerances must be met.)

Used On or Ref.: Scale: 1:1
 Drawn By: PMV Date Drawn: 4/27/12
 Responsible Engineer: JT

Cole Hersee Co.
 20 Old Colony Ave., South Boston, MA, 02127
 Phone: 617-268-2100 Web: www.colehersee.com

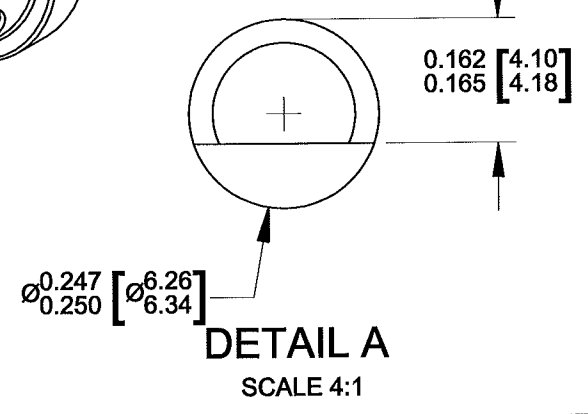
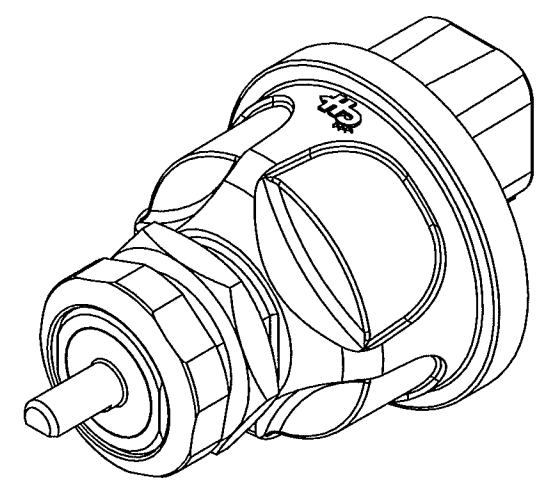
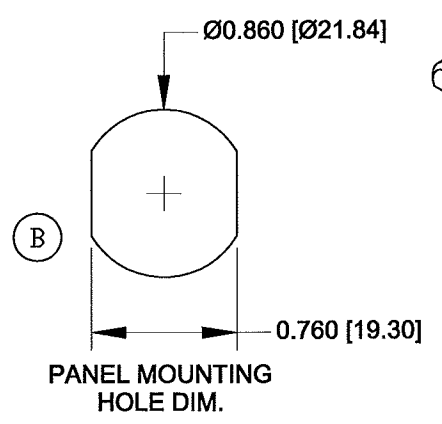
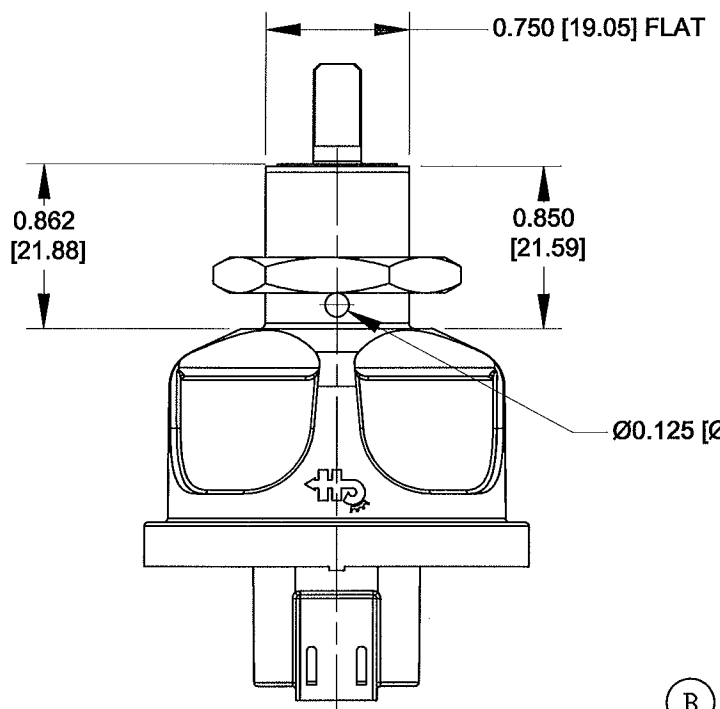
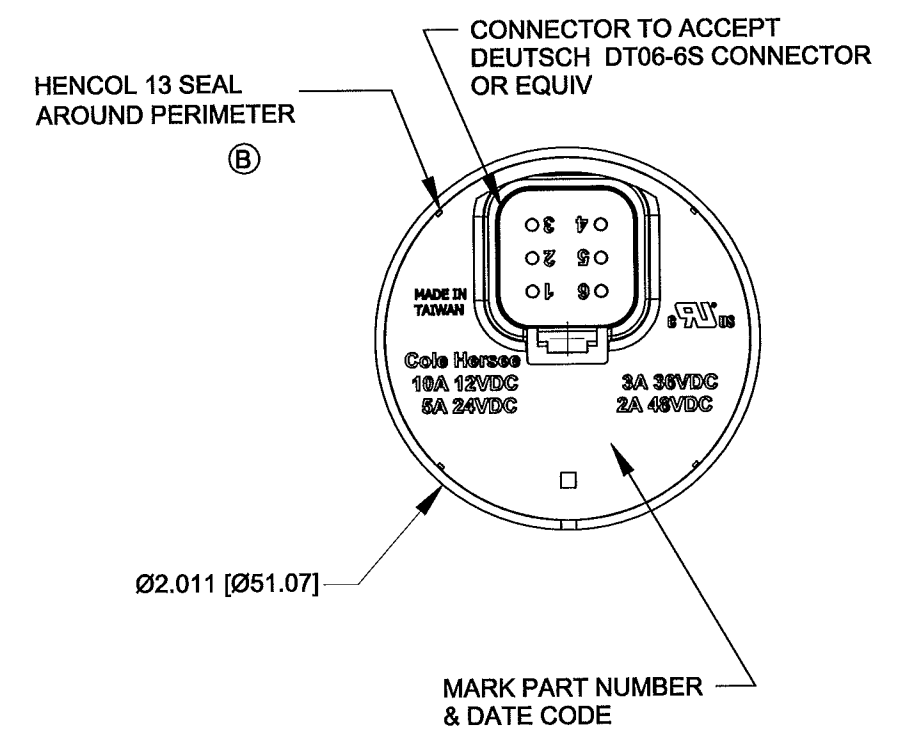
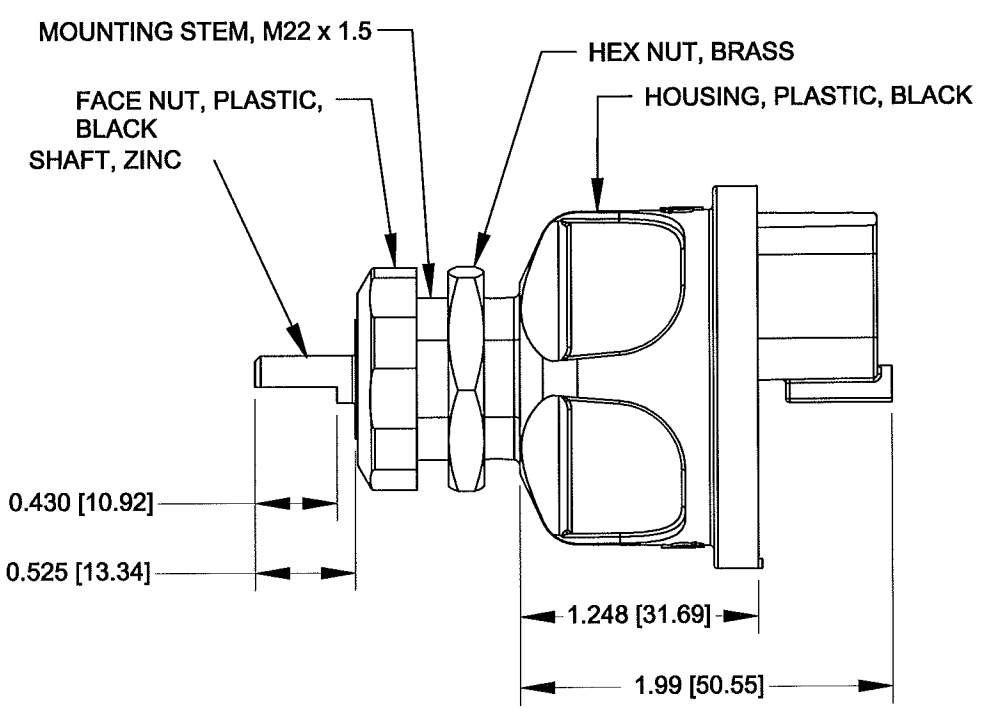
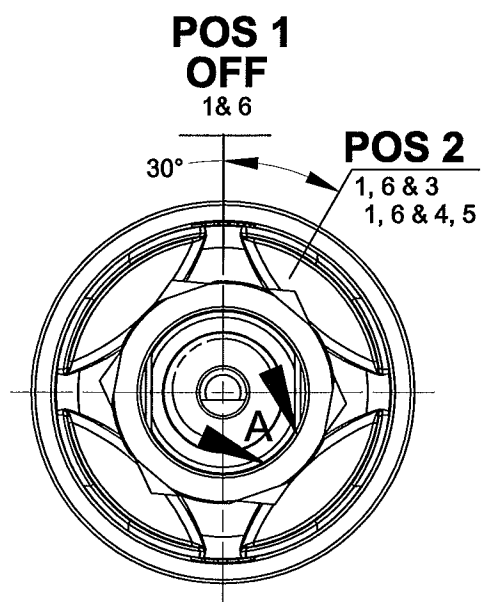
Description:
SW, ROT, 3POS, PLSTC

Drawing / Part No.: **95062-03**

Current Rev.: **B**

Created using Autocad Inventor

4 3 2 1



- NOTES:
- TOLERANCES PLUS OR MINUS 0.015 [0.38]
 - CONTACT AREA SEALED TO IP67
 - BACK OF SWITCH SEALED WHEN MATING CONNECTOR IS INSTALLED
 - FOR RESISTIVE LOAD RATING SEE CHART OR BACK OF SWITCH
 - MATERIALS: HOUSING BLACK THERMOPLASTIC
INTERNAL STATIONARY CONTACTS COPPER
 - SWITCH TESTED TO SAE J259, UL RECOGNIZED TO UL 1054
 - IF THE APPLICATION MOUNTS THE SWITCH WITH THE LOCK CYLINDER OR LEVER APPROACHING VERTICAL, CONTACT THE FACTORY FOR AN APPLICATION REVIEW AND POTENTIAL ALTERNATE PRODUCTS BEFORE DESIGN IS SET.
 - SW. MUST NOT BREAK CIRCUIT OR BE DAMAGED IF TORQUED TO 15 IN-LBS [1.69Nm]

PIN NUMBER	CIRCUIT	12VDC RESISTIVE LOAD
2	START	5 AMPS
3	ACCESSORY	10 AMPS
4 & 5	IGNITION	10 AMPS
1 & 6	BATTERY	

PINS 1 & 6 CONNECTED TOGETHER INTERNALLY
PINS 4 & 5 CONNECTED TOGETHER INTERNALLY

Revision Control Record				Revision Control Record			
Rev.	Description of Change	ECN No.	Date	Rev.	Description of Change	ECN No.	Date
A	RELEASED TO PRODUCTION	12170	3/14/12				
B	ADDED HENCOL 13	13177	6/28/13				

Tolerances Unless otherwise specifically noted, the following are default tolerances:
 • 2-place Decimal Dimensions +/- .02"
 • 3-place Decimal Dimensions +/- .005"
 • Angular Dimensions +/- 1.0 Deg.
 • Metric: Refer to equivalent English Dimension Tolerance
 >>> NOTE: All tolerances are Non-Cumulative. <<<

Dimensional Units All dimensions are expressed in inches except those shown in brackets (xxx) are expressed in millimeters

REF. or an Asterisk (*) = Non-Toleranced Reference Dimension, shown for clarification purposes only.

PROPRIETARY INFORMATION This Engineering Drawing, and the information contained herein, is proprietary to Cole Hersee Company and may not be disclosed, re-produced, or in any other way transferred or communicated to any other party without the express written consent of an authorized representative of Cole Hersee Company.

DESIGN CONTROL It is the responsibility of the individual using / referencing this drawing to assure that the noted design revision level agrees with the revision level of the Controlled Document (Master Drawing). This is a NON-CONTROLLED DOCUMENT unless otherwise specifically noted.

DO NOT SCALE - Dimensional variation may occur during printing / reproduction.

Special Characteristics:

- Critical Characteristic, relating to Safety and/or Regulatory Compliance
- Significant Characteristic relating to Process Control (SPC)
- Control Dimension relating to Form - Fit - Function as defined by Cole Hersee Company and/or the Customer

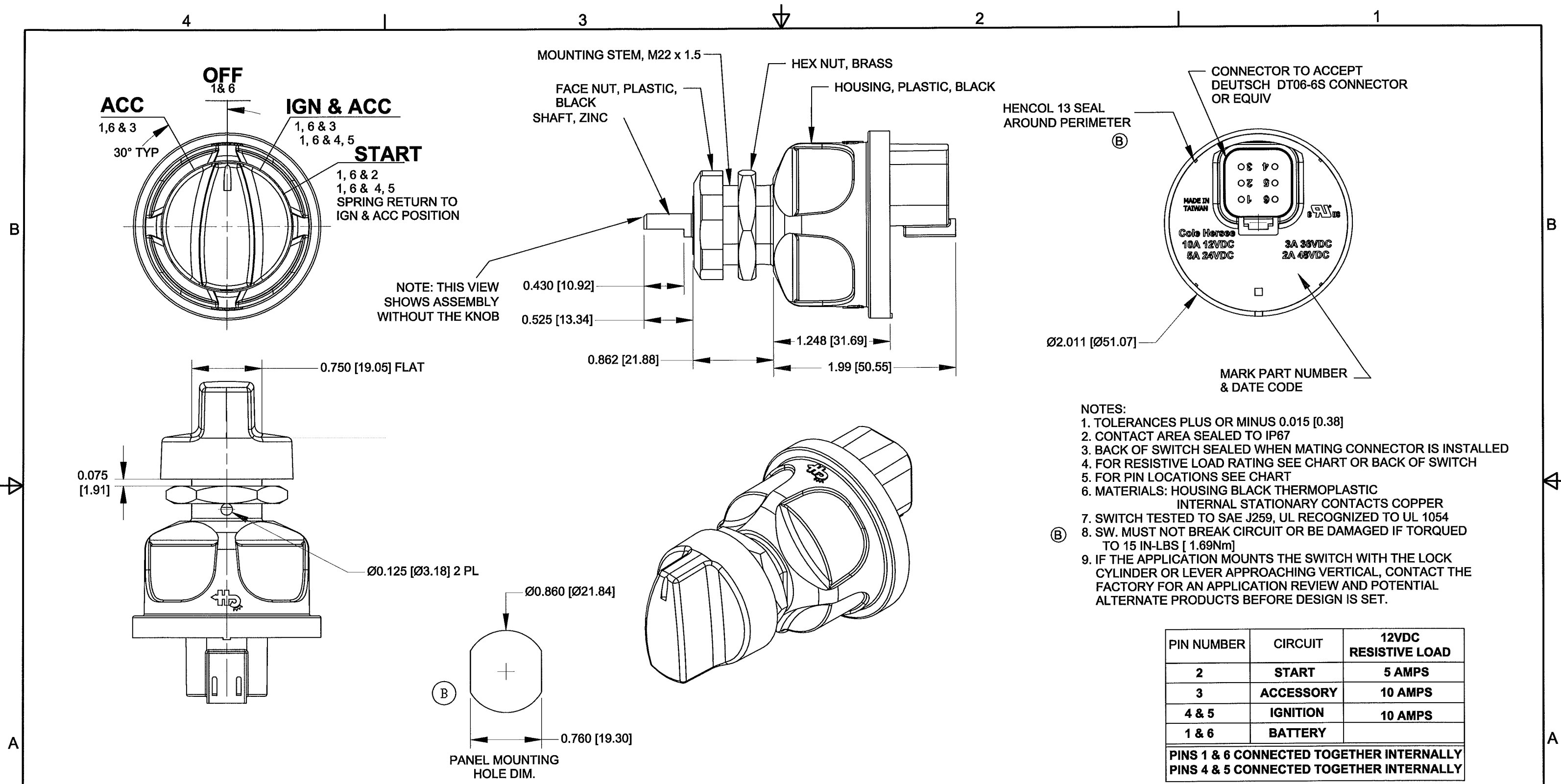
(Note that the identification of any Characteristics as being "Special" does not alter the requirement that ALL specified dimensions & tolerances must be met.)

Cole Hersee Co.
 20 Old Colony Ave., South Boston, MA, 02127
 Phn: 617-268-2100 Web: www.colehersee.com

Description:
SW, ROT, 2POS, PLSTC

Drawing / Part No.: 95062-07

Current Rev.: B



Revision Control Record			
Rev.	Description of Change	ECN No.	Date
A	RELEASED TO PRODUCTION	12168	5/2/12
B	ADDED HENCOL 13; ADDED TORQUE NOTE	13177	06/28/13

Revision Control Record			
Rev.	Description of Change	ECN No.	Date

Tolerances Unless otherwise specifically noted, the following are default tolerances:
 • 2-place Decimal Dimensions +/- .02"
 • 3-place Decimal Dimensions +/- .005"
 • Angular Dimensions +/- 1.0 Deg.
 • Metric: Refer to equivalent English Dimension Tolerance
 >>> NOTE: All tolerances are Non-Cumulative. <<<

Dimensional Units All dimensions are expressed in inches except those shown in brackets (xxx) are expressed in millimeters

REF. or an Asterisk () = Non-Toleranced Reference Dimension, shown for clarification purposes only.

PROPRIETARY INFORMATION This Engineering Drawing, and the information contained herein, is proprietary to Cole Hersee Company and may not be disclosed, re-produced, or in any other way transferred or communicated to any other party without the express written consent of an authorized representative of Cole Hersee Company.

DESIGN CONTROL It is the responsibility of the Individual using / referencing this drawing to assure that the noted design revision level agrees with the revision level of the Controlled Document (Master Drawing). This is a NON-CONTROLLED DOCUMENT unless otherwise specifically noted.

DO NOT SCALE - Dimensional variation may occur during printing / reproduction.

Used On or Ref.: Scale: 1:1
 Drawn By: PMV Date Drawn: 5/2/12
 Responsible Engineer: JT

Special Characteristics:

- CC Critical Characteristic, relating to Safety and/or Regulatory Compliance
- X Significant Characteristic relating to Process Control (SPC)
- KC Control Dimension relating to Form - Fit - Function as defined by Cole Hersee Company and/or the Customer

(Note that the identification of any Characteristics as being "Special" does not alter the requirement that ALL specified dimensions & tolerances must be met.)

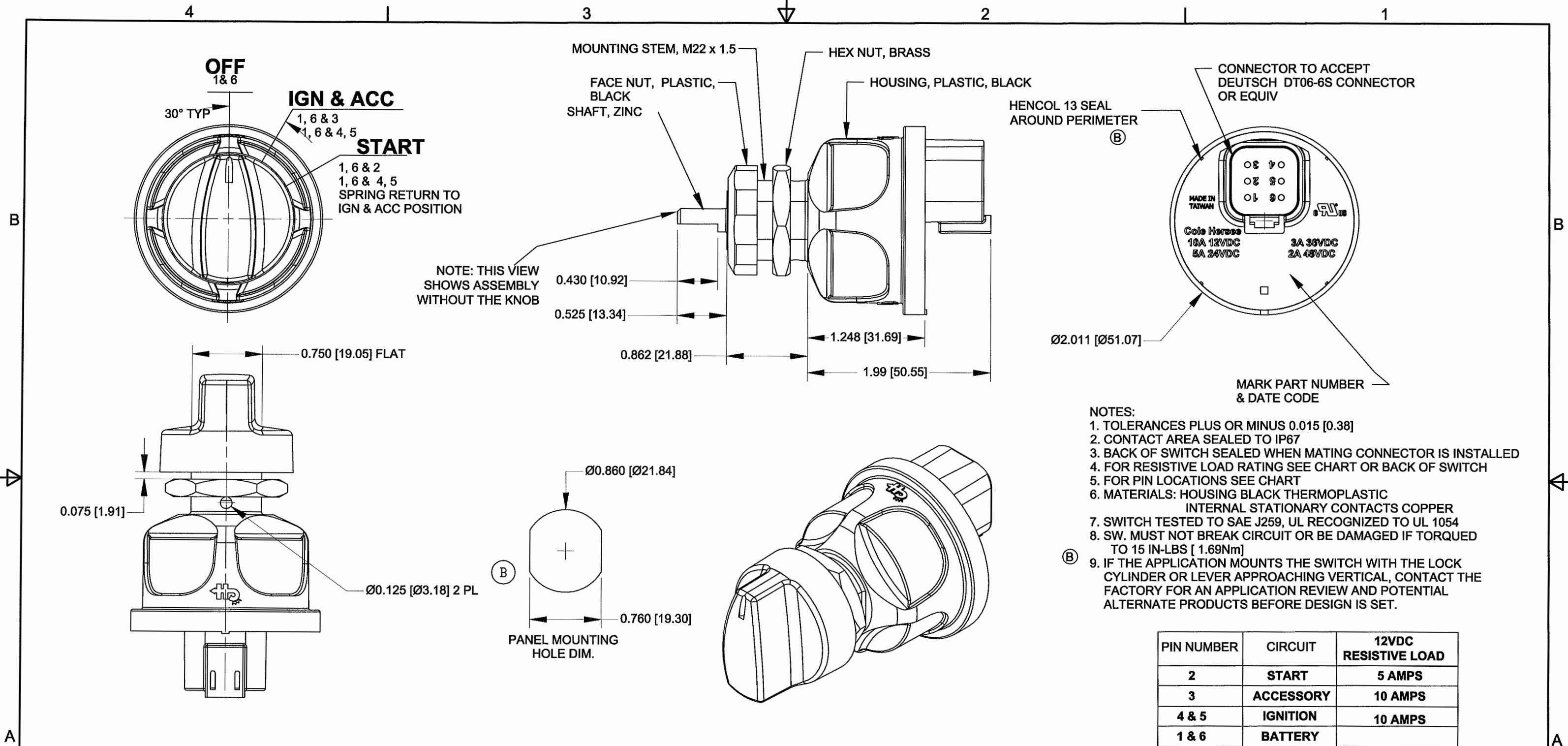
PAGE 1
Created using Autocad Inventor

Cole Hersee Co.
 20 Old Colony Ave., South Boston, MA, 02127
 Phn: 617-268-2100 Web: www.colehersee.com

Description:
SW, ROT, 4POS, KNOB

Drawing / Part No.: 95062-10

Current Rev.: B



- NOTES:
1. TOLERANCES PLUS OR MINUS 0.015 [0.38]
 2. CONTACT AREA SEALED TO IP67
 3. BACK OF SWITCH SEALED WHEN MATING CONNECTOR IS INSTALLED
 4. FOR RESISTIVE LOAD RATING SEE CHART OR BACK OF SWITCH
 5. FOR PIN LOCATIONS SEE CHART
 6. MATERIALS: HOUSING BLACK THERMOPLASTIC
INTERNAL STATIONARY CONTACTS COPPER
 7. SWITCH TESTED TO SAE J259, UL RECOGNIZED TO UL 1054
 8. SW. MUST NOT BREAK CIRCUIT OR BE DAMAGED IF TORQUED TO 15 IN-LBS [1.69Nm]
 9. IF THE APPLICATION MOUNTS THE SWITCH WITH THE LOCK CYLINDER OR LEVER APPROACHING VERTICAL, CONTACT THE FACTORY FOR AN APPLICATION REVIEW AND POTENTIAL ALTERNATE PRODUCTS BEFORE DESIGN IS SET.

PIN NUMBER	CIRCUIT	12VDC RESISTIVE LOAD
2	START	5 AMPS
3	ACCESSORY	10 AMPS
4 & 5	IGNITION	10 AMPS
1 & 6	BATTERY	

PINS 1 & 6 CONNECTED TOGETHER INTERNALLY
PINS 4 & 5 CONNECTED TOGETHER INTERNALLY

Revision Control Record			
Rev.	Description of Change	ECN No.	Date
A	RELEASED TO PRODUCTION	12169	5/2/12
B	ADDED HENCOL 13; ADDED TORQUE NOTE	13178	6/28/13

Revision Control Record			
Rev.	Description of Change	ECN No.	Date

Tolerances Unless otherwise specifically noted, the following are default tolerances:
 * 2-place Decimal Dimensions +/- .02"
 * 3-place Decimal Dimensions +/- .005"
 * Angular Dimensions +/- 1.0 Deg.
 * Metric: Refer to equivalent English Dimension Tolerance
 >>> NOTE: All tolerances are Non-Cumulative. <<<

Dimensional Units All dimensions are expressed in inches except those shown in brackets (xxx) are expressed in millimeters

REF. or an Asterisk () = Non-Toleranced Reference Dimension, shown for clarification purposes only.

PROPRIETARY INFORMATION This Engineering Drawing, and the information contained herein, is proprietary to Cole Hersee Company and may not be disclosed, re-produced, or in any other way transferred or communicated to any other party without the express written consent of an authorized representative of Cole Hersee Company.

DESIGN CONTROL It is the responsibility of the individual using / referencing this drawing to assure that the noted design revision level agrees with the revision level of the Controlled Document (Master Drawing). This is a NON-CONTROLLED DOCUMENT unless otherwise specifically noted.

DO NOT SCALE - Dimensional variation may occur during printing / reproduction.

Special Characteristics:

- CC Critical Characteristic, relating to Safety and/or Regulatory Compliance
- X Significant Characteristic relating to Process Control (SPC)
- KC Control Dimension relating to Form - Fit - Function as defined by Cole Hersee Company and/or the Customer

(Note that the Identification of any Characteristics as being "Special" does not alter the requirement that ALL specified dimensions & tolerances must be met.)

Cole Hersee Co.
 20 Old Colony Ave., South Boston, MA, 02127
 Phn: 617-268-2100 Web: www.colehersee.com

Description:
SW, ROT, 3POS, KNOB

Drawing / Part No.: 95062-13

Current Rev.: B

4 | 3 | 2 | 1

B

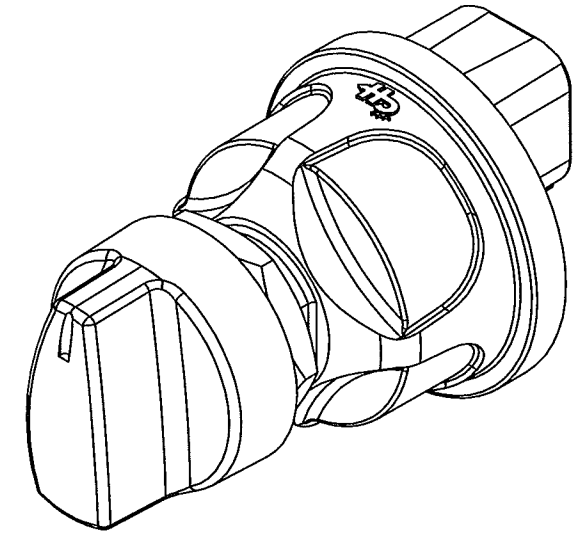
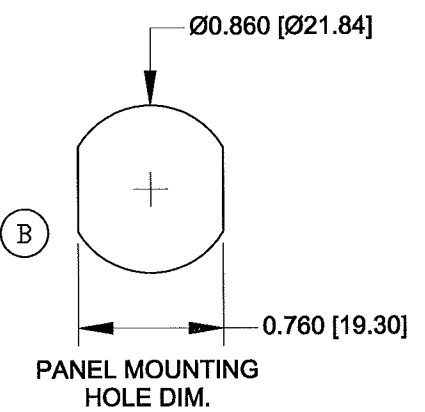
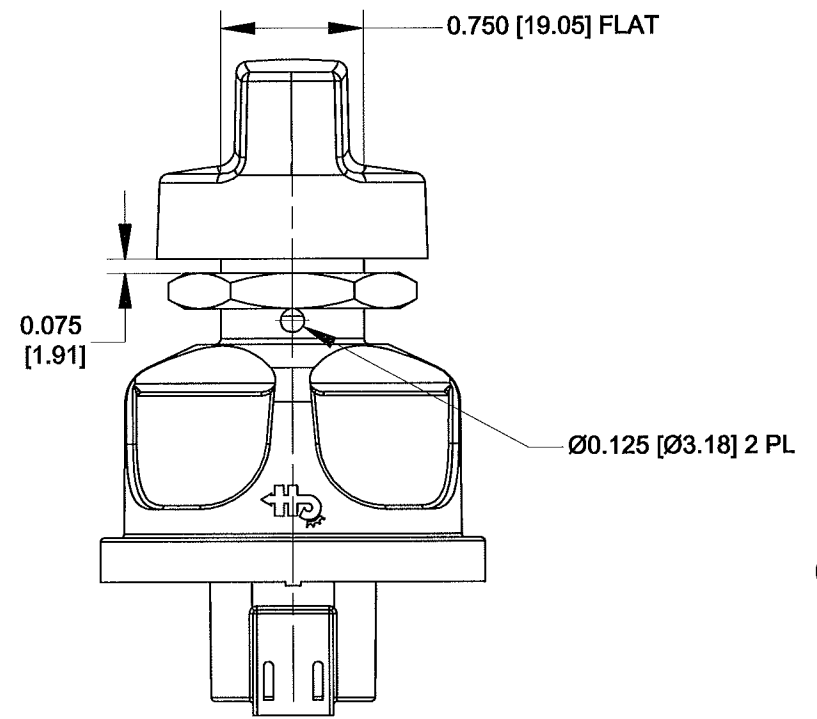
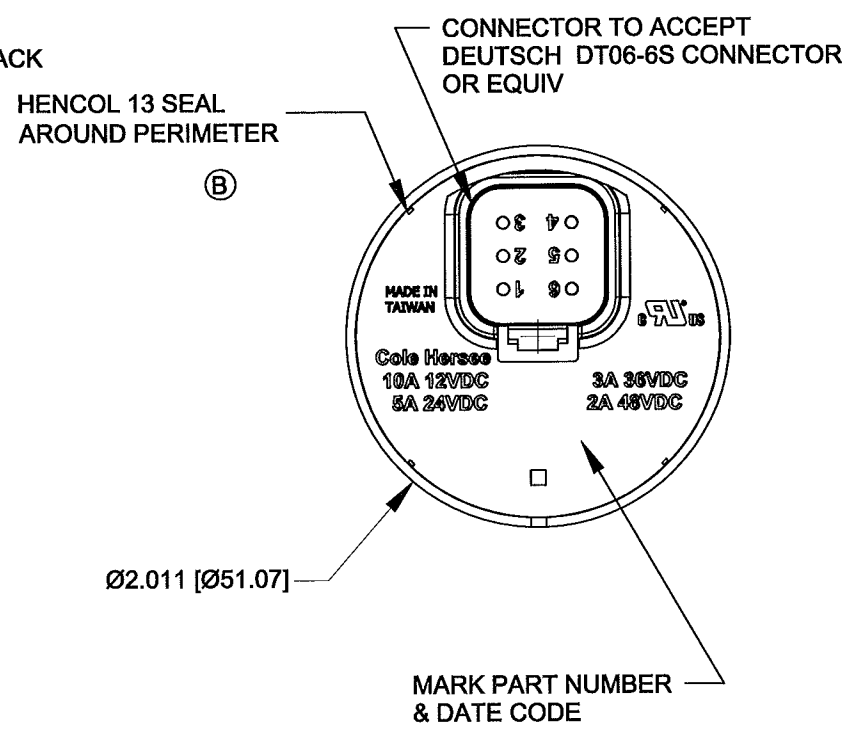
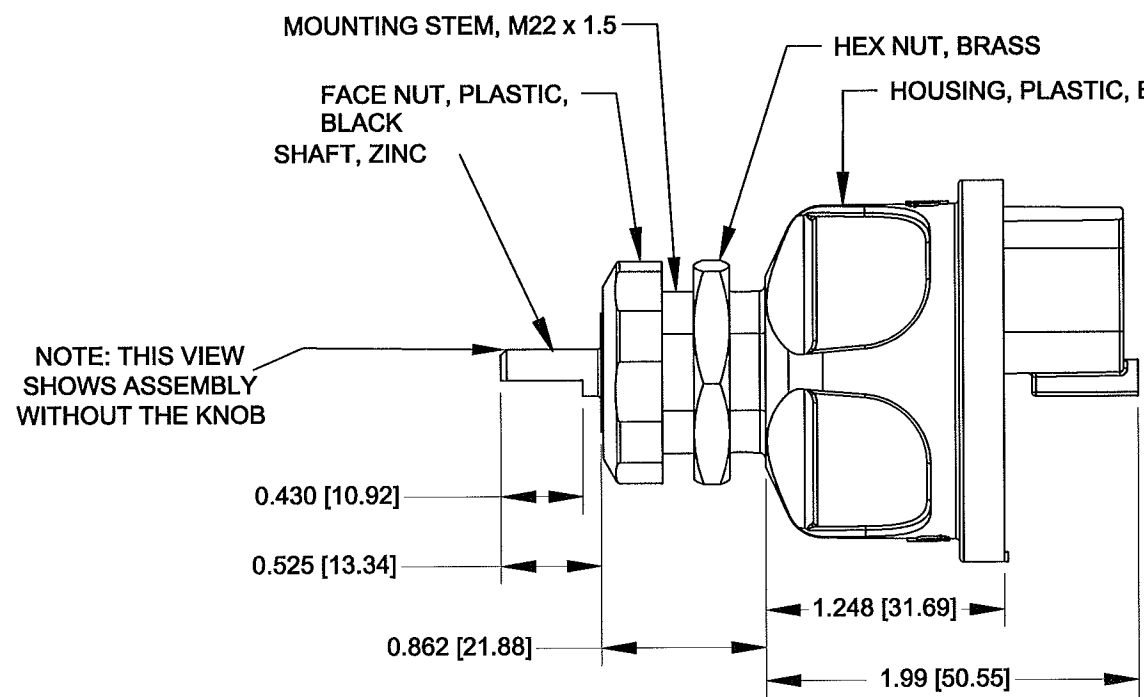
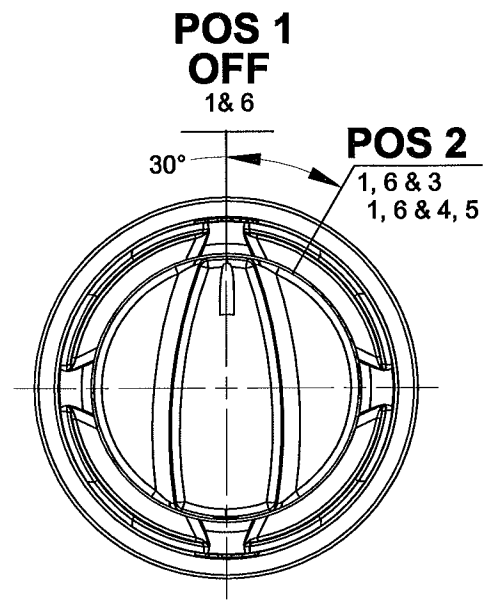
B

A

A

A

A



- NOTES:
1. TOLERANCES PLUS OR MINUS 0.015 [0.38]
 2. CONTACT AREA SEALED TO IP67
 3. BACK OF SWITCH SEALED WHEN MATING CONNECTOR IS INSTALLED
 4. FOR RESISTIVE LOAD RATING SEE CHART OR BACK OF SWITCH
 5. MATERIALS: HOUSING BLACK THERMOPLASTIC
INTERNAL STATIONARY CONTACTS COPPER
 6. SWITCH TESTED TO SAE J259, UL RECOGNIZED TO UL 1054
 7. IF THE APPLICATION MOUNTS THE SWITCH WITH THE LOCK CYLINDER OR LEVER APPROACHING VERTICAL, CONTACT THE FACTORY FOR AN APPLICATION REVIEW AND POTENTIAL ALTERNATE PRODUCTS BEFORE DESIGN IS SET.
 8. SW. MUST NOT BREAK CIRCUIT OR BE DAMAGED IF TORQUED TO 15 IN-LBS [1.69Nm]

PIN NUMBER	CIRCUIT	12VDC RESISTIVE LOAD
2	START	5 AMPS
3	ACCESSORY	10 AMPS
4 & 5	IGNITION	10 AMPS
1 & 6	BATTERY	

PINS 1 & 6 CONNECTED TOGETHER INTERNALLY
PINS 4 & 5 CONNECTED TOGETHER INTERNALLY

Revision Control Record				Revision Control Record			
Rev.	Description of Change	ECN No.	Date	Rev.	Description of Change	ECN No.	Date
A	RELEASED TO PRODUCTION	12170	5/2/12				
B	ADDED HENCOL 13	13178	6/28/13				

Tolerances Unless otherwise specifically noted, the following are default tolerances;
 * 2-place Decimal Dimensions +/- .02"
 * 3-place Decimal Dimensions +/- .005"
 * Angular Dimensions +/- 1.0 Deg.
 * Metric: Refer to equivalent English Dimension Tolerance
 >>> NOTE: All tolerances are Non-Cumulative. <<<

Dimensional Units All dimensions are expressed in inches except those shown in brackets (xxx) are expressed in millimeters

"REF." or an Asterisk (*) = Non-Toleranced Reference Dimension, shown for clarification purposes only.

Used On or Ref.: Scale: 1:1

PROPRIETARY INFORMATION This Engineering Drawing, and the information contained herein, is proprietary to Cole Hersee Company and may not be disclosed, re-produced, or in any other way transferred or communicated to any other party without the express written consent of an authorized representative of Cole Hersee Company.

DESIGN CONTROL It is the responsibility of the individual using / referencing this drawing to assure that the noted design revision level agrees with the revision level of the Controlled Document (Master Drawing). This is a NON-CONTROLLED DOCUMENT unless otherwise specifically noted.

DO NOT SCALE - Dimensional variation may occur during printing / reproduction.

Drawn By: PMV Date Drawn: 5/2/12

Special Characteristics:

- CC Critical Characteristic, relating to Safety and/or Regulatory Compliance
- X Significant Characteristic relating to Process Control (SPC)
- KC Control Dimension relating to Form - Fit - Function as defined by Cole Hersee Company and/or the Customer

(Note that the identification of any Characteristics as being "Special" does not alter the requirement that ALL specified dimensions & tolerances must be met.)

Responsible Engineer: JT PAGE 1 Created using Autocad Inventor

Cole Hersee Co.
 20 Old Colony Ave., South Boston, MA, 02127
 Phn: 617-268-2100 Web: www.colehersee.com

Description:
SW, ROT, 2POS, KNOB

Drawing / Part No.: **95062-17** Current Rev. **B**

4 | 3 | 2 | 1